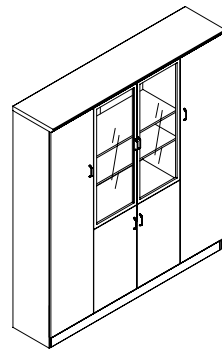
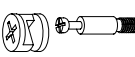


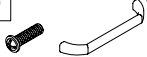
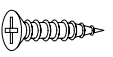

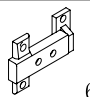
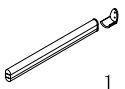


CABINET INSTRUCTIONS

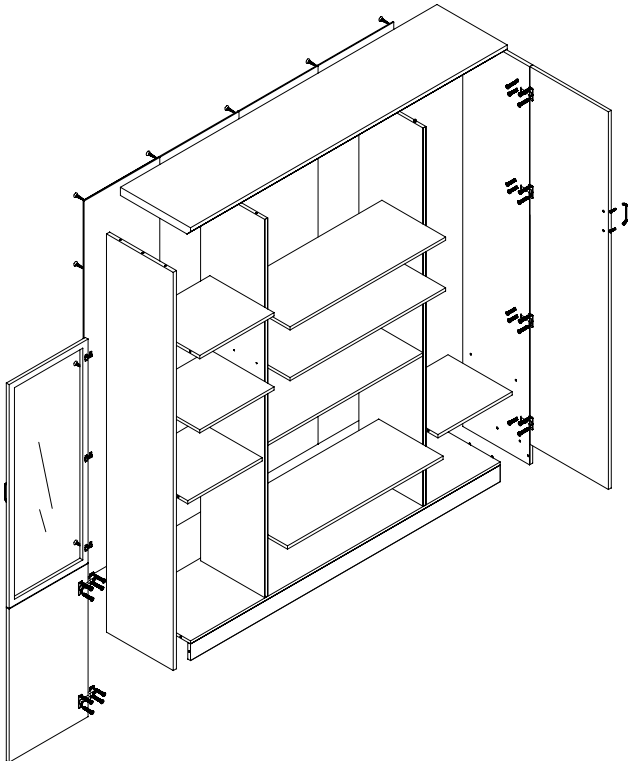
ITEM NO:XD-F04



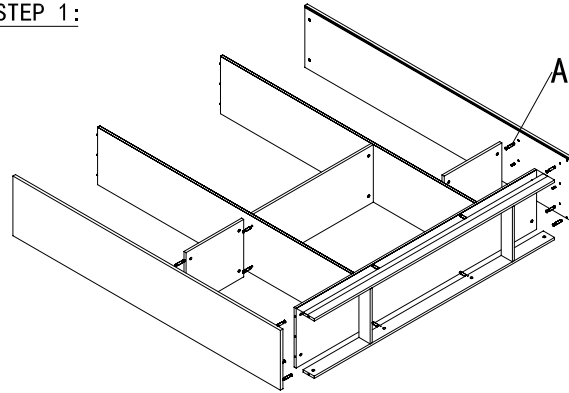
PARTS LIST:

A  44 pcs	B  20 pcs	C  20 pcs	D  6 pcs	E  112 pcs	F  12 pc
G  6 pcs	H  1 pc	I pc	G pc	K pc	L pc

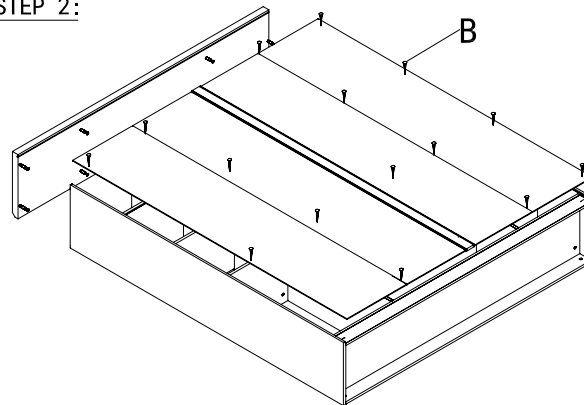
RESOLVE VIEW



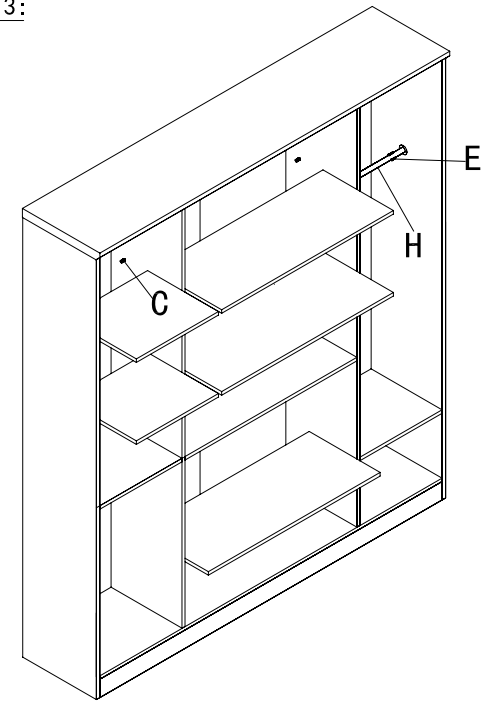
STEP 1:



STEP 2:



STEP 3:



STEP 4:

