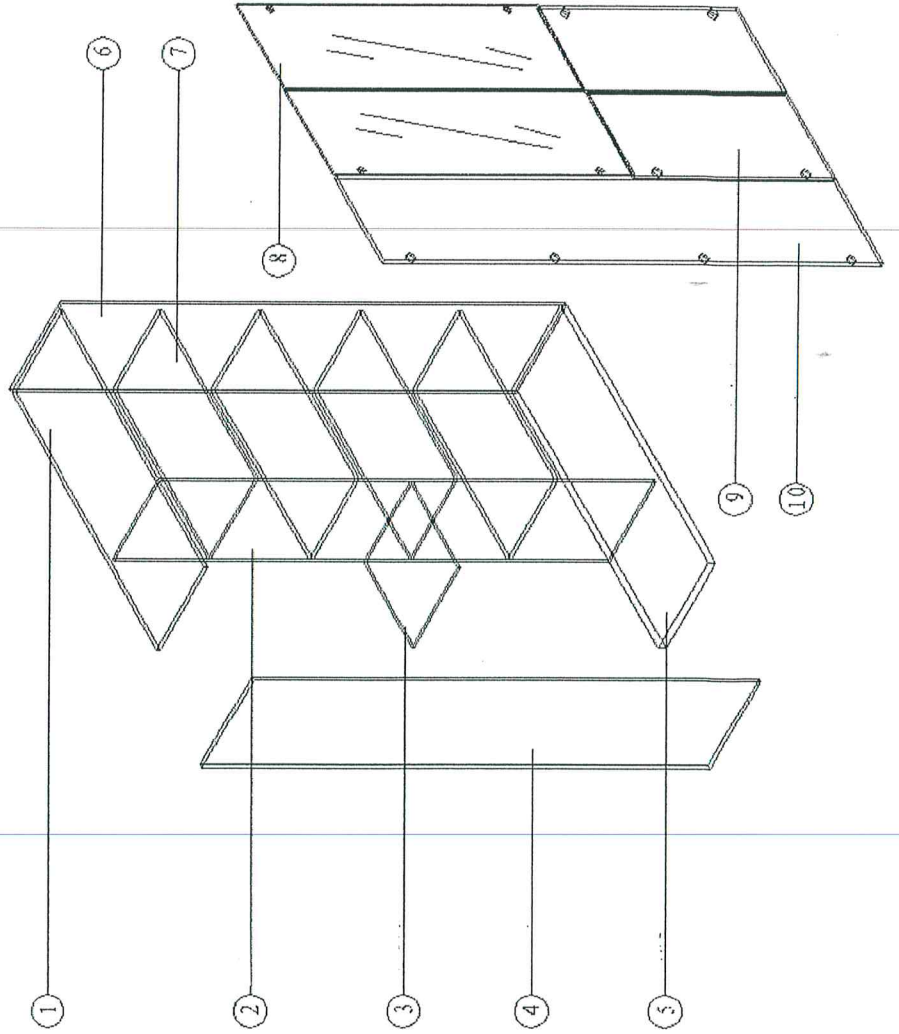
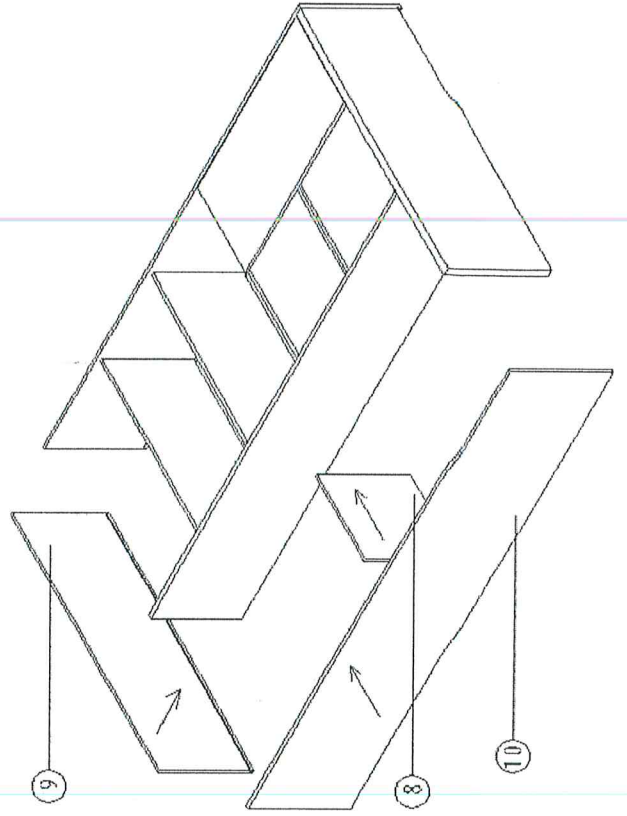
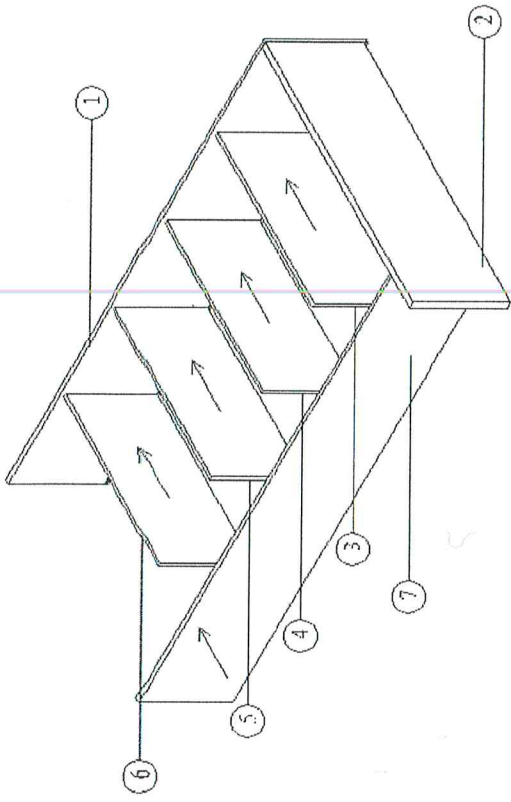
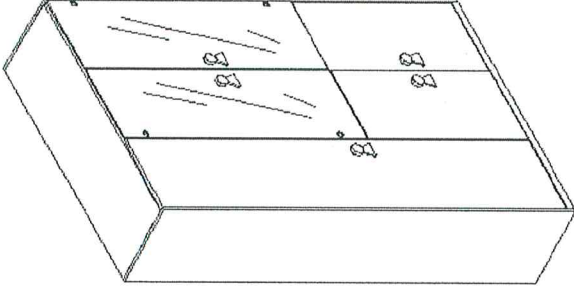
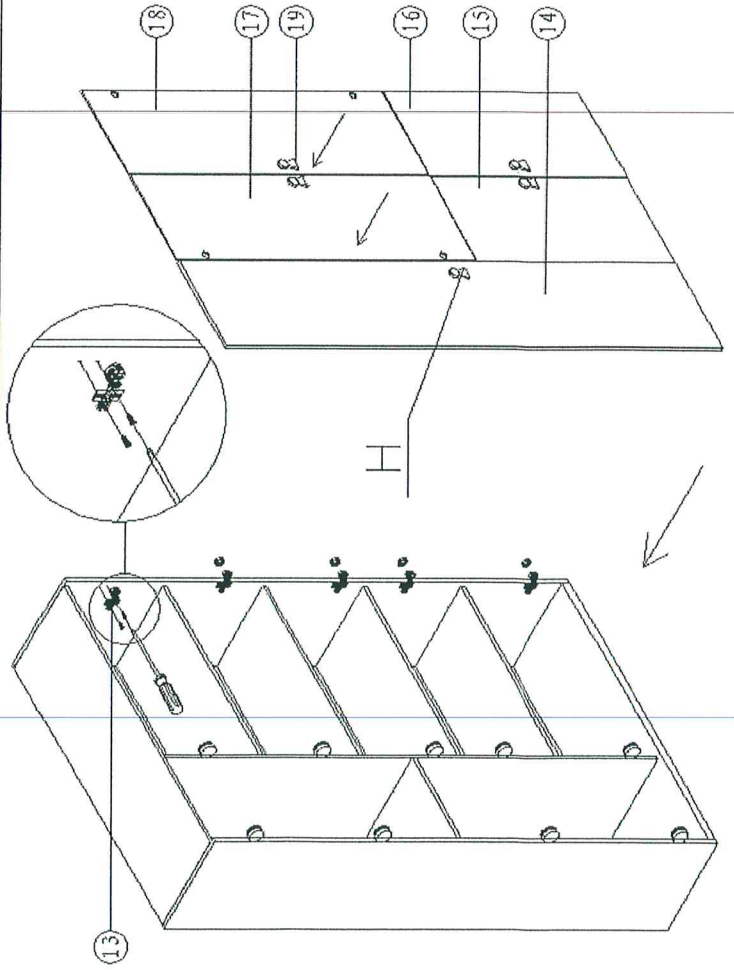
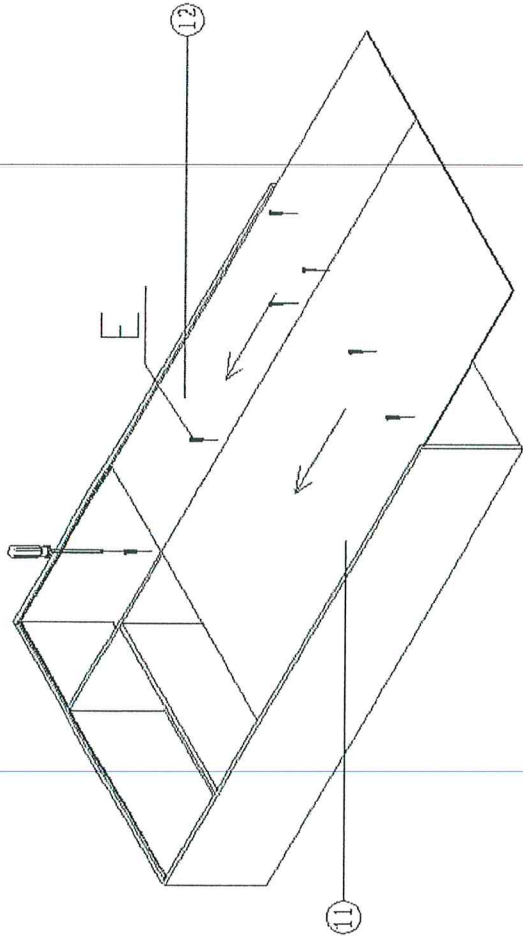









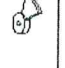


ГВ-09

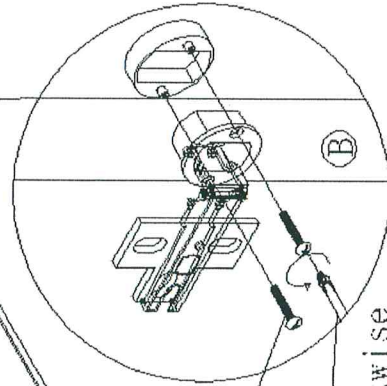
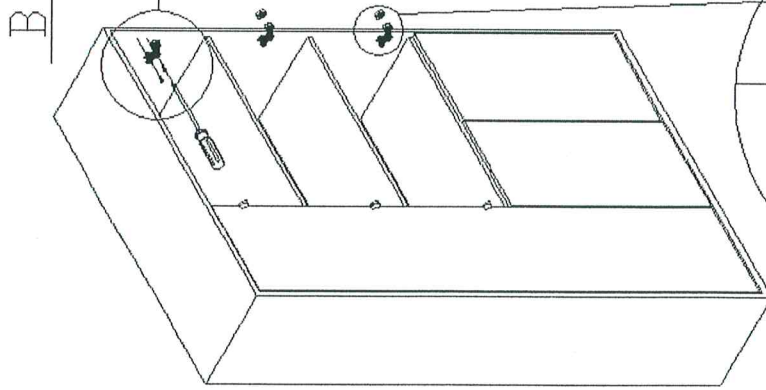
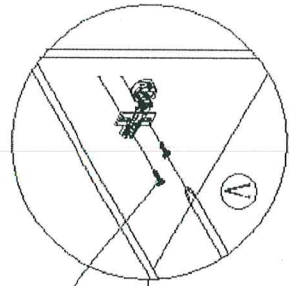
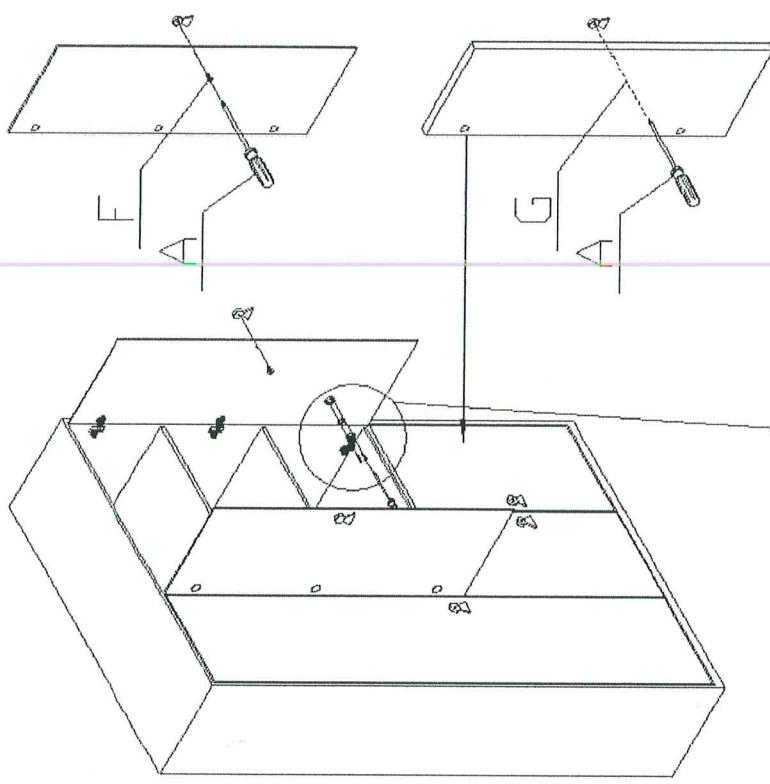
ГВ-09-А





PW-09



NO	DRAWING	DESCRIPTION	QTY
A			1PCS
B		M6*40	36PCS
C		Ø15*12	36PCS
D		M8*40	36PCS
E		M4*20	72PCS
F		M4*6	2PCS
G		M4*18	3PCS
H			5PCS
I			3PC
J			2PC
			3PC
			6PC



Counter-clockwise

NO	DRAWING	DESCRIPTION	QTY
A		+	1PCS
B		M4*16	28PCS

PW-09

