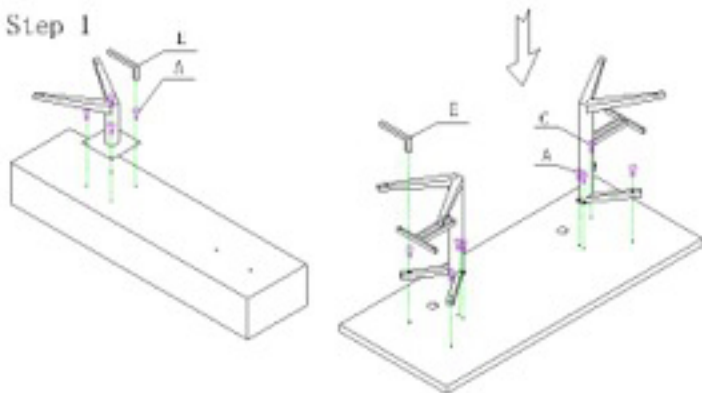
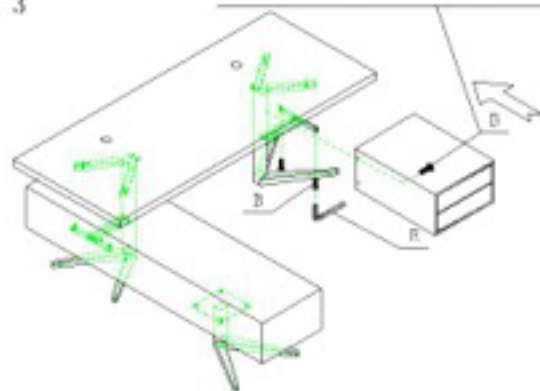


Step 1

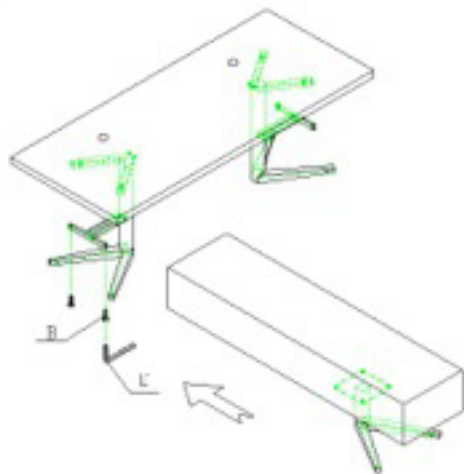


Step 3

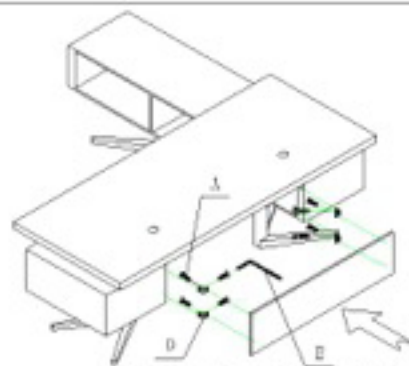
Install inside the cabinet completed



Step 2



Finish



F 01

NO	DRAWING	DESCRIPTION	QTY
A		M8*16	20PCS
B		M8*40	5PCS
C		M8*55	4PCS
D		40*10*30MM	4PCS
E		6MM	1PCS