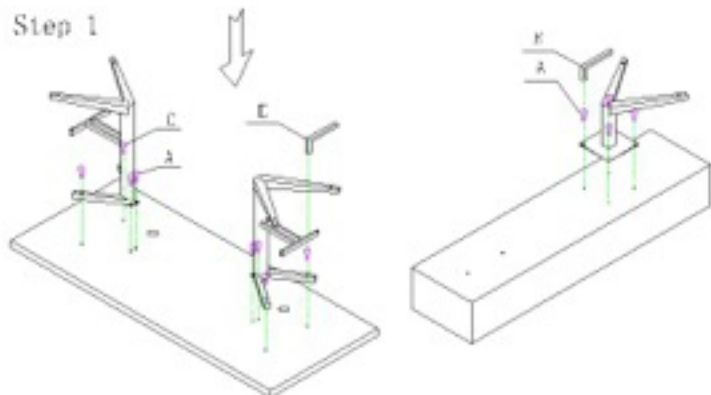
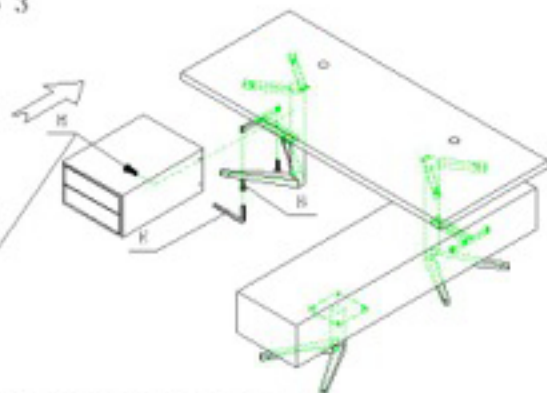


Step 1

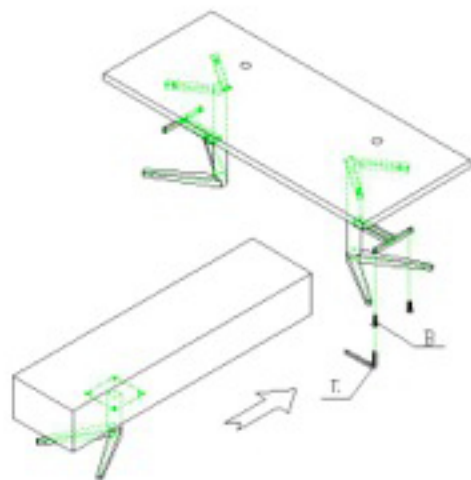


Step 3

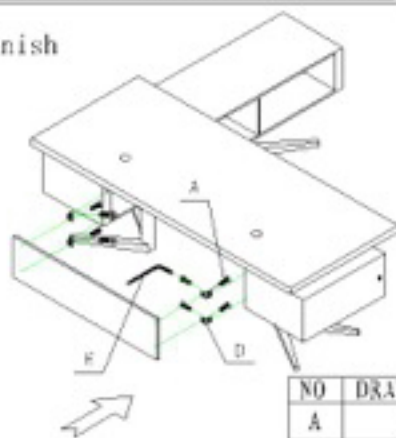


Install inside the cabinet completed

Step 2



Finish



F 01

NO	DRAWING	DESCRIPTION	QTY
A	!	M8*16	20PCS
B	!	M8*40	5PCS
C	!	M8*55	4PCS
D	!	40*40*30MM	4PCS
E	!	6MM	1PCS