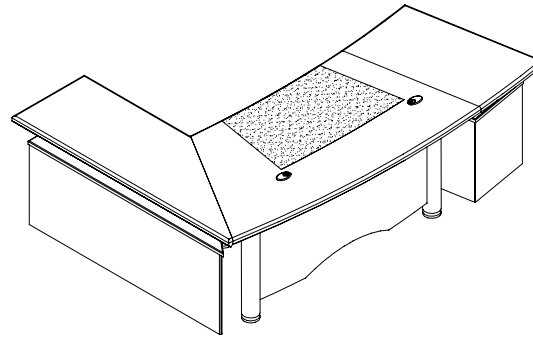


ASSEMBLY INSTRUCTIONS

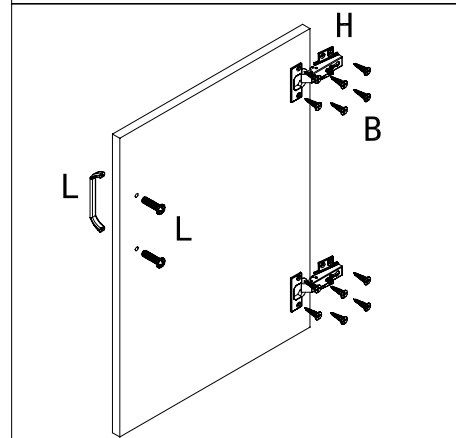
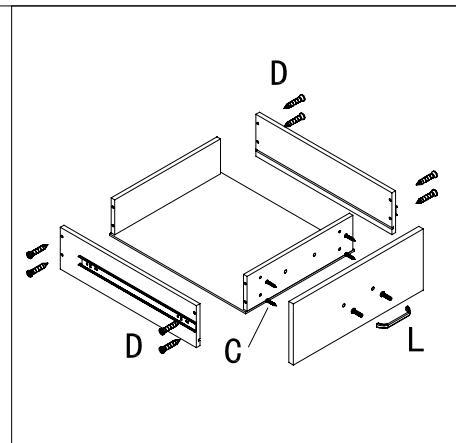
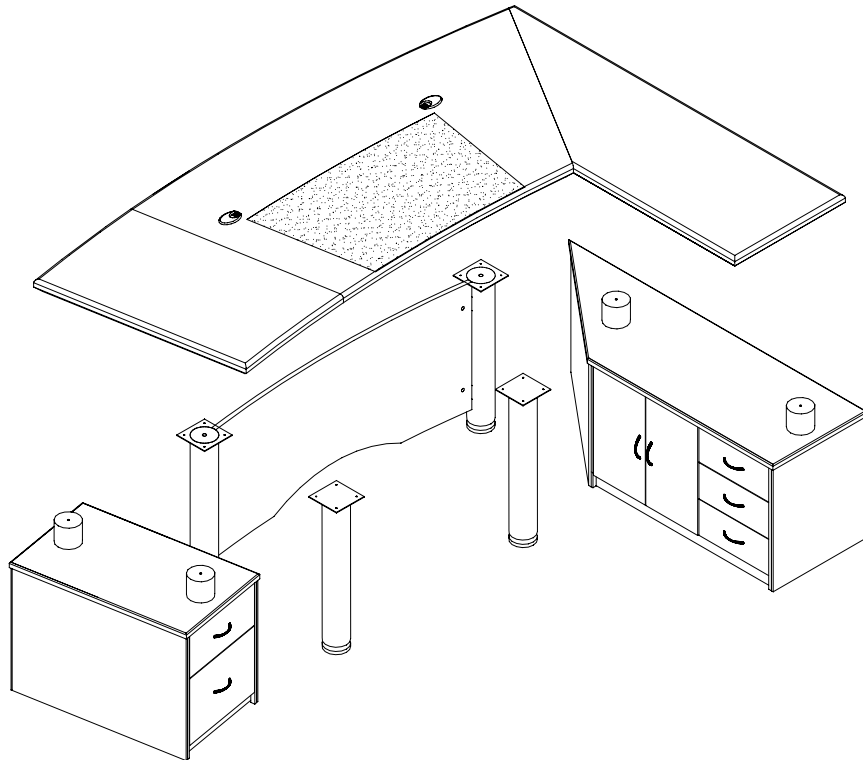
ITEM NO:T2633 (Right)



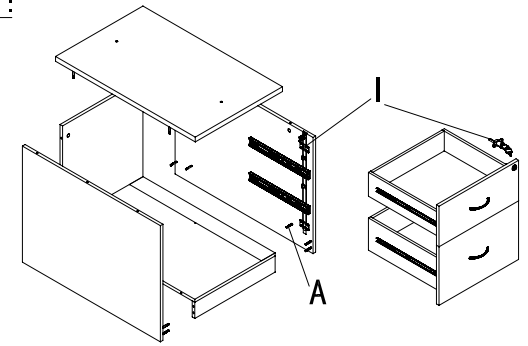
PARTS LIST:

A 38 pcs	B 20 pcs	C 80 pcs	D 40 pcs	E 4 pcs	F 4 pcs
G 4 pcs	H 2 pcs	I 1 pc	G 5 pcs	K 4 pcs	L 7 pcs

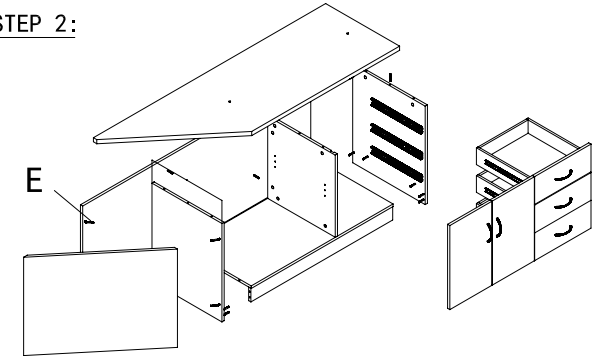
RESOLVE VIEW



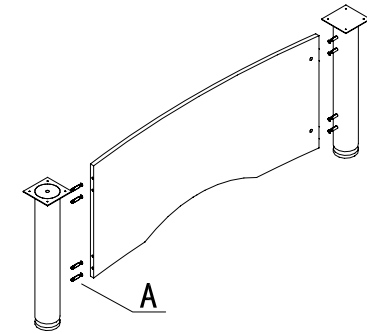
STEP 1:



STEP 2:



STEP 3:



STEP 4:

