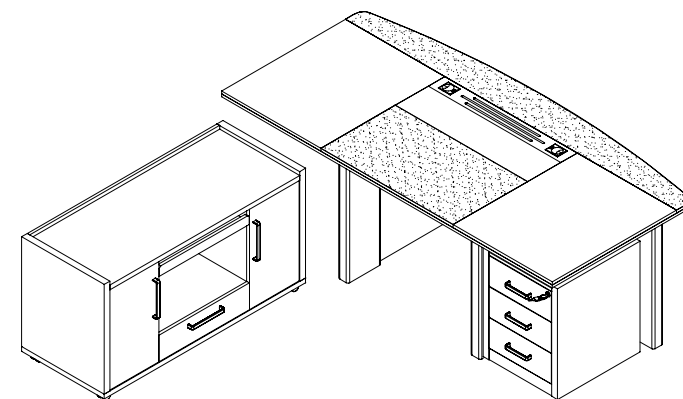
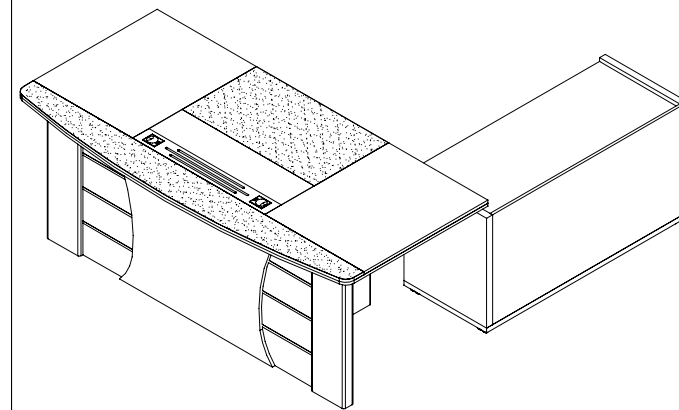
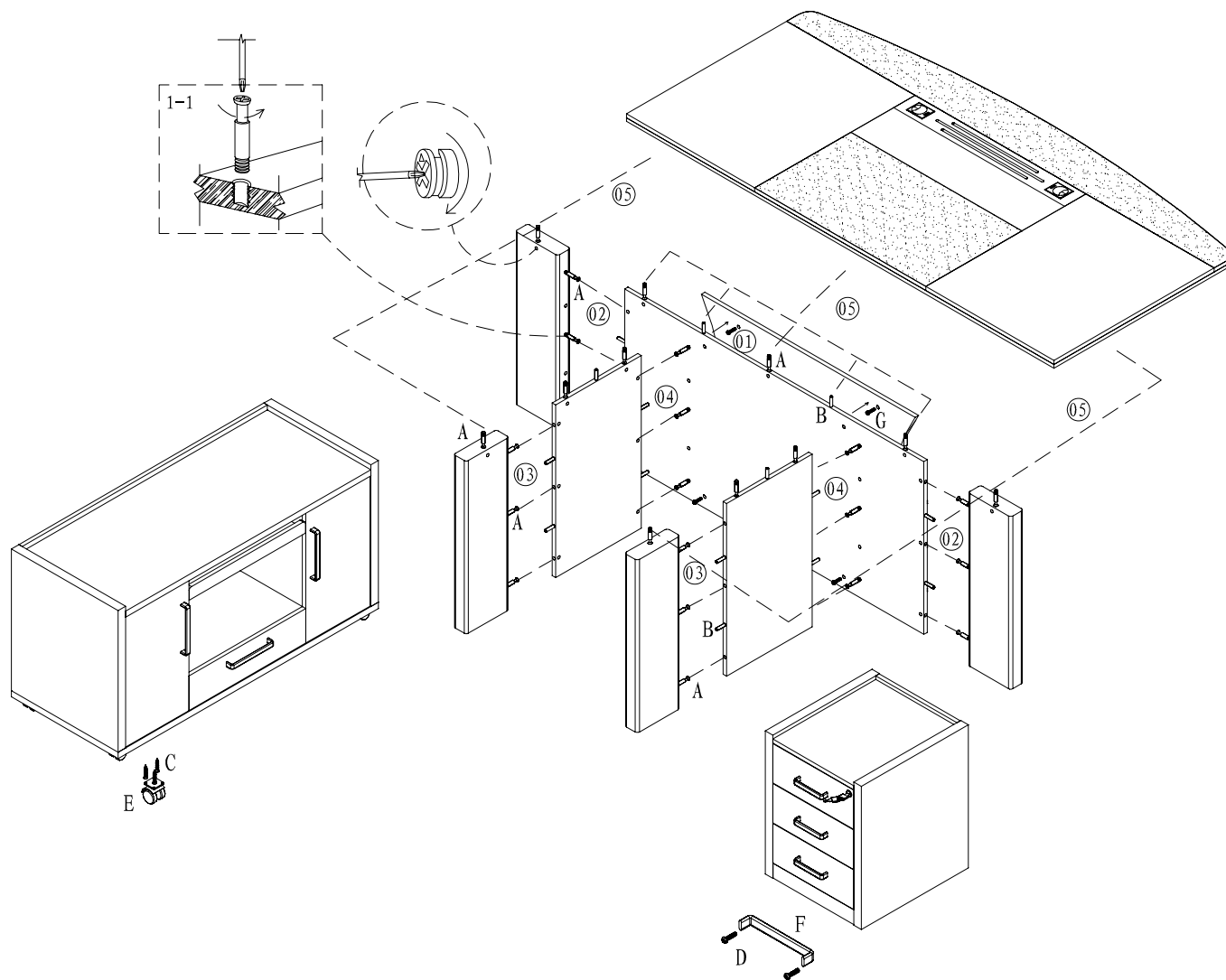


①



LEGEND:

Install tool	NO	Parts	NO	Fittings	sketch	Qty	Specification	NO	Parts	NO	Fittings	sketch	Qty	Specification	NO	Parts	NO	Fittings	sketch	Qty	Specification	
		三合一	A	Turnbuckle screw-pin		16*			拉手	F	Hand		5*									
		木榫	B	wood fitting		0*			拉手螺丝	G	Screw		4*	6*25								
		螺丝	C	Screw		40*	4*16															
		拉手螺丝	D	Screw		10*	4*20															
		脚轮	E	Wheel		10*																

Product	Desk T0823
drawing name	Install drawing