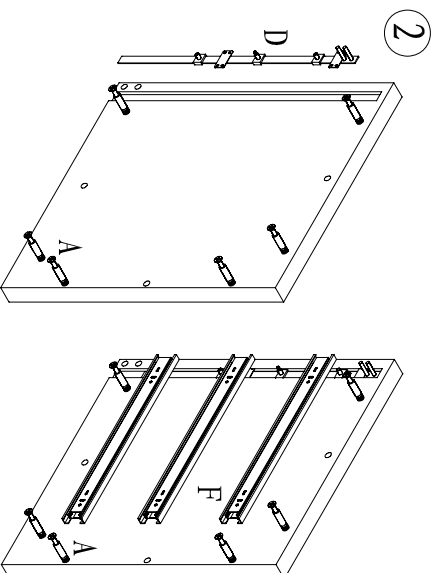
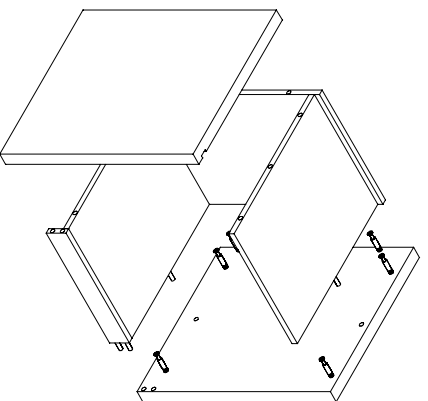


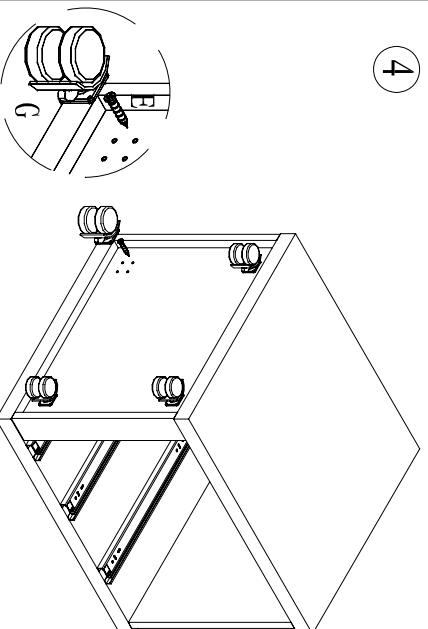
A=2
C=7



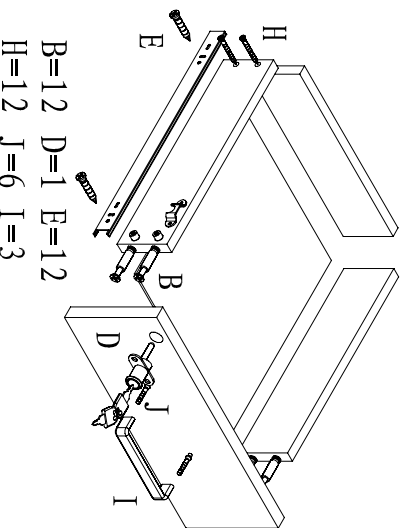
A=12
D=4
E=18
F=3



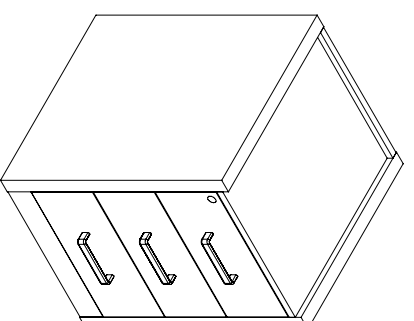
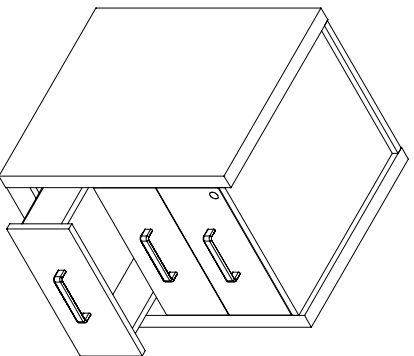
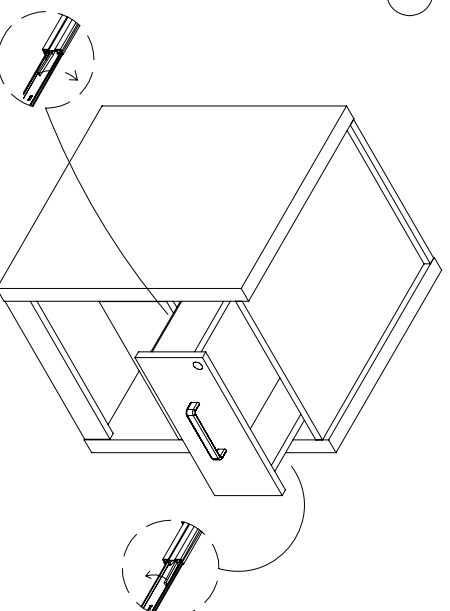
C=4



E=16
G=4



B=12 D=1 E=12
H=12 J=6 I=3



LEGEND:

Install tool			
NO	Fittings	sketch	Qty
A	three sync-tie fitting		14*
B	tie fitting		12*
C	wood fittings		11*
D	Lock		1*
E	Screw		46*
NO	Fittings	sketch	Qty
F	Course		15#
G	Wheel		10#
H	Screw		8*30
I	hand		
J	Screw		3*16

NO	Fittings	sketch	Qty
F	Course		3*
G	Wheel		4*
H	Screw		16*
I	hand		3*
J	Screw		6*

Specification	Product	Install drawing
16ft	mobile cabinet	
3*25		
4*20		