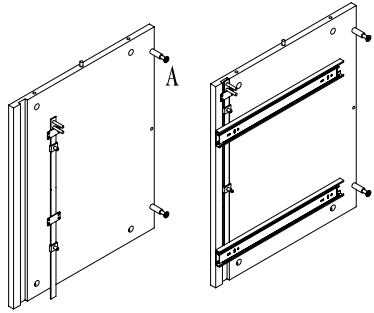
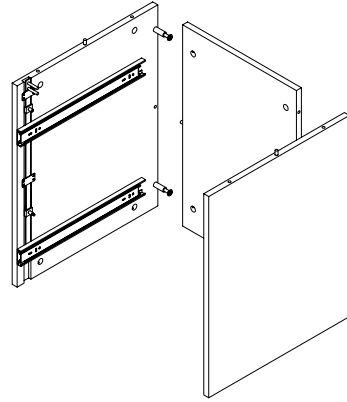


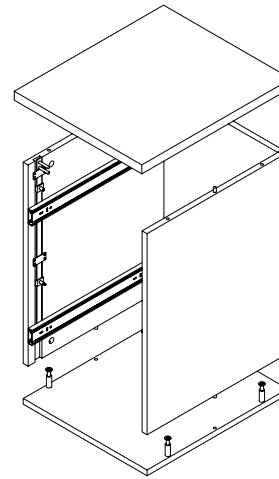
01



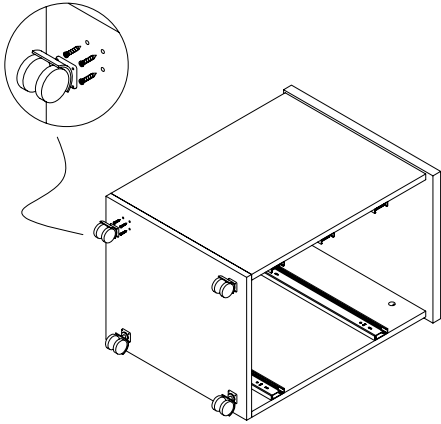
02



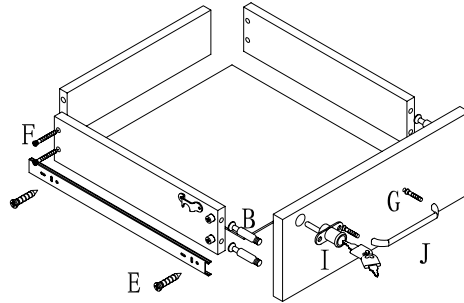
03



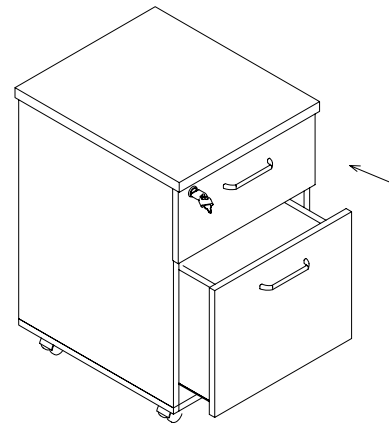
04



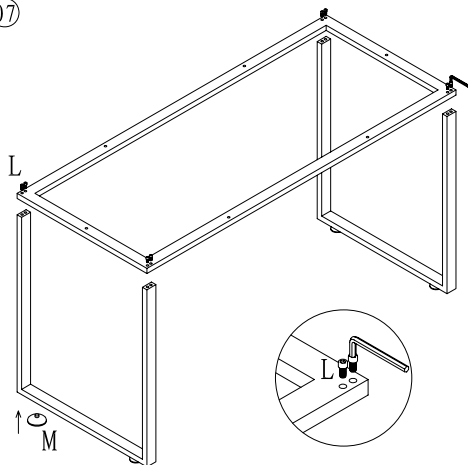
05



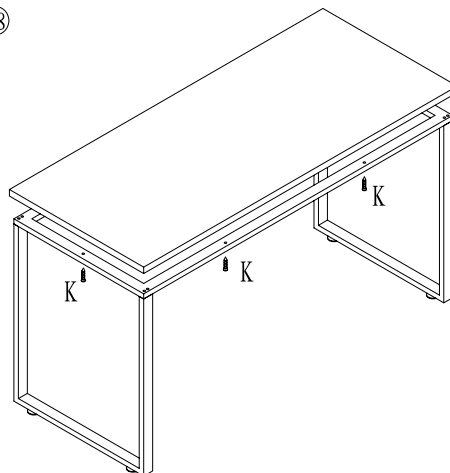
06



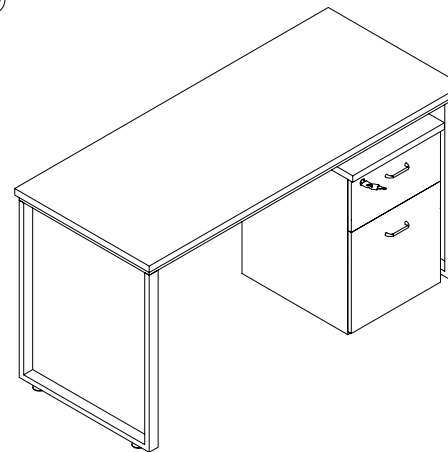
07



08



09



Parts List:

No	Sketch	Qty	Parts name
A		12	Turnbuckle Screw-pin M15
B		12	Turnbuckle Screw-pin M10
C		6	Wood fittings M6*30
D		12	Turnbuckle Screw-pin Joint
E		26	Screw M3.5*15
F		8	Screw M5*40
G		4	Screw M4*20
H		2	Course 14FT
I		1	Lock
J		3	hand
K		12	Screw 3*40
L		8	Screw
M		4	Feet
N			
O			

Product Computer Desk

Drawing Name Install Drawing