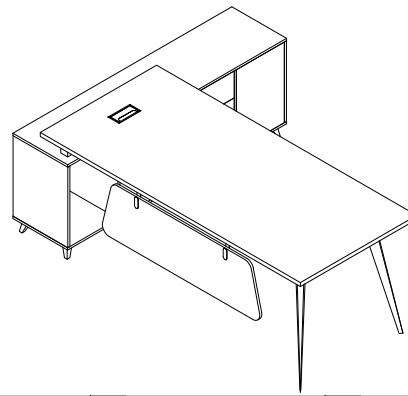
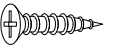






ASSEMBLY INSTRUCTIONS

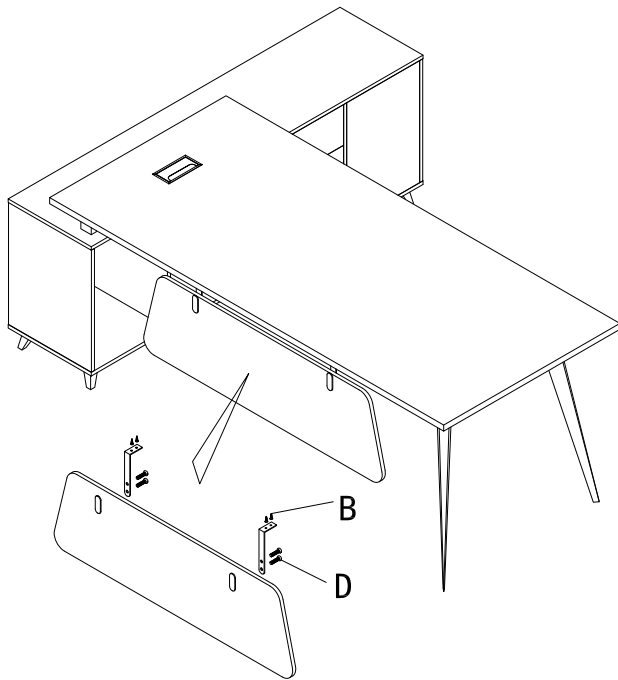
ITEM NO:DESK



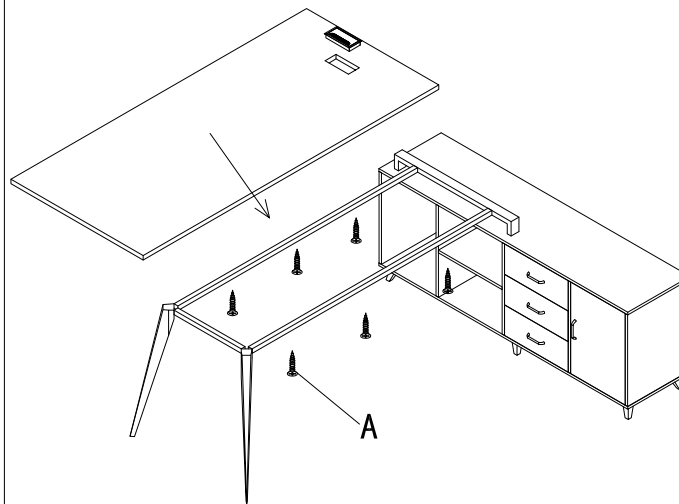
PARTS LIST:

A  3.5*15	B  4*25	C  6*25	D  6*20	E 	F
G	H	I	G	K	L

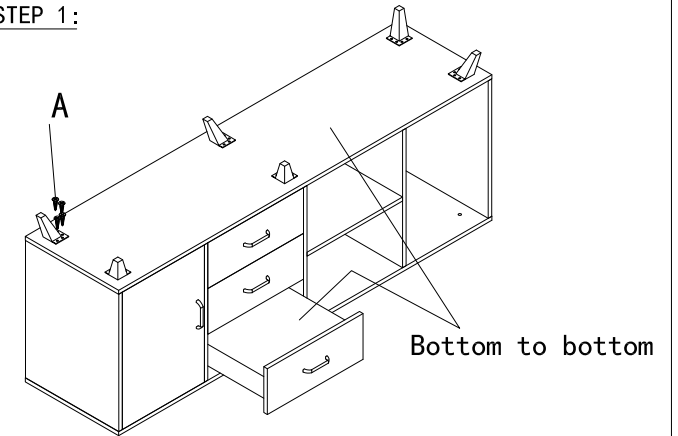
RESOLVE VIEW



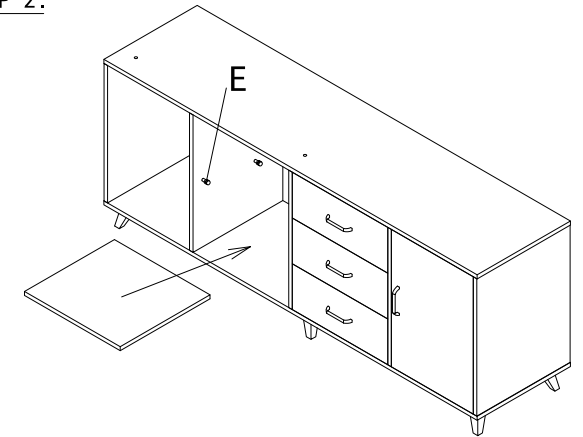
STEP 4:



STEP 1:



STEP 2:



STEP 3:

