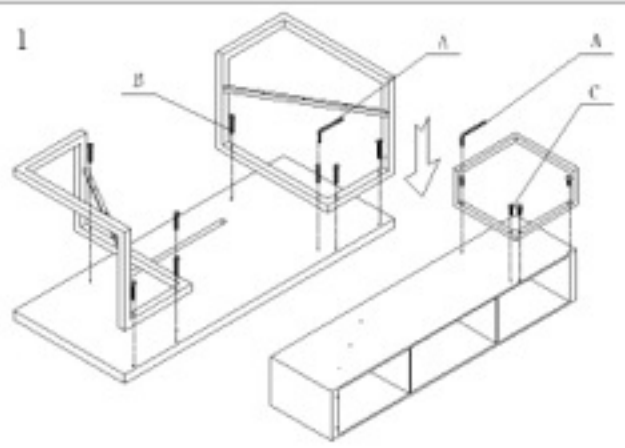
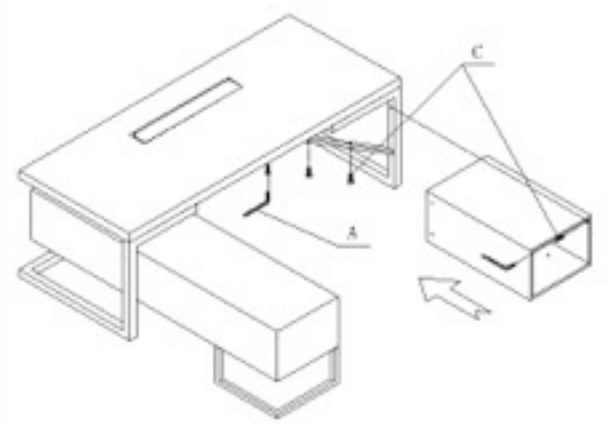


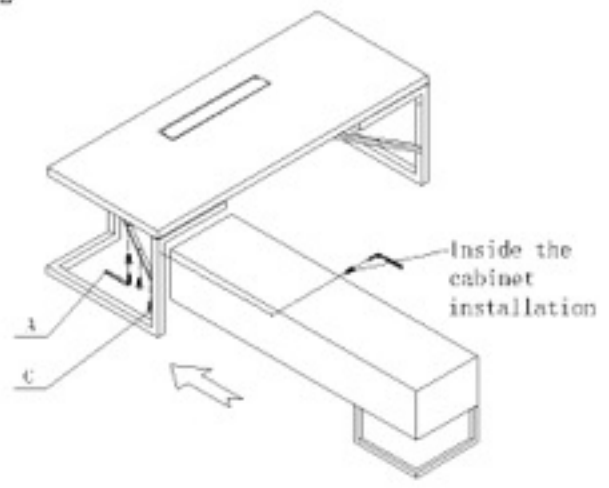
Step 1



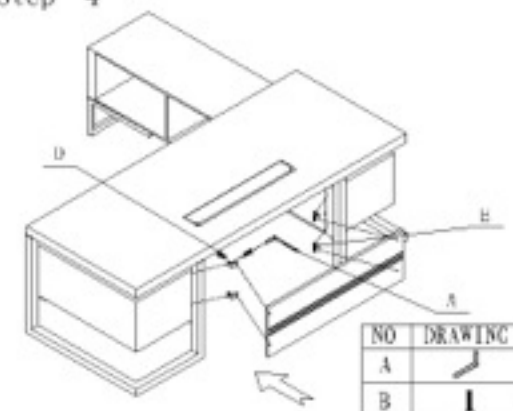
Step 3



Step 2



Step 4



F-07

NO	DRAWING	DESCRIPTION	QTY
A		6MM	1PCS
B		MS*70	8PCS
C		MS*40	12PCS
D		MS*16	8PCS
E		40*40*30MM	4PCS