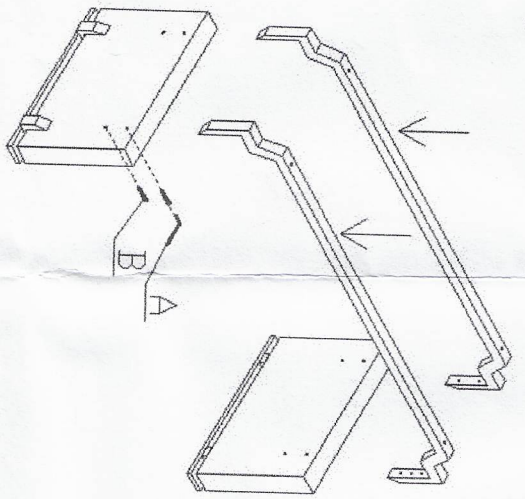
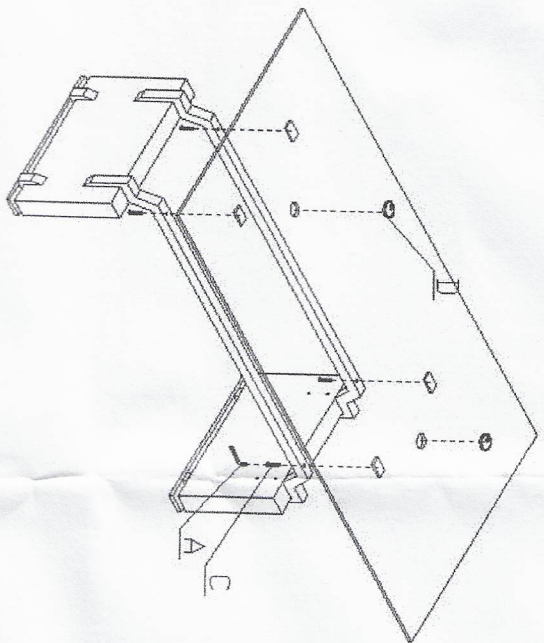


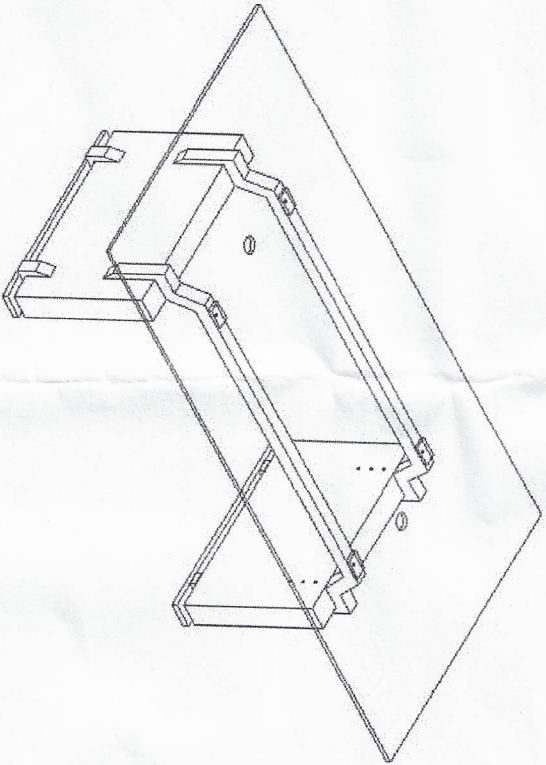
Step 1



Step 2



Finish



PH-22

NO	DRAWING	DESCRIPTION	QTY
A		6MM	1PCS
B		M8*110	8PCS
C		M8*55	4PCS
D		Ø60	2PCS