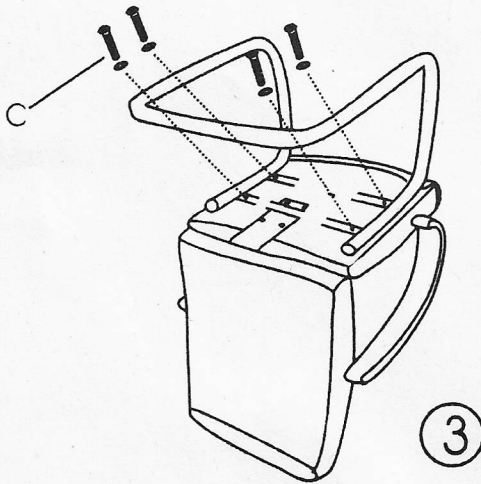
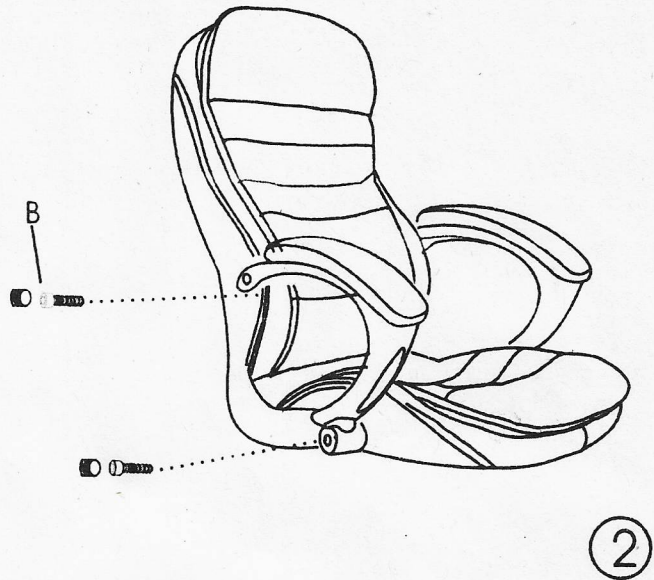
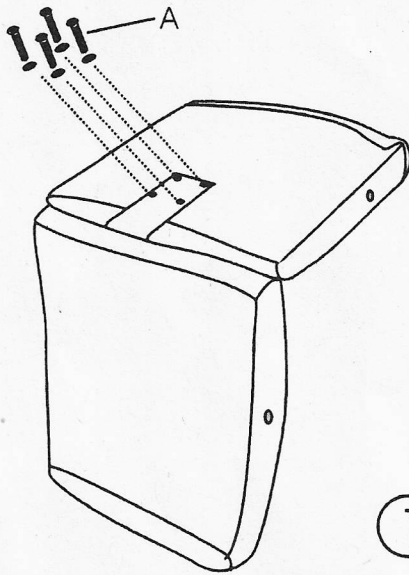





Assembly Instructions



Explanation:

Specification	Quantity
A  6x25mm	4
B  8x50mm	4
C  6x20mm	4

WARNING

- +DO NOT STAND ON THIS CHAIR DO NOT USE THIS CHAIR AS A STEP LADDER.
- +USE THIS PRODUCT ONLY FOR SEATING ONE PERSON AT A TIME.
- +DO NOT USE THIS CHAIR UNLESS ALL BOLTS, SCREWS AND KNOBS ARE FIRMLY SECURED
- +AT LEAST EVERY 4 MONTHS, CHECK ALL BOLTS, SCREWS AND KNOBS TO BE SURE THEY ARE TIGHT.
- +IF PARTS ARE MISSING, BROKEN, DAMAGED OR WRONG, STOP USE OF THIS PRODUCT.
- +FAILURE TO FOLLOW THESE WARNINGS COULD RESULT IN SERIOUS INJURY.