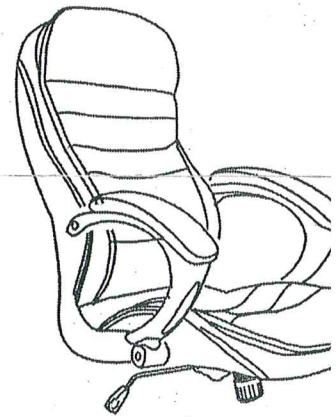
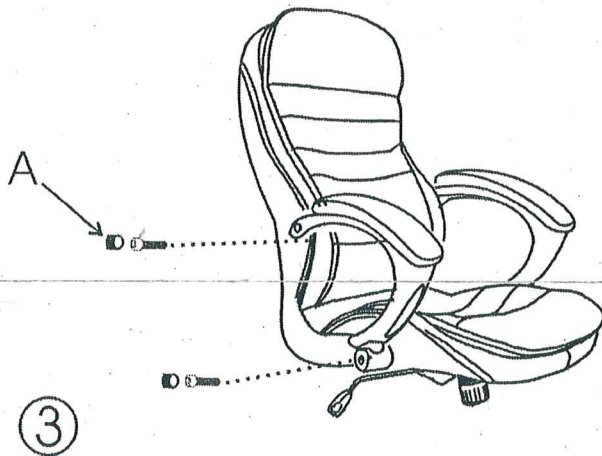
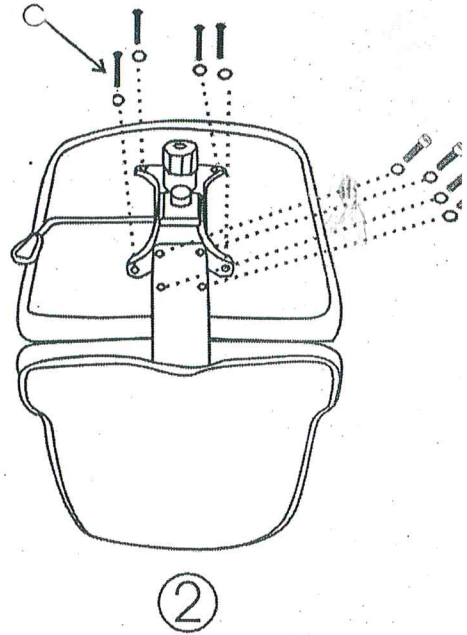
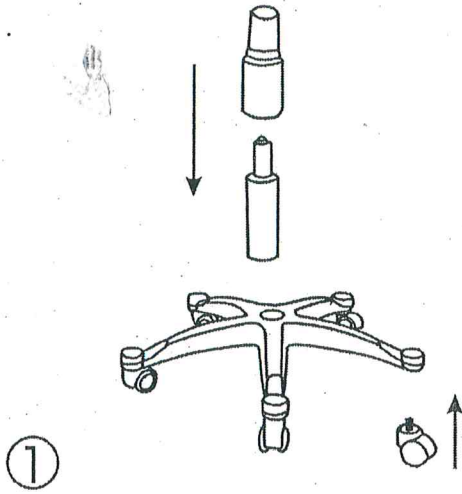






# Assembly Instructions

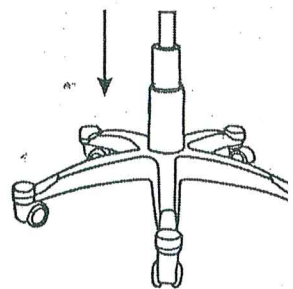


## Explanation: Specification

Quantity

A		8×50	4
B		6×25	4
C		6×20	4
D			1

④



## WARNING

DO NOT STAND ON THIS CHAIR DO NOT USE THIS CHAIR AS A STEP LADDER.  
 USE THIS PRODUCT ONLY FOR SEATING ONE PERSON AT A TIME.  
 DO NOT USE THIS CHAIR UNLESS ALL BOLTS, SCREWS AND KNOBS ARE FIRMLY SECURED.  
 AT LEAST EVERY 4 MONTHS, CHECK ALL BOLTS, SCREWS AND KNOBS TO BE SURE THEY ARE TIGHT.  
 IF PARTS ARE MISSING, BROKEN, DAMAGED OR WRONG, STOP USE OF THIS PRODUCT.