

Bathroom Furniture Install Instructions

Cabinet (basin) install instructions

- 1) Make sure the height and breadth of drill hole then draw a line on the wall.
- 2) Installing Pothook on line of drawing.(we have attached the pothook one piece and several necessary Nails in the cabinet)
- 3) If the height discrepancy within 8mm, put the solid thing in pothook groove (see the diagram 1).

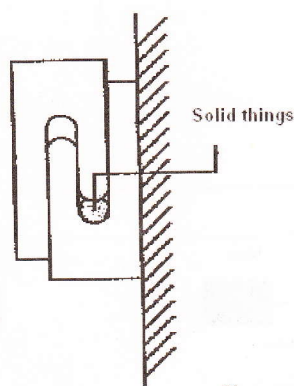
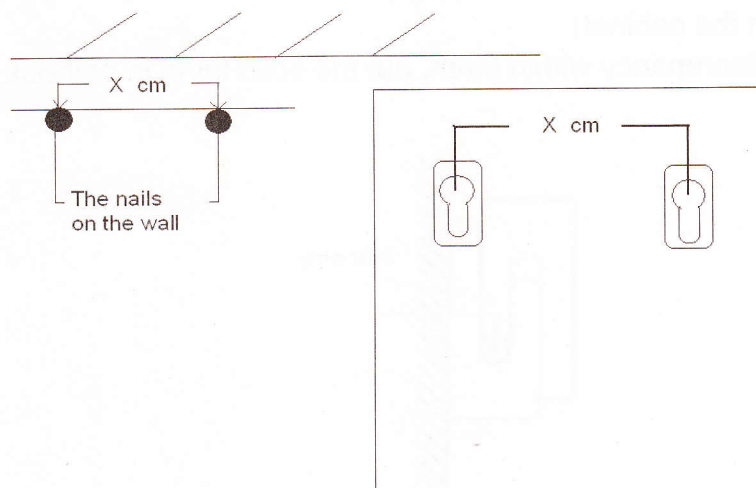


Diagram 1

NOTE: The instructions for our drawer system, please find the separately instruction sheet.

Mirror Install Instructions

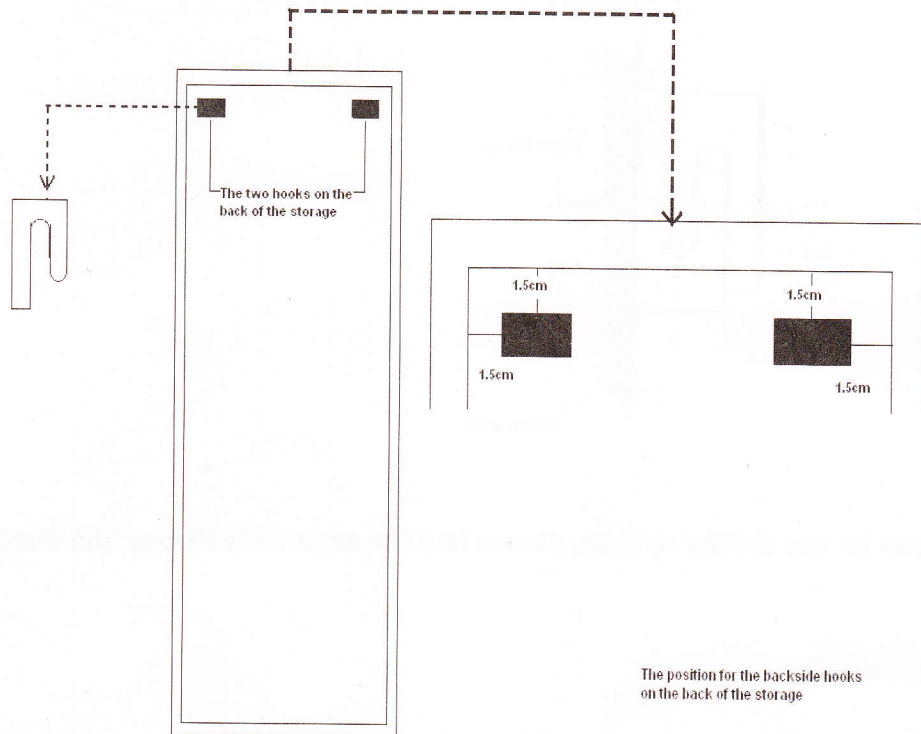
- 1) Please take out our attached Nails for the Mirror hanging and fasten them as your request place.
- 2) Please make sure the two nails are fixed fasten enough on the wall, and then you can hang on the mirror.



Bathroom Furniture Install Instructions

Storage install instructions

1, Take out the accessories attached in the storage. Please fix the hooks(two pcs) at the position we showed as following:



- 2, Install the other pair of the hooks on the wall.
 - 1) Make sure the height and breadth of drill hole then draw a line on the wall.
 - 2) Installing Pothook on line of drawing.(we have attached the pothook one piece and several necessary Nails in the cabinet)
 - 3) If the height discrepancy within 8mm, put the solid thing in pothook groove (see the diagram 1).

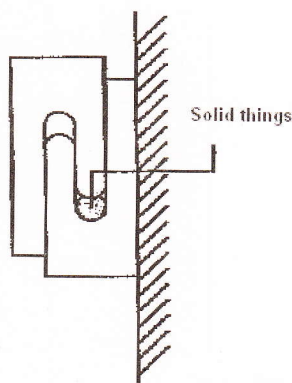


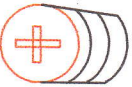


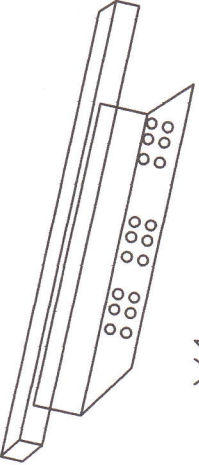
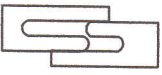
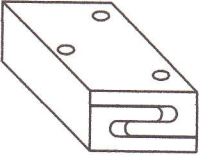


Diagram 1

	X10		X1		X35		X35		X12		X1		X2	
---	-----	---	----	---	-----	---	-----	---	-----	--	----	---	----	---

