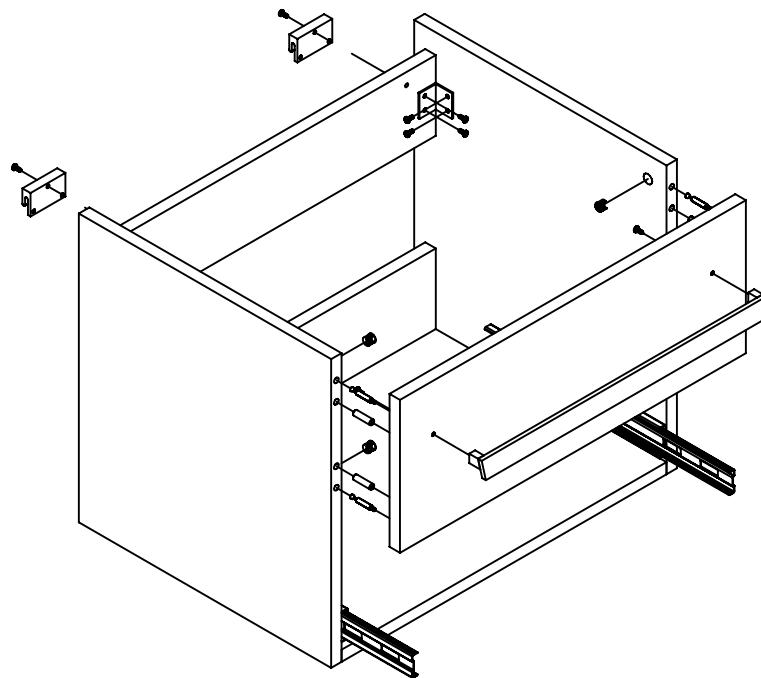
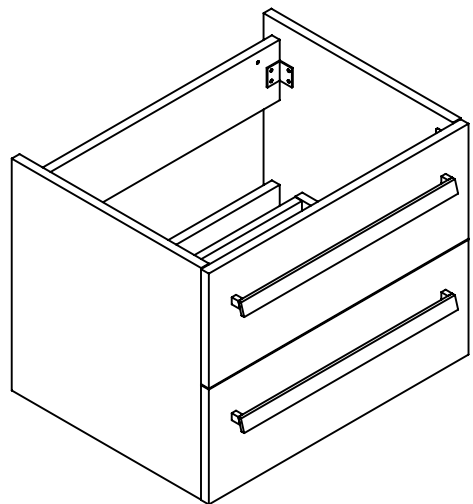


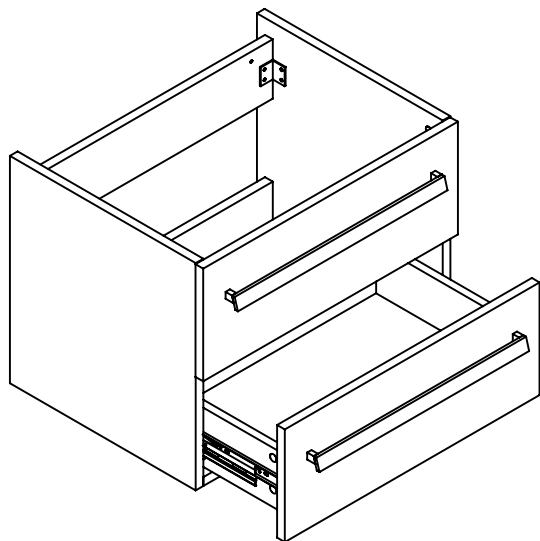
1



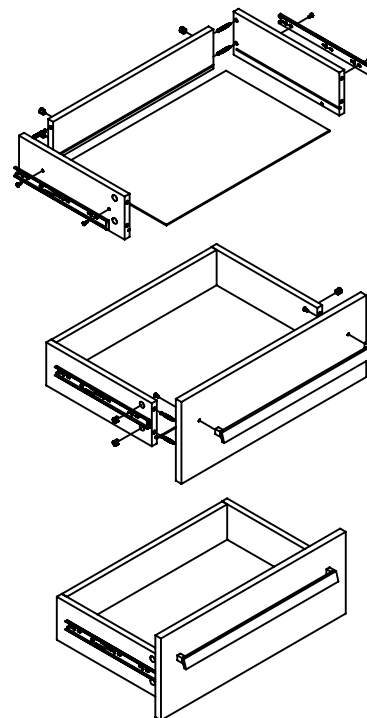
2



5



4



3

A	$\phi 8 \times 32$ x24
B	$(\phi 15)$ x24
C	$(\phi 8 \times 40) \times 6$
D	(3.5×14) x16
E	x2
F	L-03 x2 (480mm)
G	x2
H	x1 (14")
I	
J	
K	
L	
M	
N	
O	
P	
Q	

CS-A112