







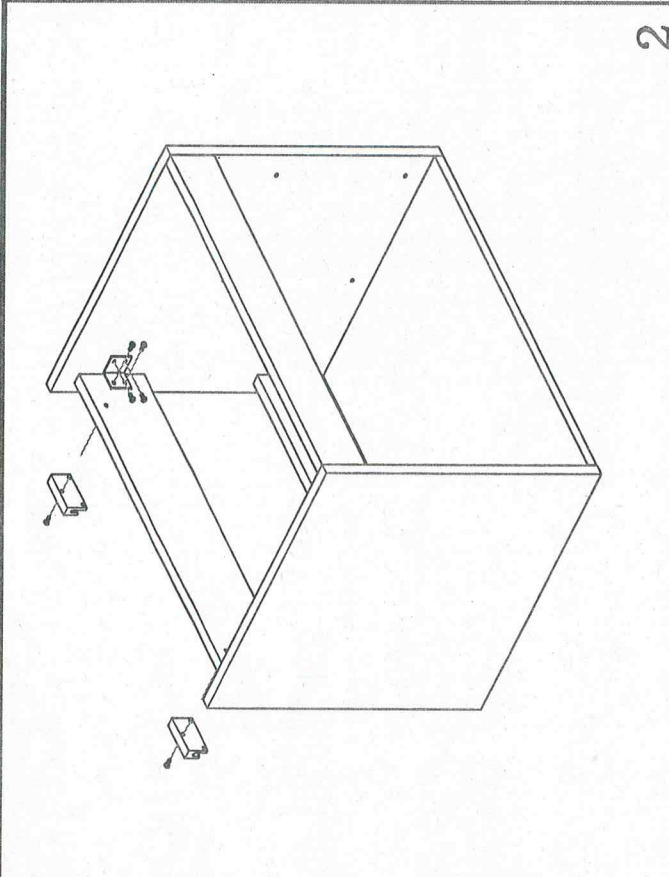
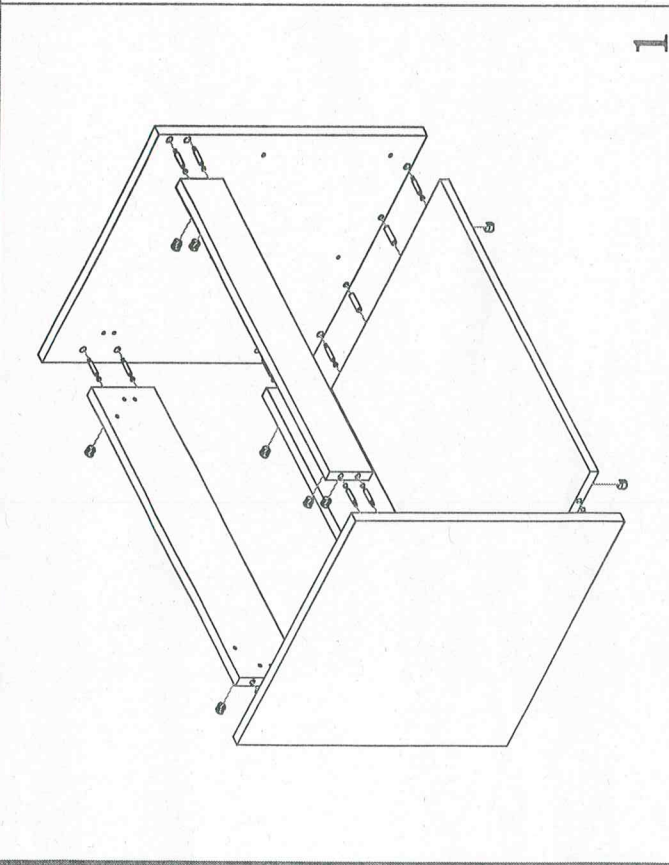


CS-B112-2U
main cabinet

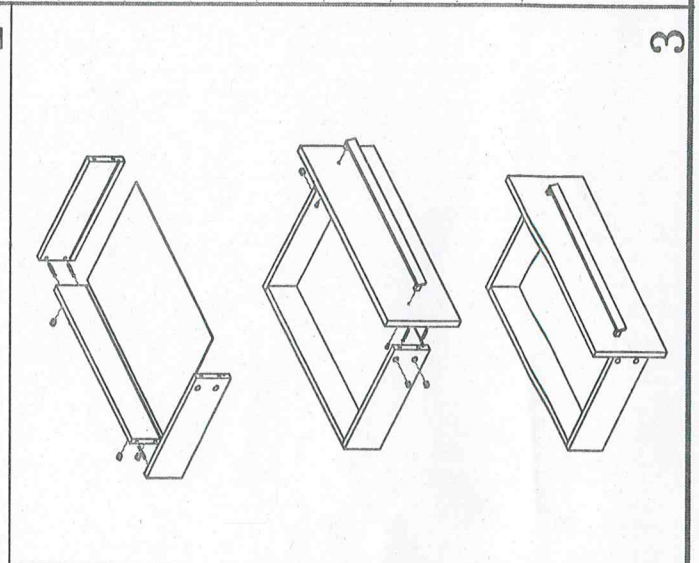
A		(ϕ 8x32)	x44
B		(ϕ 15)	x44
C		(ϕ 8x40)	x4
D		(3.5x14)	x20
E			x2
F		L-03 (480mm)	x2
G			x2
H		(350mm)	x2
I			
J			
K			
L			
M			
N			
O			
P			
Q			



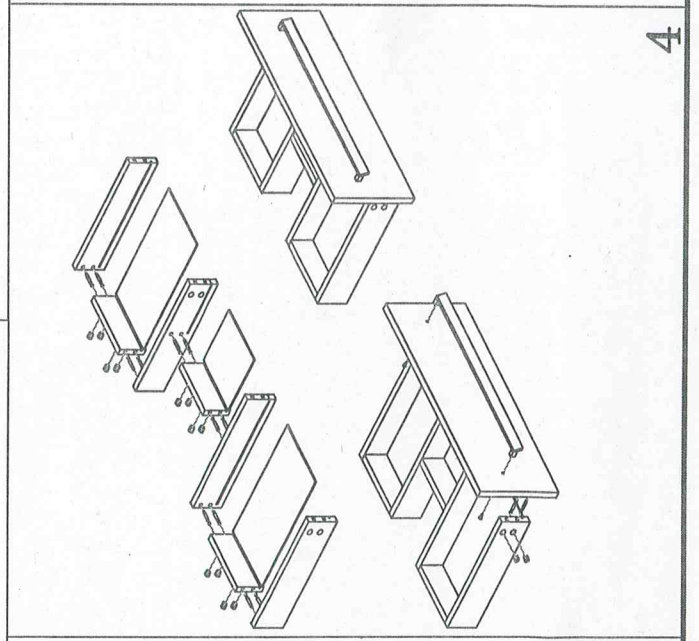
1



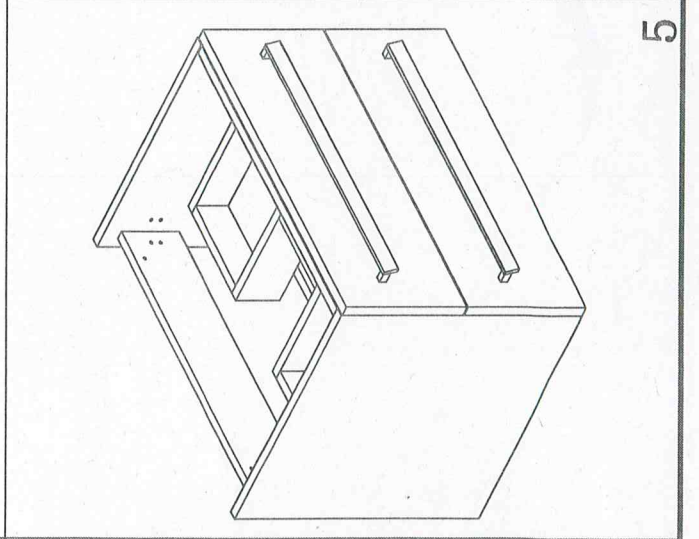
2



3



4



5