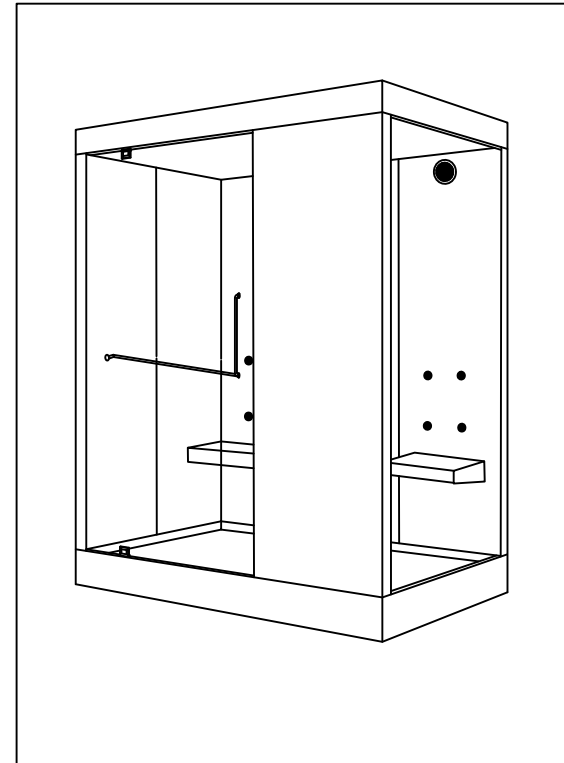


Steam Room

Installation instructions



MODEL:DSR-RT1801

SIZE:1800*1290*2220mm

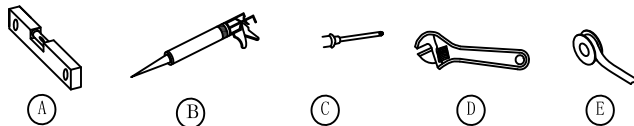
Strongly recommend

In order to do better use and prolong the product life, please follow the instructions strictly to install and use it.

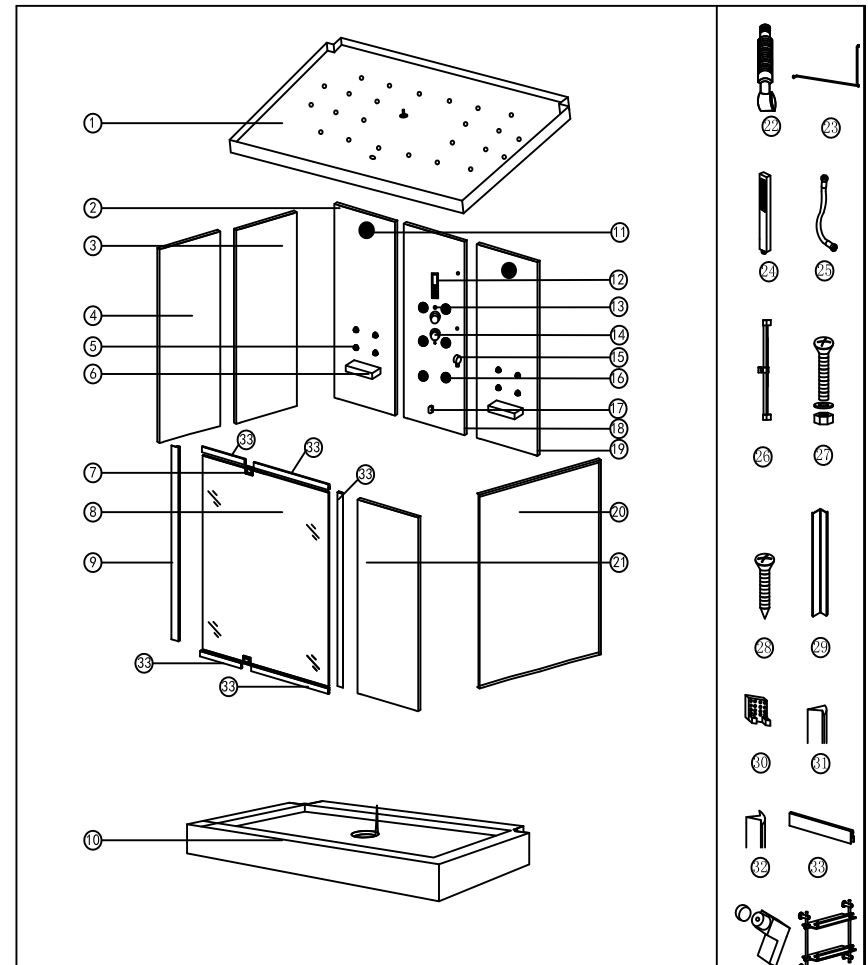
User attention:

- 1.Children and the disabled are not allowed to use the steam function alone.
- 2.Do not climb, or hang heavy objects on the product.
- 3.Do not scratch the product with sharp or blunt things, so as to avoid damages.
- 4.Do not jump into the bath room from heights to avoid slipping.
- 5.Do not make dirt attached to the product's surface.
- 6.Keep steam room well ventilated to avoid causing air deterioration or even moldy after no use for a long time.
- 7.Please clean this product with wet towels of low alkalinity, avoiding scrubbing it with alkaline and acid substances.
- 8.Please reinstall the seal, when it is dropped in order to avoid the leakage.

Installation tools



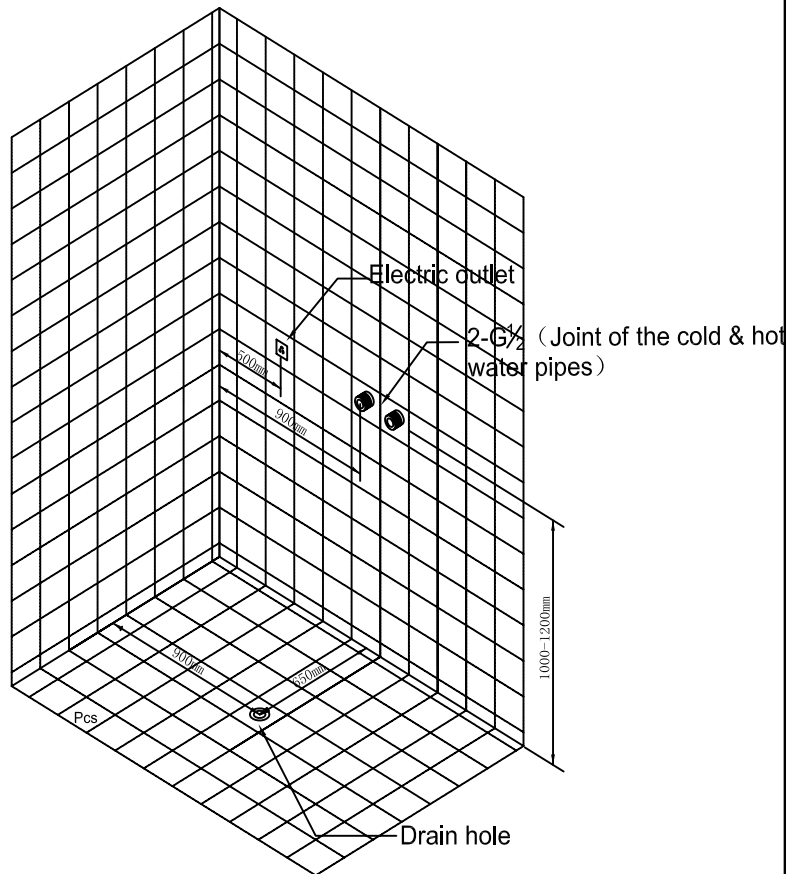
A:Horizontal ruler B:Glass cement gun C:Cross screwdriver D:Spanner E:Ptfе tape



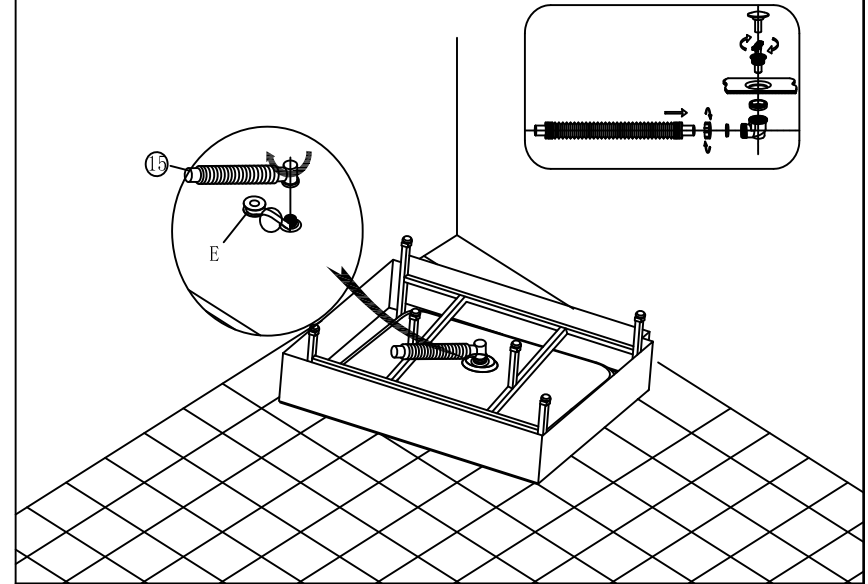
Installation tools

NO	NAME	QTY	UNIT	NO	NAME	QTY	UNIT	NO	NAME	QTY	UNIT	NO	NAME	QTY	UNIT
1	Top cover	1	Pc	10	Tray	1	Pc	19	Back panel 5	1	Set	28	S4*30; s4*30 Self-tapping screw	30	Pcs
2	Back panel 1	1	Set	11	Trumpet cover	2	Pcs	20	Side glass	1	Set	29	Decorated board	1	Set
3	Back panel 2	1	Set	12	Control panel	1	Set	21	Front panel	1	Set	30	Fixed plate	1	Pc
4	Back panel 3	1	Pc	13	Thermo-sensor	1	Set	22	Drain hose	1	Pc	31	Single side compound adhesive tape	5	Pcs
5	Small bathtub nozzle	8	Pcs	14	Faucet	1	Pc	23	Handle (square door)	1	Pc	32	Both sides compound adhesive tape	3	Pcs
6	Seat	2	Pcs	15	Shower joint	1	Pc	24	Hand shower	1	Pc	33	Both sides weather bar	5	Pcs
7	Hinge	2	Pcs	16	Big bathtub nozzle	6	Pcs	25	Shower hose	1	Pc	34	Baffle of movable door	2	Sets
8	Movable glass door	1	Set	17	Steam outlet	1	Pc	26	Lifter	1	Set	35	Double-deck shelf	1	Set
9	Weather bar	1	Pc	18	Back panel 4	1	Set	27	M8*40 : m8*40 screw	66	Sets				

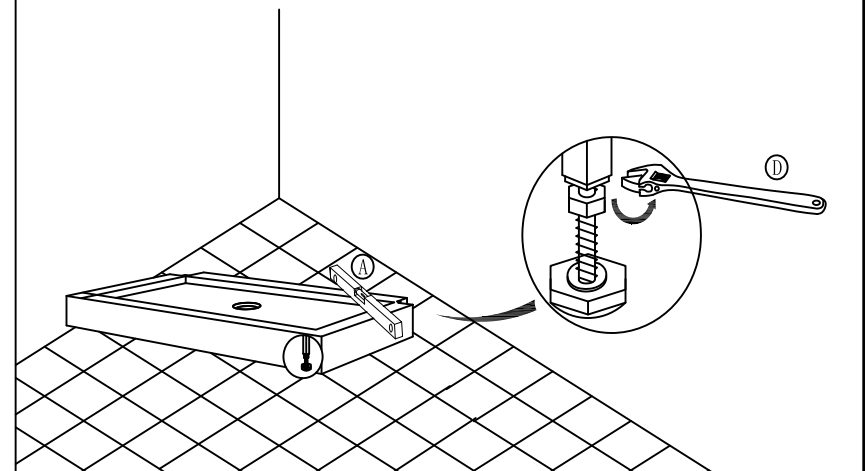
Water & electricity installations



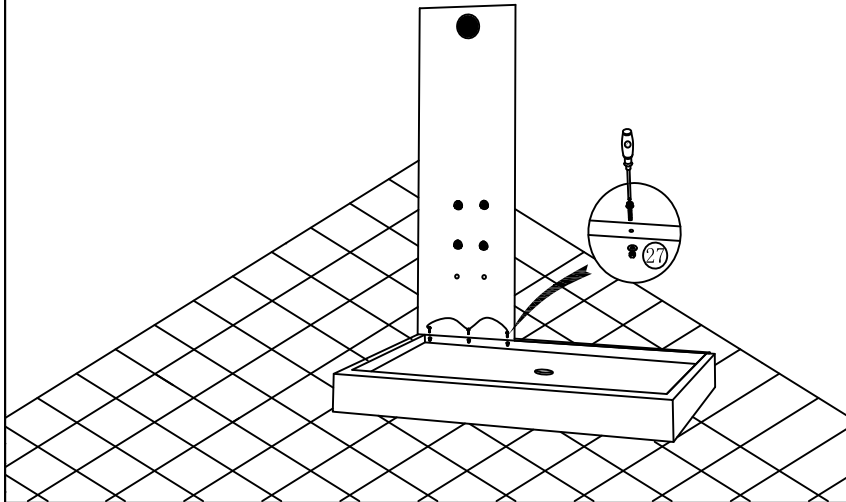
Step1: Turn over the tub, install the drain in the figure, then twist ptee tape around it then screw the drain pipe.



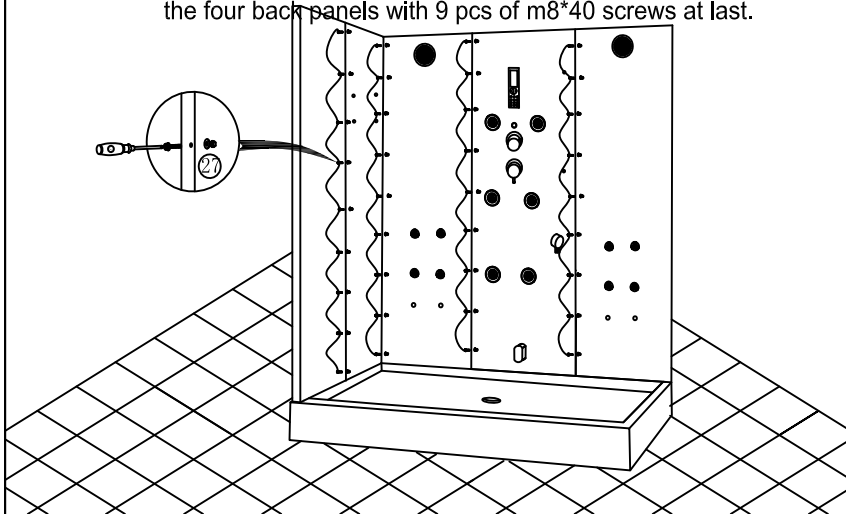
Step2: Place the tub in place with horizontal rule to adjust the tail margins so that each tail margin can touch the floor.



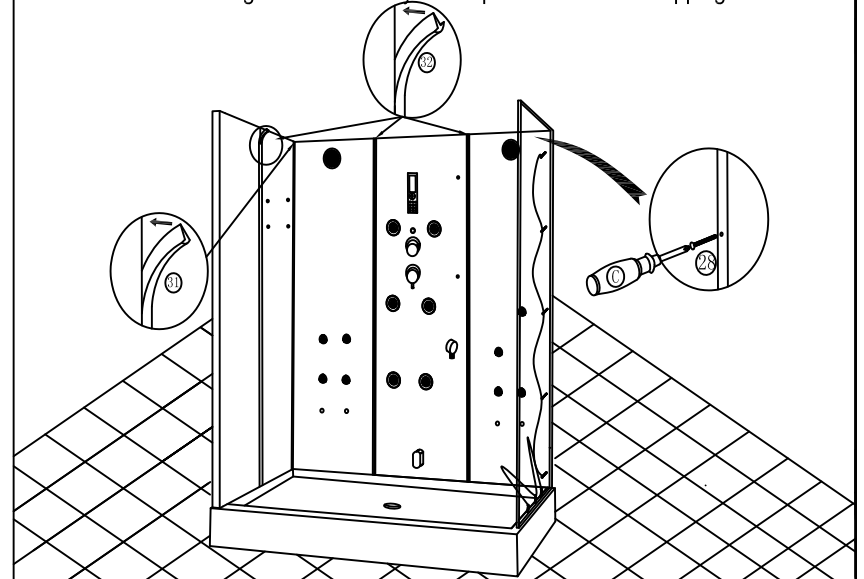
Step 3: Place the back panel no.1 on the tray, fix it with 3 pcs of m8*40 screws.



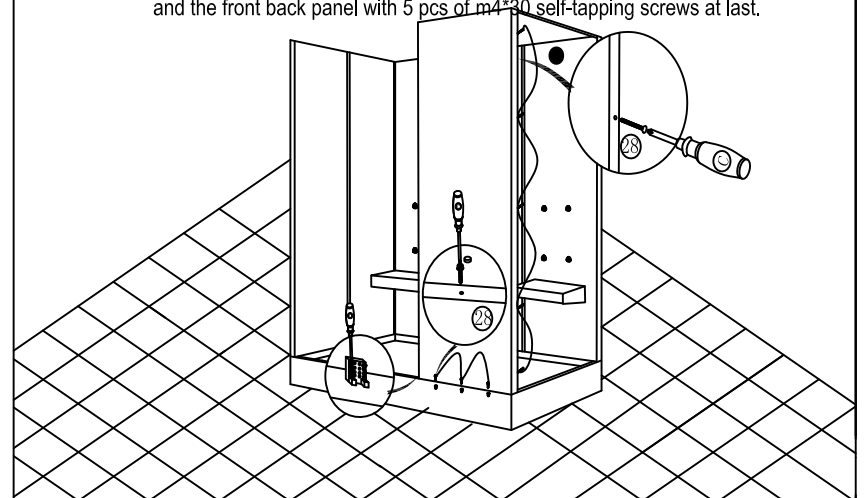
Step 4 :Place the other 4 pcs of back panels as step 3 shown, then fix them with 3 m8*40 screws separately, connect the four back panels with 9 pcs of m8*40 screws at last.



Step 5: Place the side glass in place as pic shown below ,fix the side glass and back panel with 5 pcs of m4*30 self-tapping screws ,then fix the side glass and the tray with 3 pcs of m4*30 self-tapping screws.

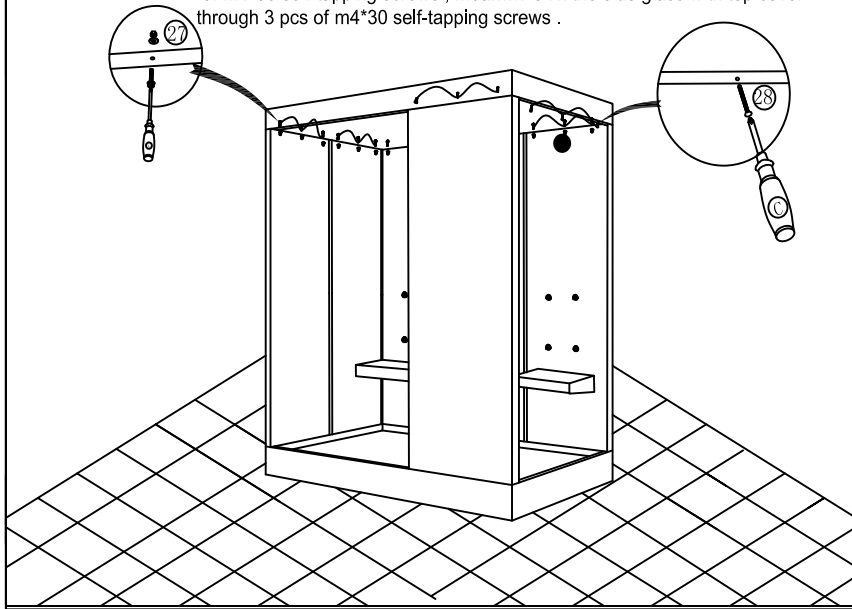


Step 6 :Place the front back panel on ,insert the bottom into the two built-in fittings , fix the front back panel and the two built-in fittings with 2 pcs of m4*30 self-tapping screws ,then place the decorated board on , and fix the side glass and the front back panel with 5 pcs of m4*30 self-tapping screws at last.

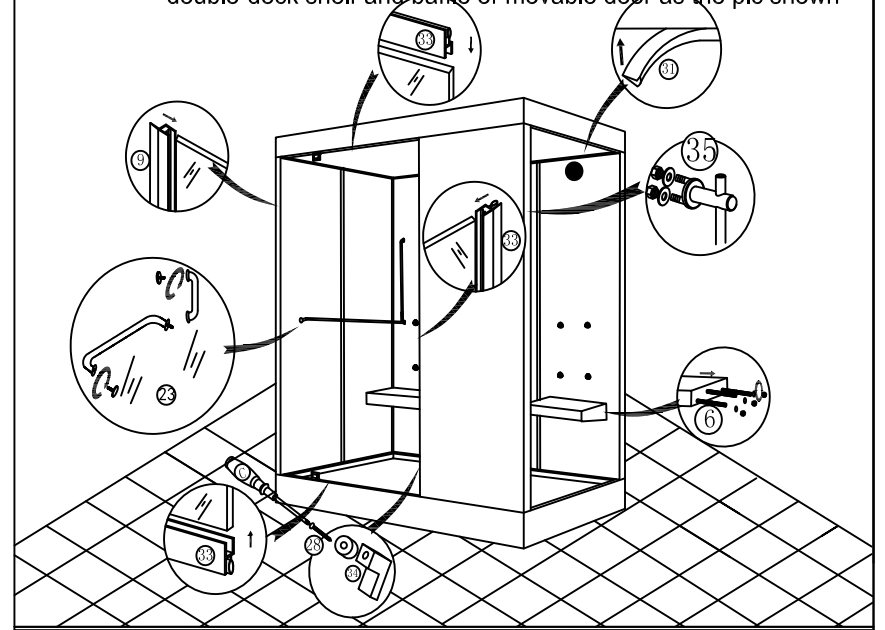


Step7:

Place the top cover on the room ,fix the back panel and the top cover with 15 pcs of m8*40 screws ,and fix the front back panel with top cover through 3 pcs of m4*30 self-tapping screws , meanwhile fix the side glass with top cover through 3 pcs of m4*30 self-tapping screws .

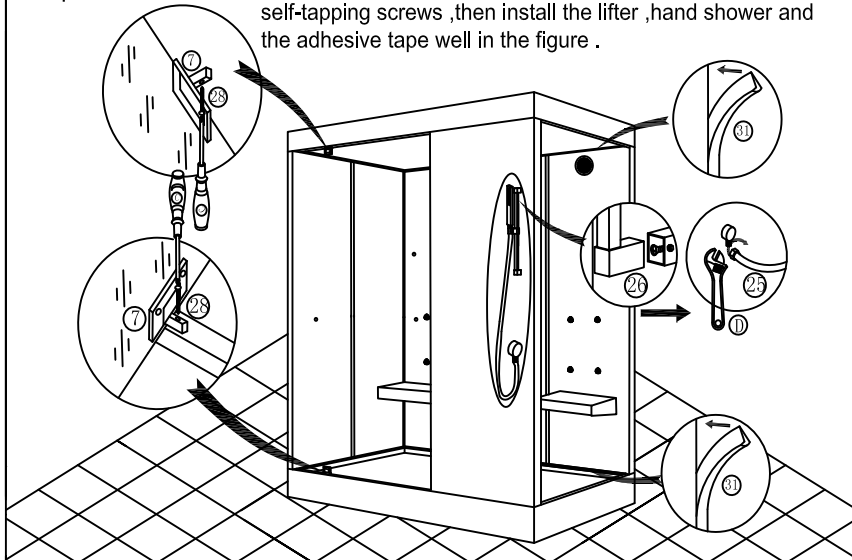


Step 9 :Install the handle, weather bar, compound adhesive tape, seat, double-deck shelf and baffle of movable door as the pic shown

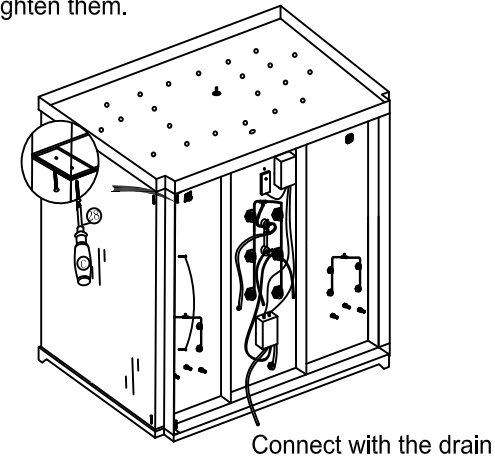


Step8:

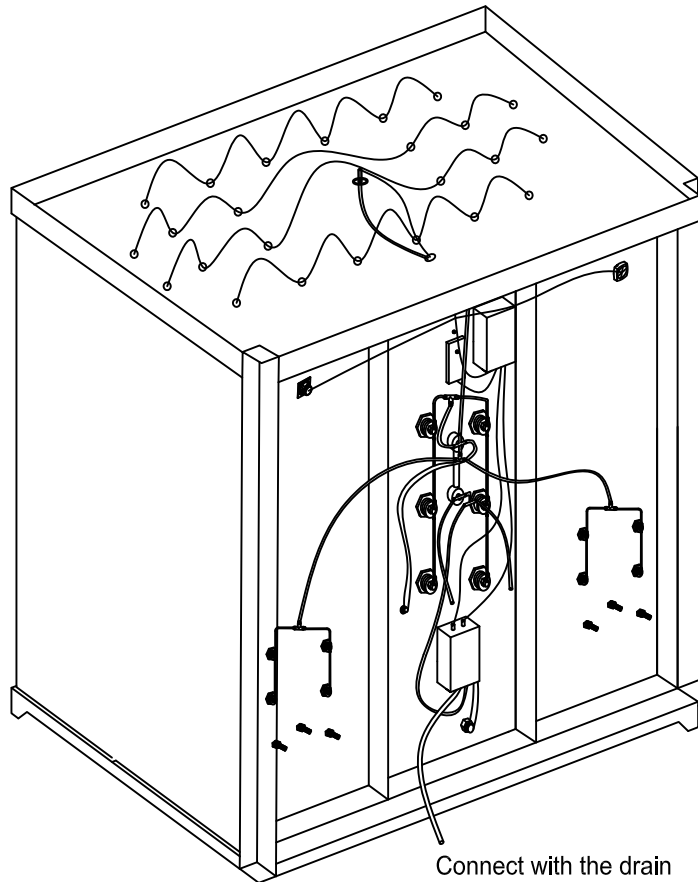
Install the movable glass door with 4 pcs of m4*30 self-tapping screws ,then install the lifter ,hand shower and the adhesive tape well in the figure .



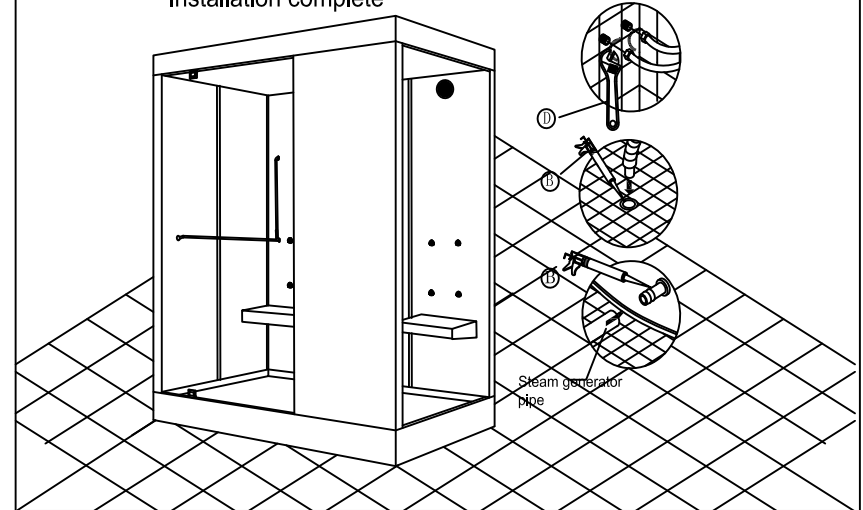
Step 10 : Install decorated board with 6 pcs of m4*30 self-tapping screws, and tighten them.



Step11: Connect all water pipes and power circuits.



Step12: 1.Install the hot & cold pipes and check whether leak or not.
2.Insert the plastic water pipes to the drain outlet, then paste glass cement on.
3.Connect the steam generator with the water source and check whether leak or not.
Installation complete



Step13 : Put the installed steam room in place, paste some glass cement on the joint of door, back panel, tub & top cover, avoiding leaking. (as the bold line shown)
Attention: power connection or water connection must be effected after 24 hours when the installation completes.

