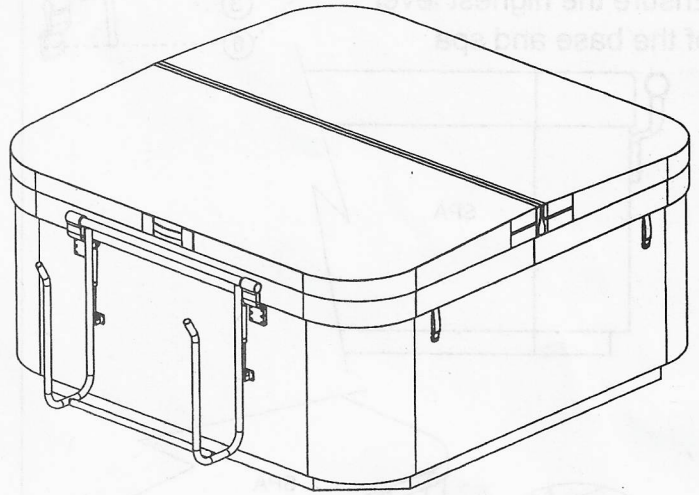
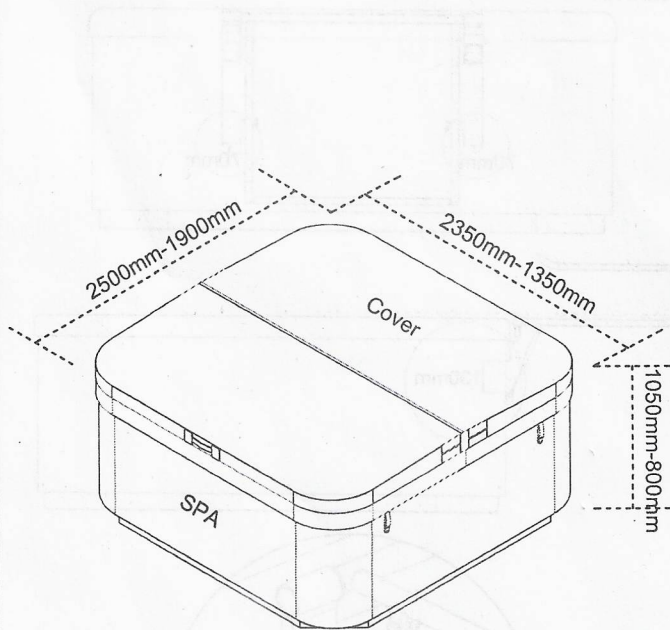


List Of Contents:

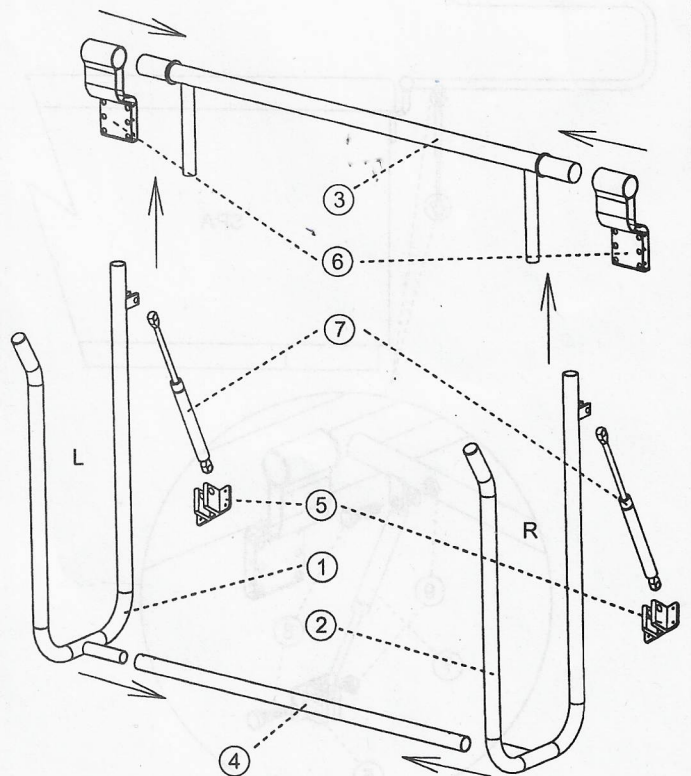
NO	QTY	Shape / name	NO	QTY	Shape / name
①	1	L	⑬	9	5X30
②	1	R	⑭	1	
③	1		⑮	1	Ø3.2
④	1				
⑤	2				
⑥	2				
⑦	2				
⑧	4	Ø10X42			
⑨	4	Ø10			
⑩	30				
⑪	10	4X19			
⑫	13	5X50			



Available dimension:

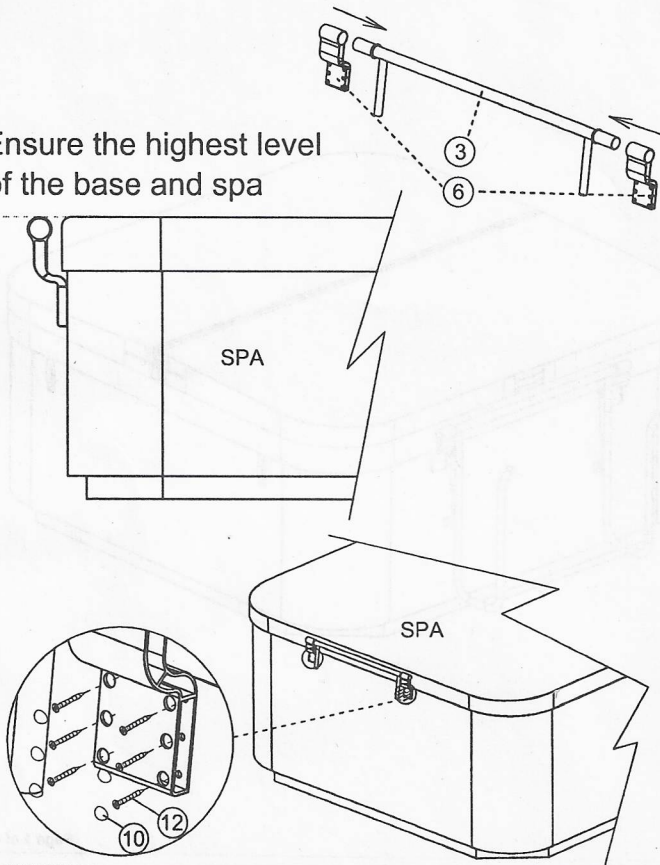


Assembly drawing:

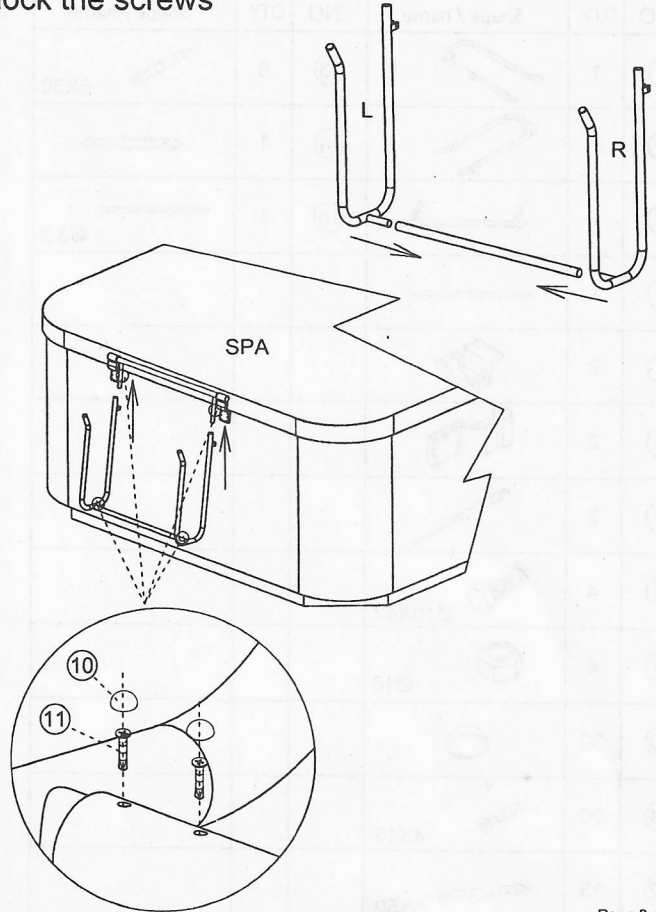


Installation steps one: Centered on both sides, place the base well, and lock the lifter onto spa

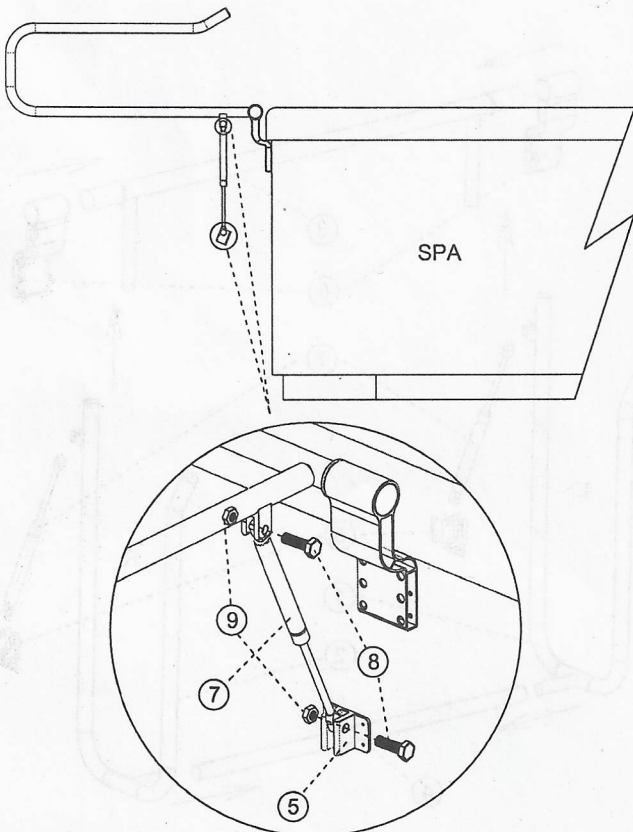
Ensure the highest level of the base and spa



Installation steps two: install the U tube and lock the screws



Installation Steps three: install the gas rod



Install the gas rod and locating base onto the lifter

Installation steps four: fix the gas rod onto the spa cabinet

