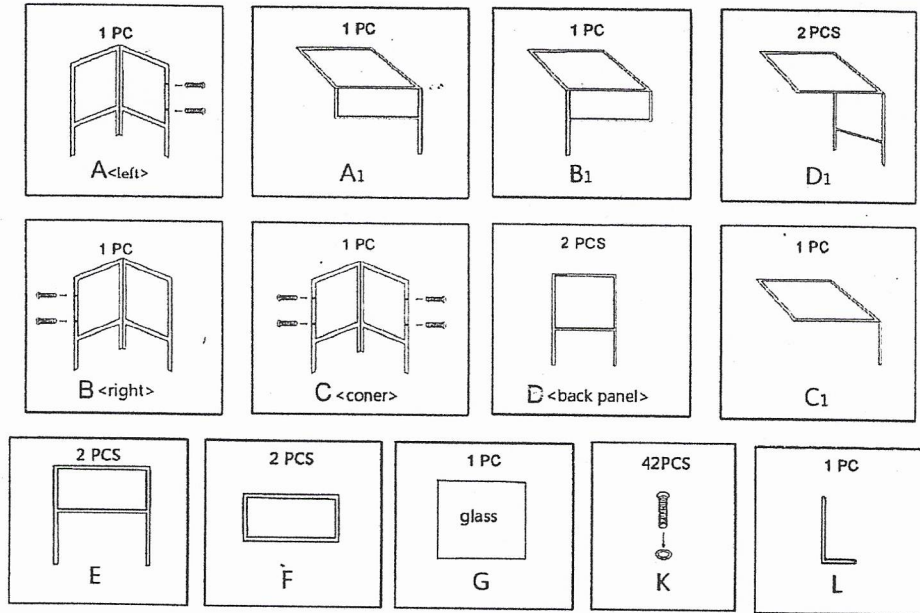
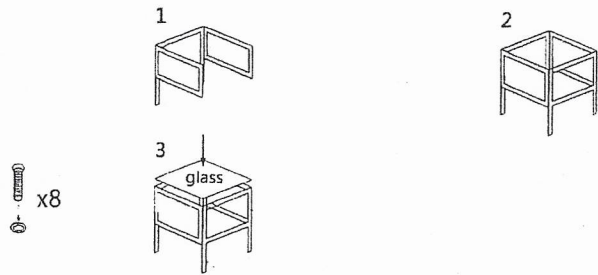


Chile

ASSEMBLY INSTRUCTIONS



1. Take part (F) assemble the part (E) on each side using screws (K), Do not completely tighten screws at this stage .
2. Completely tighten all screws .
3. Put the glass (G) on the table frame .



4. Take sofa corner part (C) and assemble the seat panel (C1) using screws (K). Do not completely tighten screws at this stage .
5. Take the back panel (D) assemble on left and right side and assemble the seat panel (D1) using screws (K) ,Do not completely tight screws at this stage .
6. Take the left back panel (A) assemble on left side and assemble the seat panel (A1) using screws (K),Do not completely tighten screws at this stage .
7. Take the right back panel (B) assemble right side and assemble the seat panel (B1) using screws (K),Do not completely tighten screws at this stage .
8. Completely tighten all the screws .

