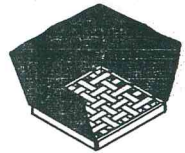
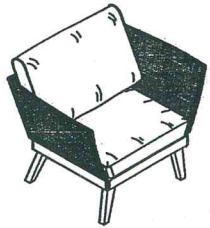


Samsø Lounge Armchair

Assembly Instructions



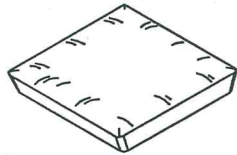
Ax1



Bx2



Cx2







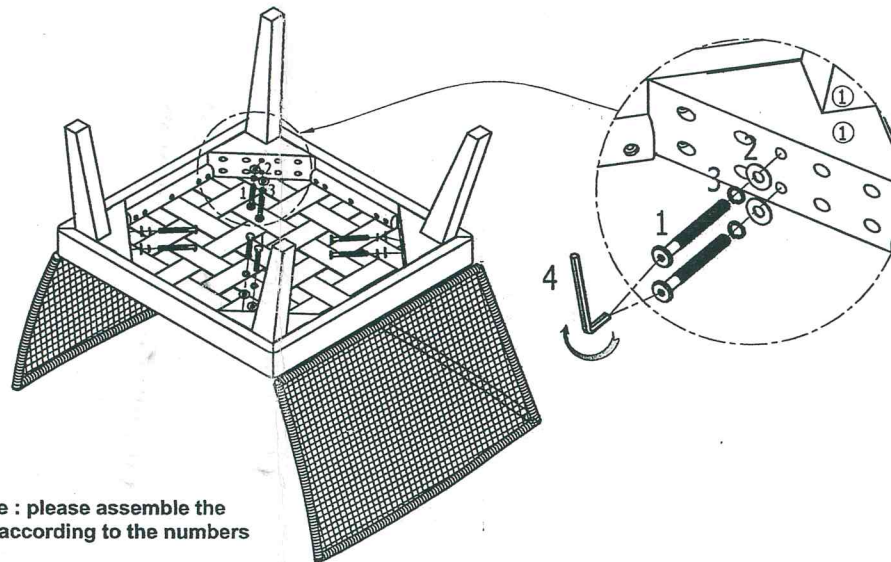
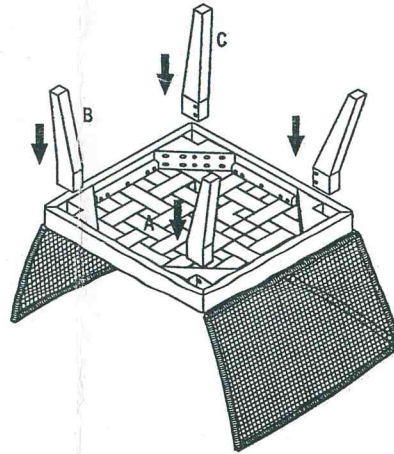
Dx1



Ex1

LIST OF HARDWARE

NO.	HARDWARE	QTY.
1	F-Bolt M8x70 	08
2	Washer 	08
3	Spring washer 	08
4	ALLEN KEY 	01



Note : please assemble the leg according to the numbers