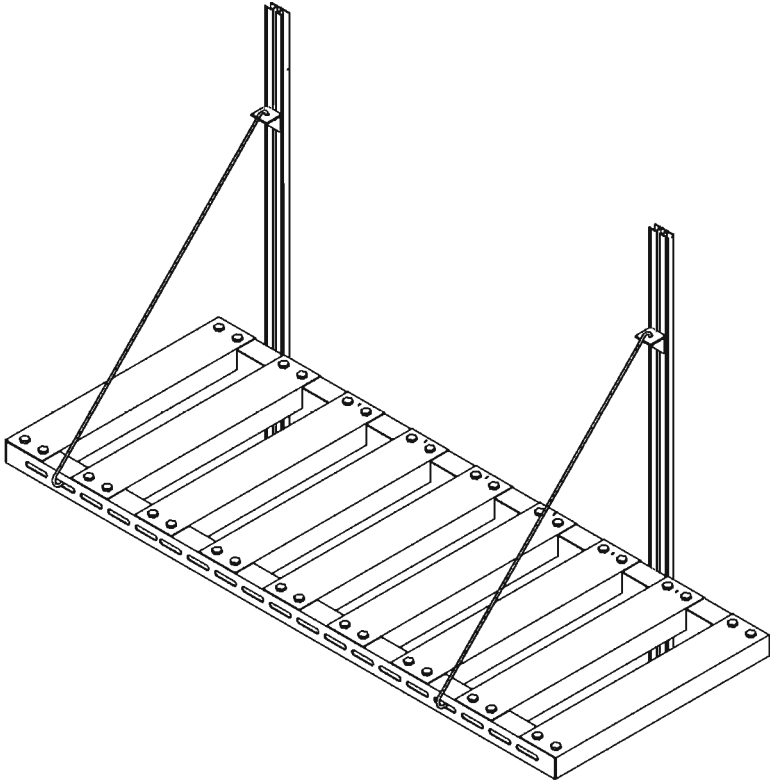


STAGING



NUMBER 2046

GENERAL SAFETY WARNINGS AND IN STALLATION ADVICE

KEEP WORK AREA CLEAN AND DRY. Cluttered, damp, or wet work areas may cause injuries.

STAY ALERT. Do not use this product when you are tired or distracted from the job at hand. We recommend that you use gloves during assembly.

MAINTAIN A SAFE WORKING ENVIRONMENT. Keep the work area well. Make sure there is adequate surrounding workspace. Avoid high traffic areas. Always keep the work area free of obstructions, grease, oil, trash, and other debris.

PROPER LOCATION. Make sure the Greenhouse is located on a flat level surface.

DO NOT INSTALL THE GREENHOUSE IN AREAS SUBJECT TO HIGH WINDS OR ERRECT ON A WINDY DAY.

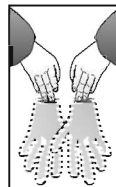
Although this greenhouse is designed to withstand greater wind loads than other conventional greenhouses, do not install it in areas subject to high winds or erect on a windy day. Any building left partially constructed may be seriously damaged if left in this state. It is your responsibility to safely and securely anchor the greenhouse, having regard to the windiest conditions in the area.

CHECK PARTS BEFORE ASSEMBLY. All parts have been labeled well, please sort, separate and identify all parts and hardware before construction, and check against the Parts List in this manual.

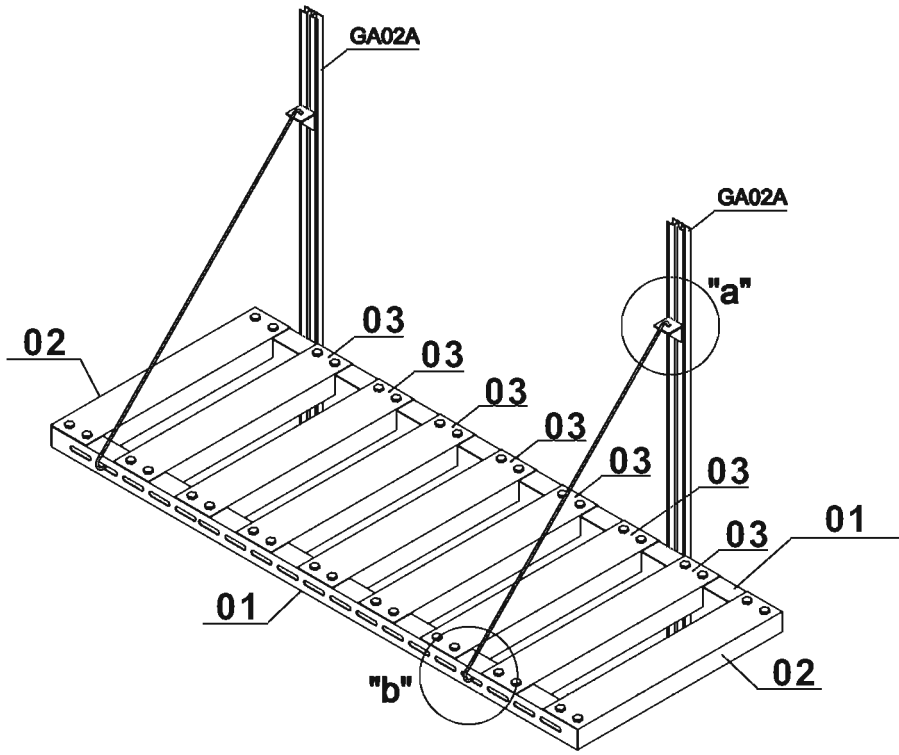
REQUIRED TOOLS

Bellow tools are required for the erection of the greenhouse. These tools should be at hand before starting work:

1. Screw driver
2. Spanner (the aperture is 8mm)
3. Measuring tape
4. Silicon glue
5. Gloves
6. Rubber hammer



NOTE: The warnings, precautions, and instructions discussed in this manual cannot cover all possible conditions and situations that may occur.



01		2
02		2
03		7
05		2
04		2
S01		40(set)

