

NUMBER 2043 PACKING LIST

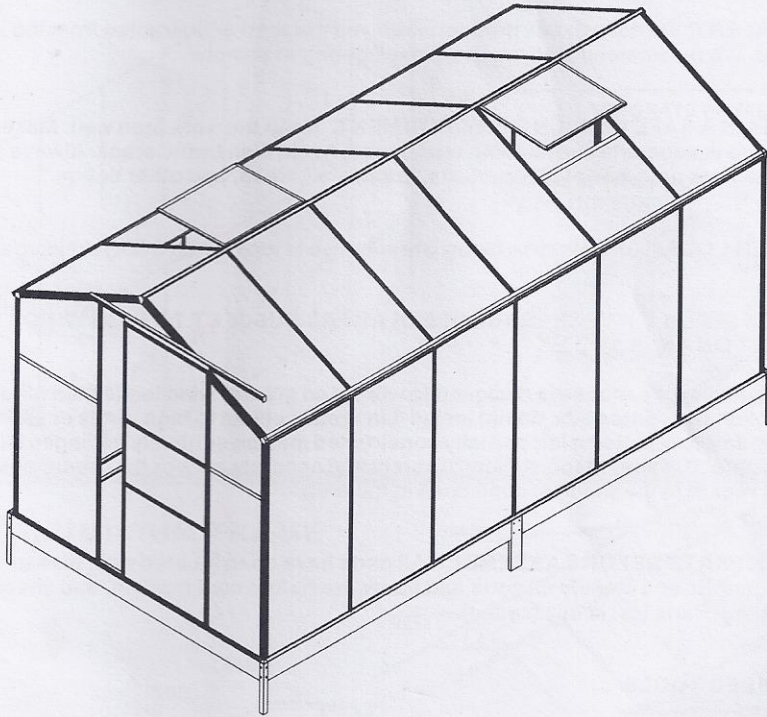
units:mm

Part No.	Length	QTY		Part No.	Length	QTY
GA01A	1364	4 ✓		GA09B	1490	4
GA01B	985	4		GW01	500	4
GA02A	1364	10		GW02	587	2
GA02B	985	10		GW03	587	2
GA02C	1637	2		GD01	1260	1
GA02D	1648	2		GD02	621	1
GA03A	580	6		GD03	1630	2
GA03B	628	1		GD04	621	3
GA04	1835	1		BASE-1	1895	2 ✓
GA05A	1835	1 ✓		BASE-2	1855	4 ✓
GA05B	3650	2 ✓		G06		4
GA06	3660	1 ✓		G07		2
GA07	3650	2 ✓		G08		2
GA08	3652	2 ✓		SR		15
GA09A	1835	1 ✓				

Remark:

For easy finding the correct part, different color label shows different part:
 Red label for front & back cover, yellow label for the middle, green label for shared parts,
 purple label for the door, blue label for the window and brown label for accessories.

MODELL HIBISKUS



NUMBER 2043

Due to continuing improvements, actual product may differ slightly from the product described herein.

PLEASE READ THE ASSEMBLY INSTRUCTION CAREFULLY BEFORE USE.

GENERAL SAFETY WARNINGS AND INSTALLATION ADVICE

KEEP WORK AREA CLEAN AND DRY. Cluttered, damp, or wet work areas may cause injuries.

STAY ALERT. Do not use this product when you are tired or distracted from the job at hand. We recommend that you use gloves during assembly.

MAINTAIN A SAFE WORKING ENVIRONMENT. Keep the work area well. Make sure there is adequate surrounding workspace. Avoid high traffic areas. Always keep the work area free of obstructions, grease, oil, trash, and other debris.

PROPER LOCATION. Make sure the Greenhouse is located on a flat level surface.

DO NOT INSTALL THE GREENHOUSE IN AREAS SUBJECT TO HIGH WINDS OR ERRECT ON A WINDY DAY.

Although this greenhouse is designed to withstand greater wind loads than other conventional greenhouses, do not install it in areas subject to high winds or erect on a windy day. Any building left partially constructed may be seriously damaged if left in this state. It is your responsibility to safely and securely anchor the greenhouse, having regard to the windiest conditions in the area.

CHECK PARTS BEFORE ASSEMBLY. All parts have been labeled well, please sort, separate and identify all parts and hardware before construction, and check against the Parts List in this manual.

REQUIRED TOOLS

Bellow tools are required for the erection of the greenhouse. These tools should be at hand before starting work:

1. Screw driver
2. Spanner (the aperture is 8mm)
3. Measuring tape
4. Silicon glue
5. Gloves
6. Rubber hammer



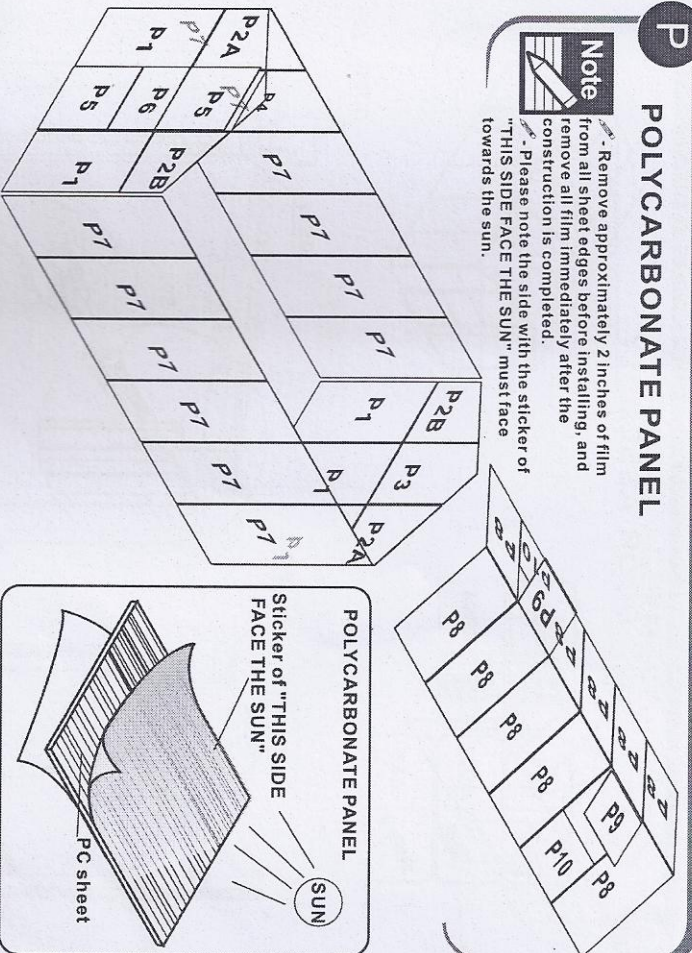
NOTE: The warnings, precautions, and instructions discussed in this manual cannot cover all possible conditions and situations that may occur.

P

POLYCARBONATE PANEL

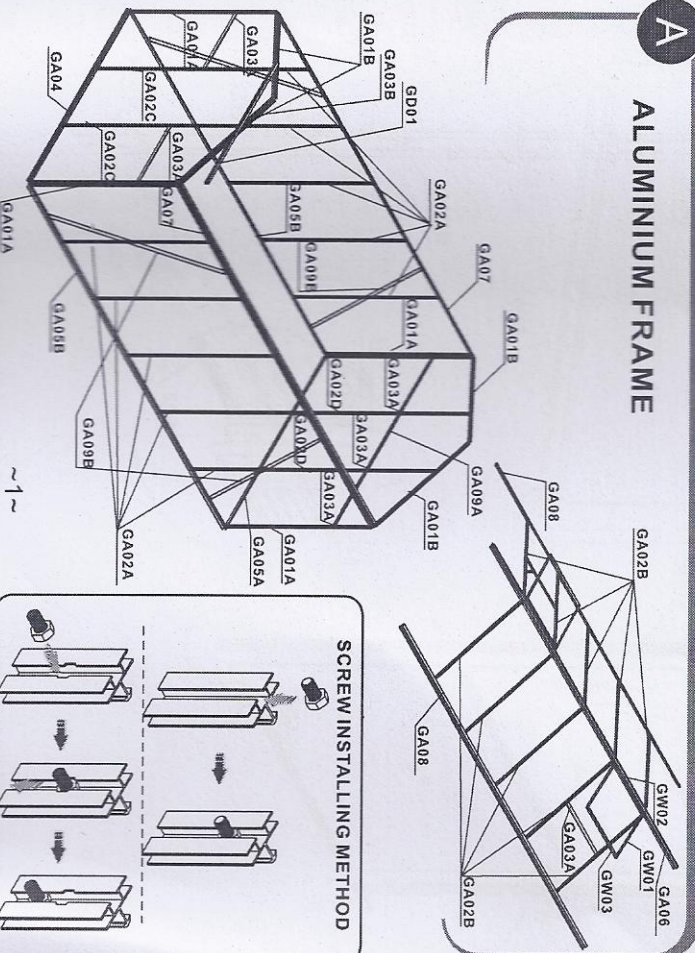


Note
Remove approximately 2 inches of film from all sheet edges before installing, and remove all film immediately after the construction is completed.
Please note the side with the sticker of "THIS SIDE FACE THE SUN" must face towards the sun.

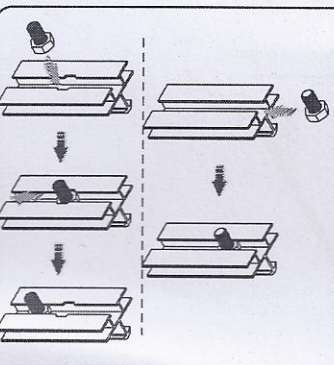


A

ALUMINIUM FRAME

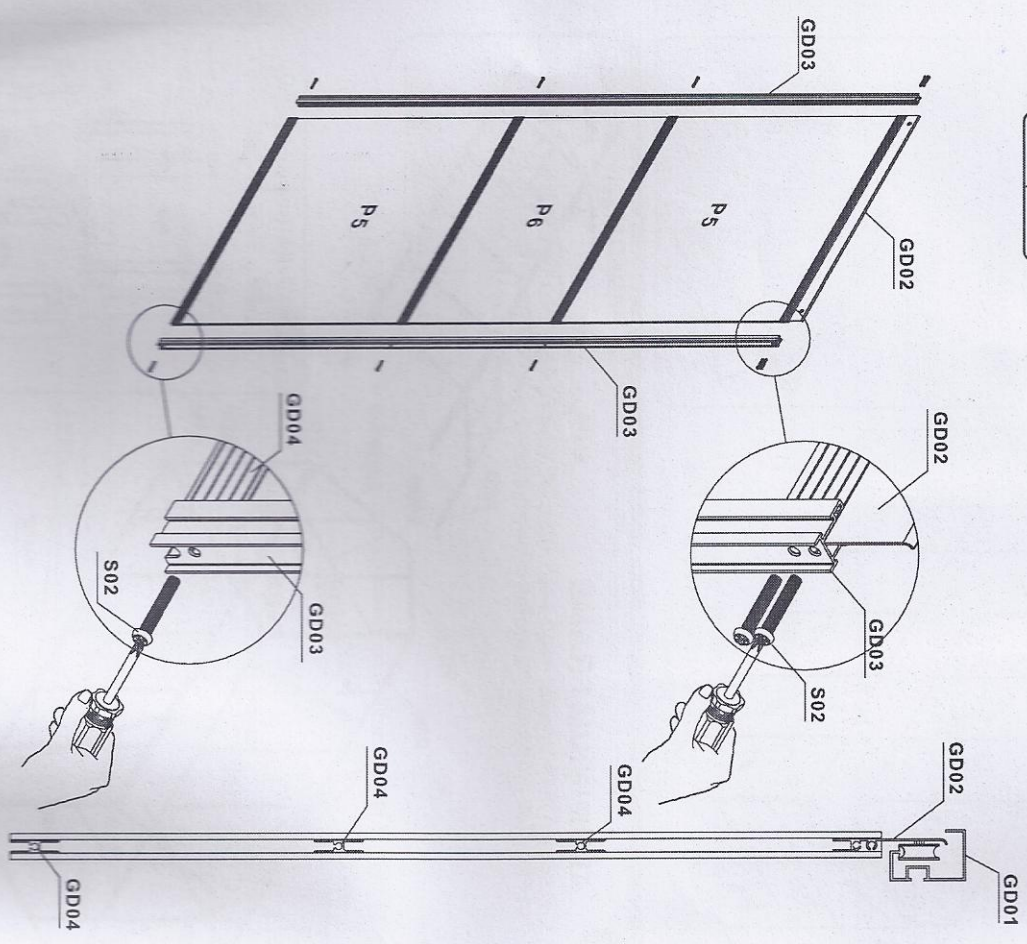
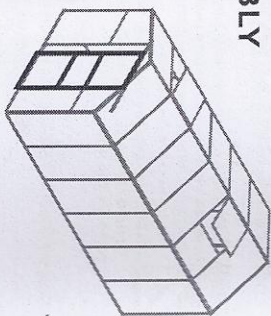
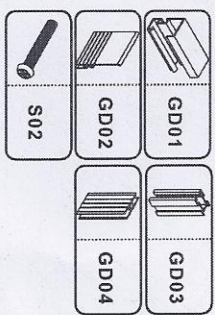


SCREW INSTALLING METHOD



D

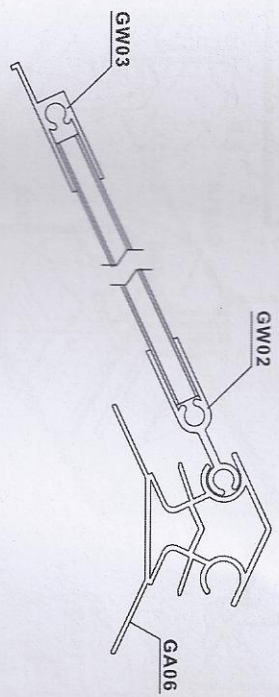
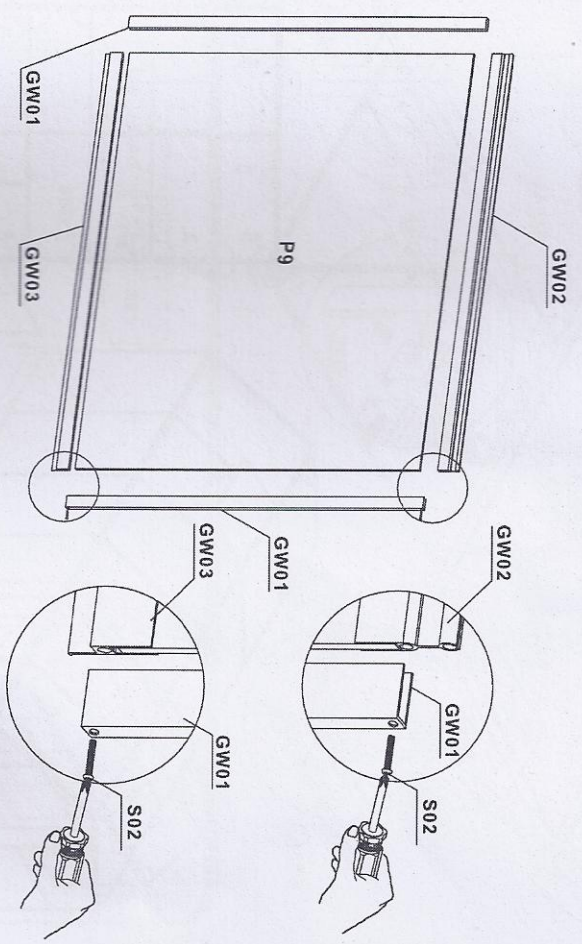
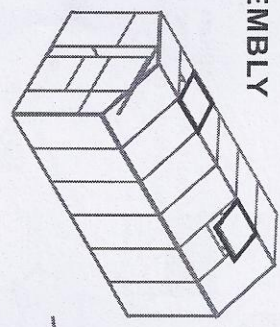
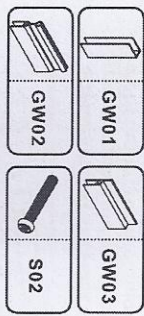
DOOR ASSEMBLY



~2~

W

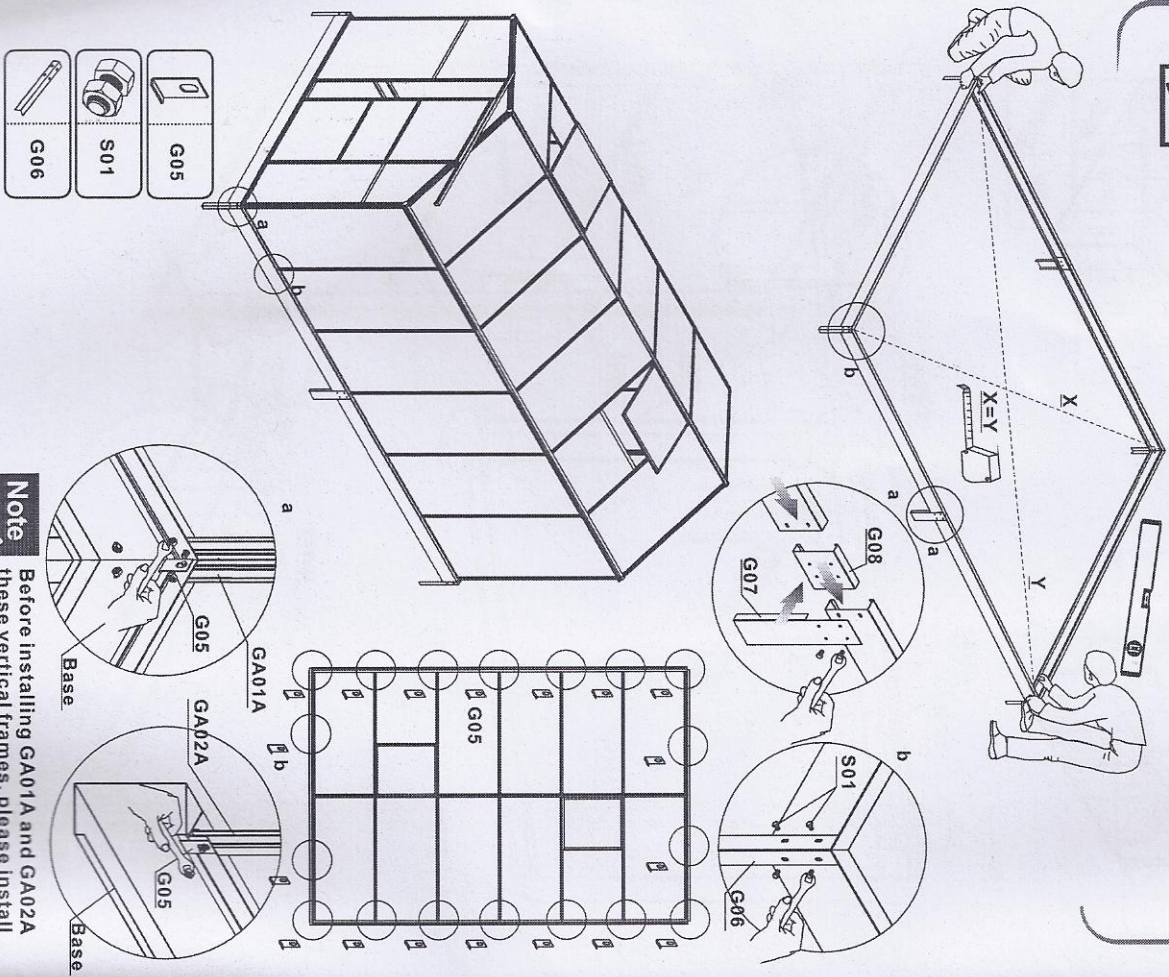
WINDOW ASSEMBLY



~3~

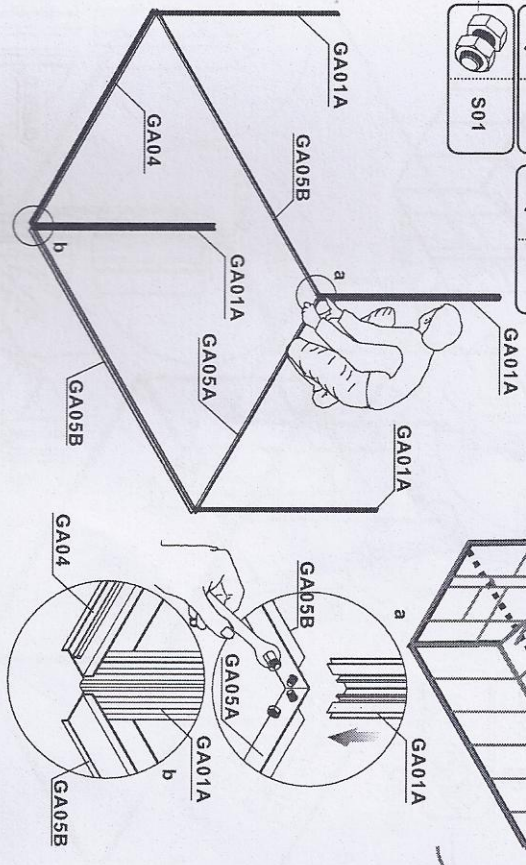
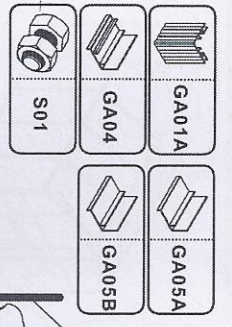
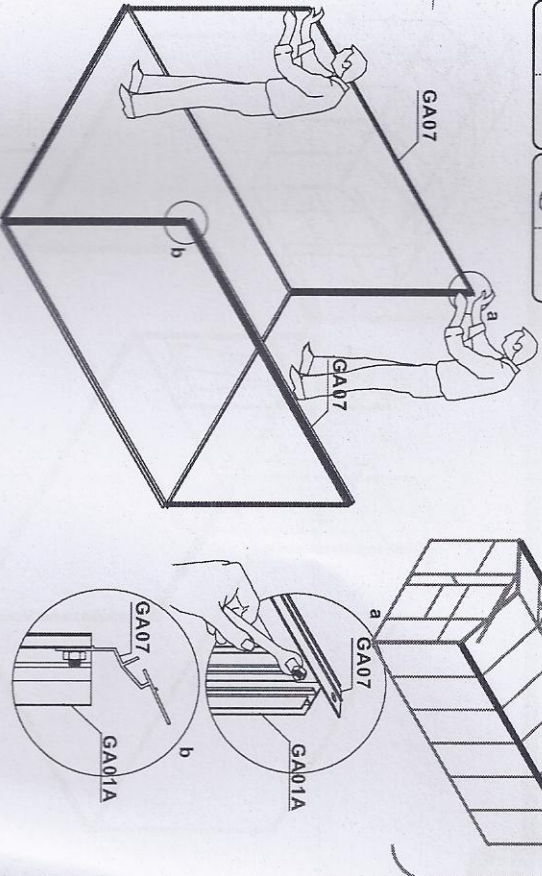
B**BASE ASSEMBLY**

Note
In order to facilitate installation, we recommend installing the base firstly. Please ensure the base is located in the horizontal position, and ensure the two diagonal lines of the base are the same size.



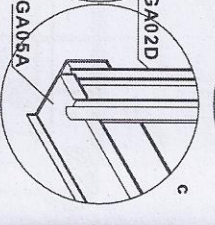
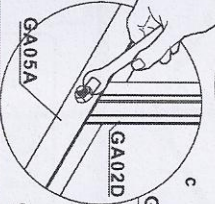
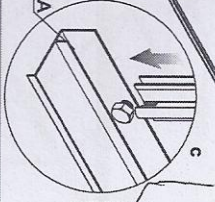
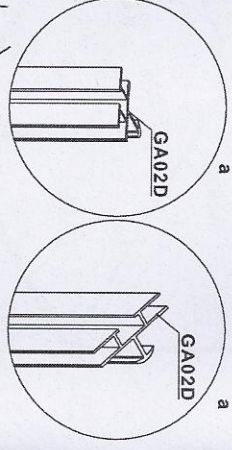
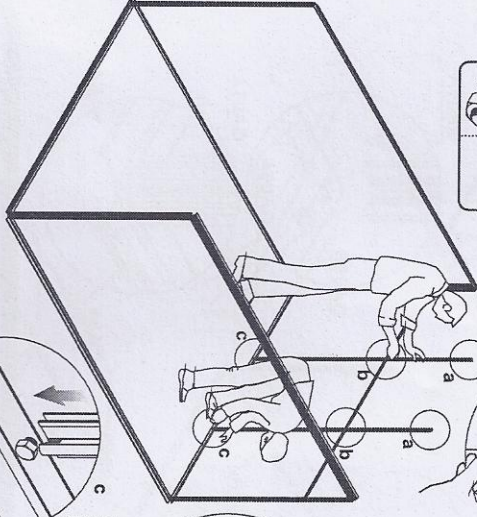
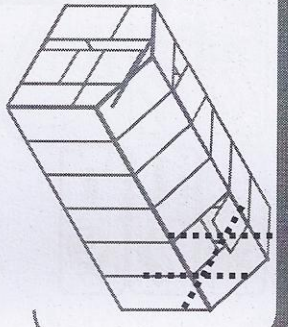
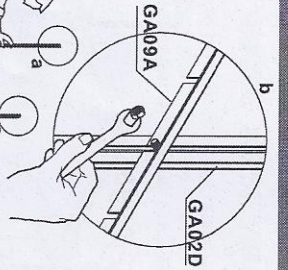
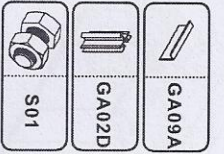
Note
Before installing GA01A and GA02A these vertical frames, please install the G05.

~4~

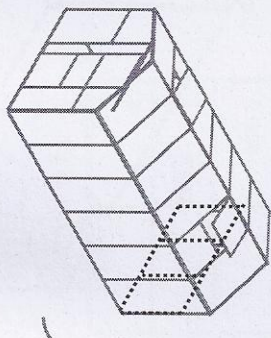
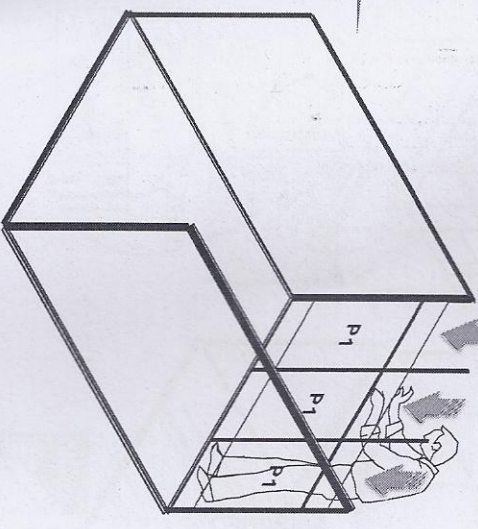
1**2**

~5~

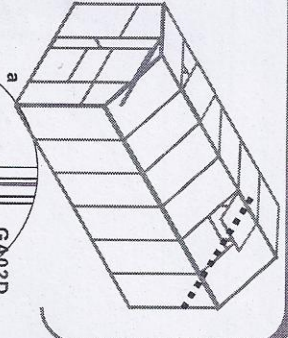
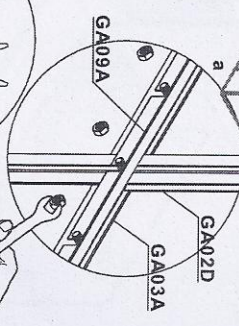
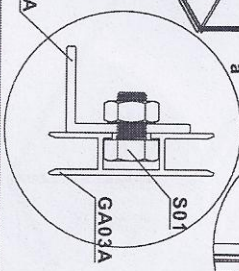
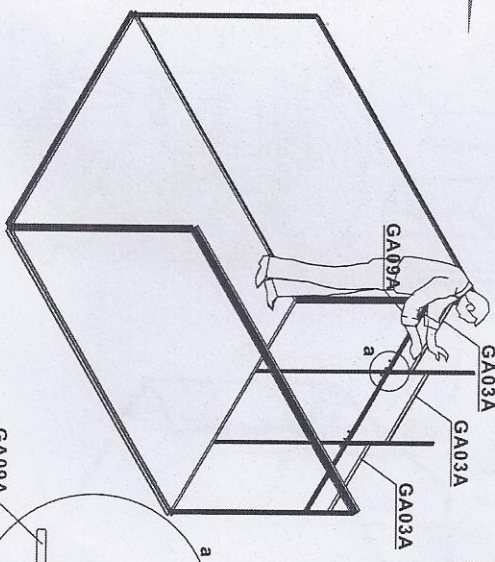
3



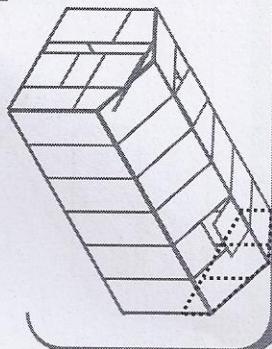
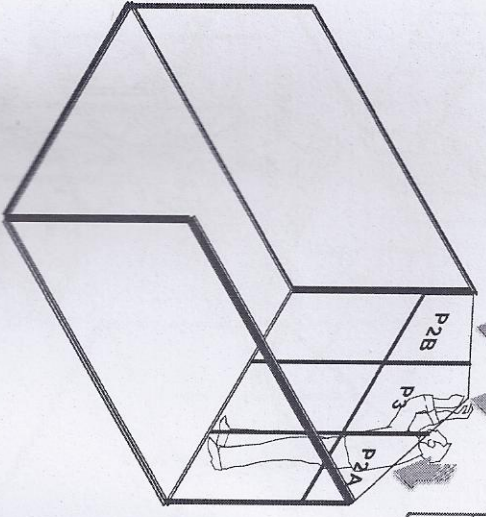
4



5



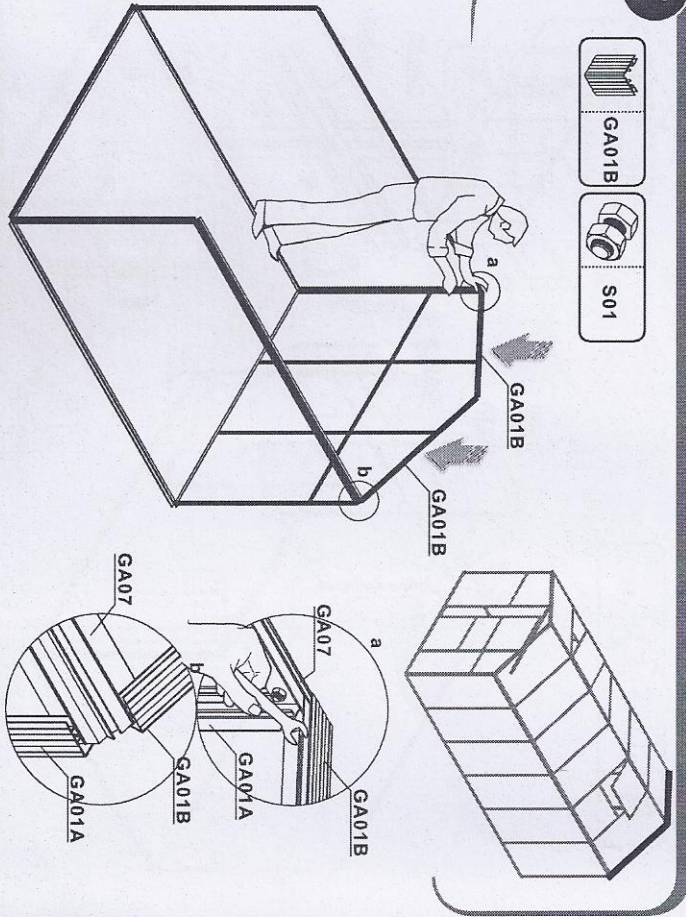
6



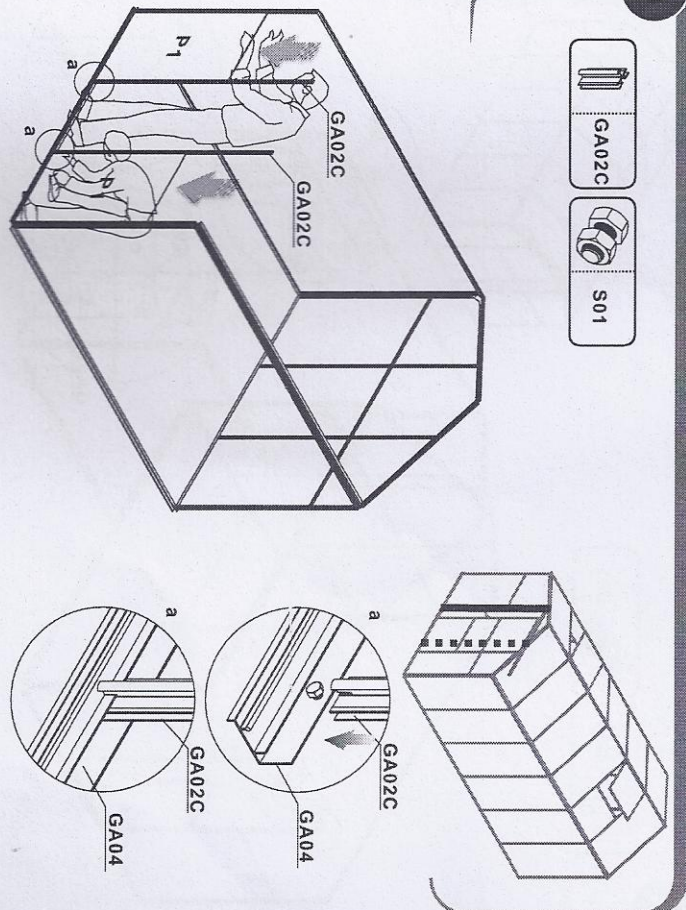
~6~

~7~

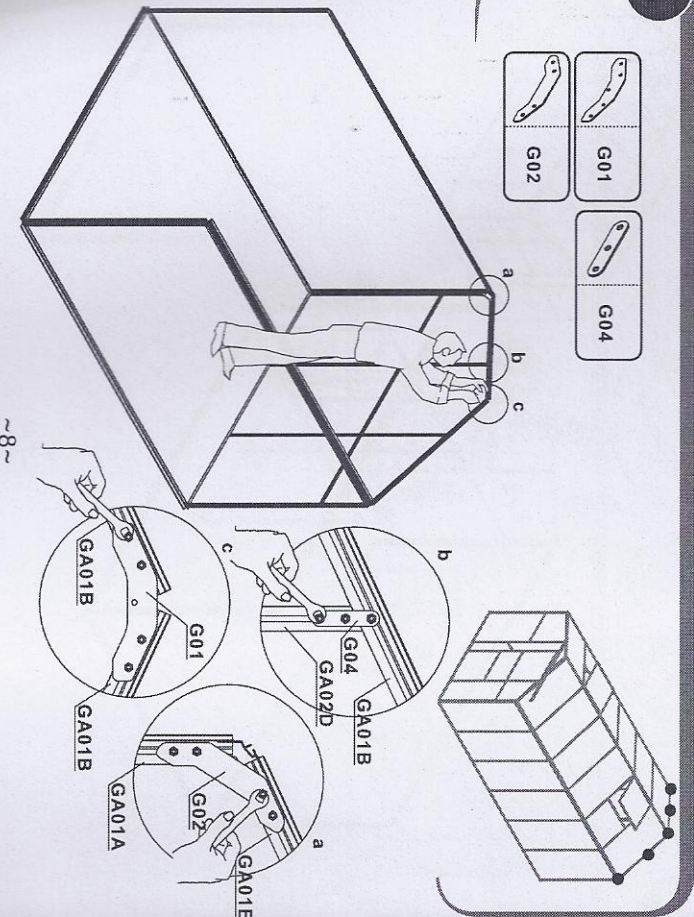
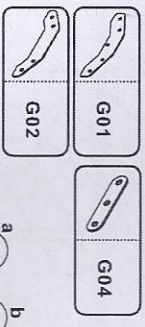
7



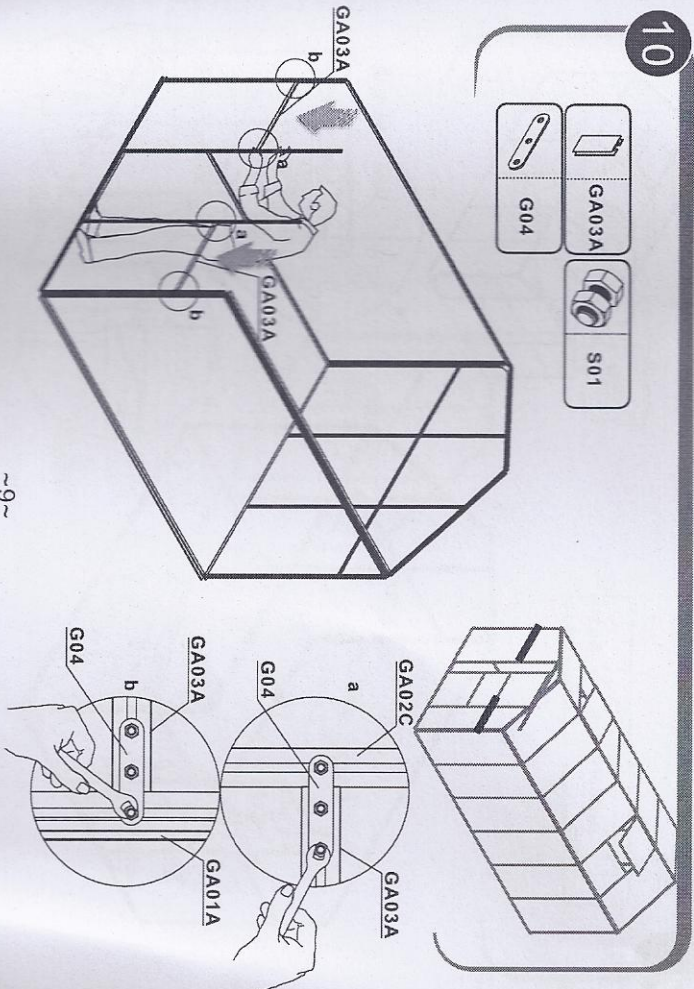
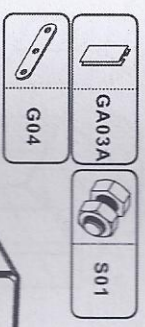
9



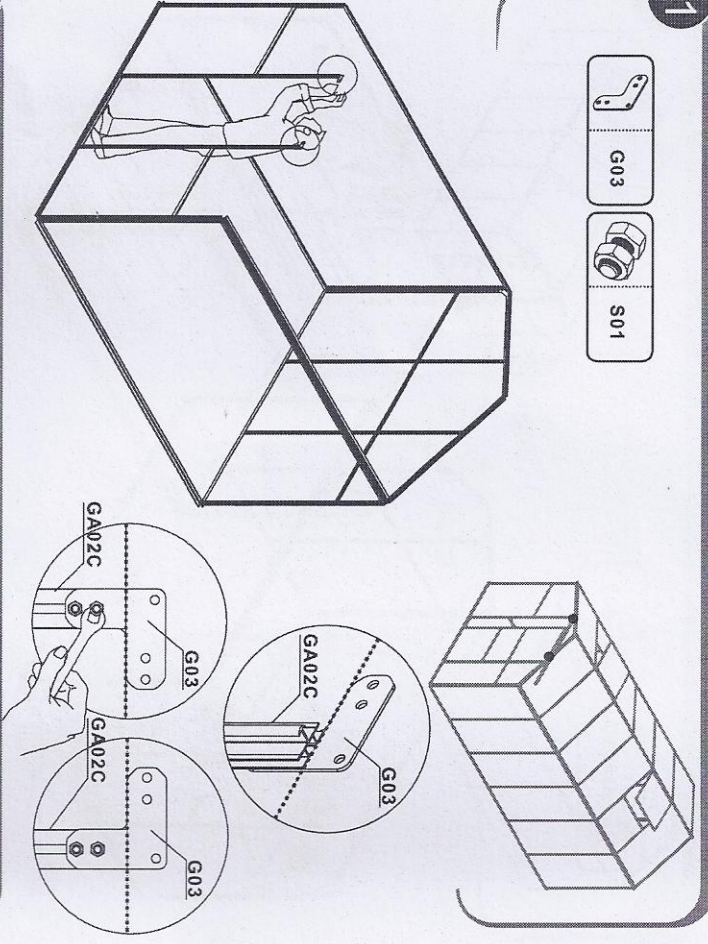
8



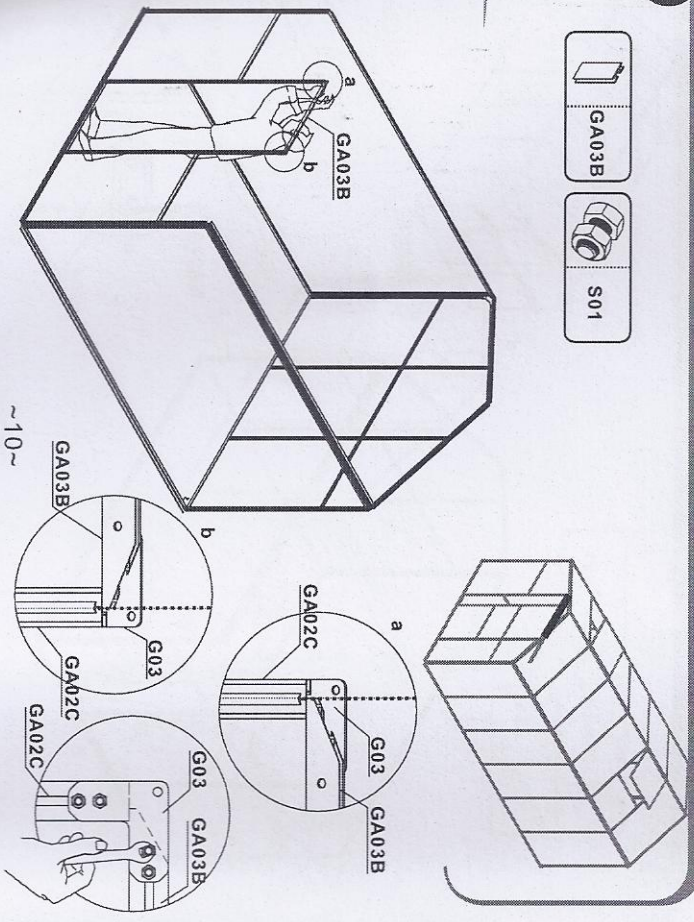
10



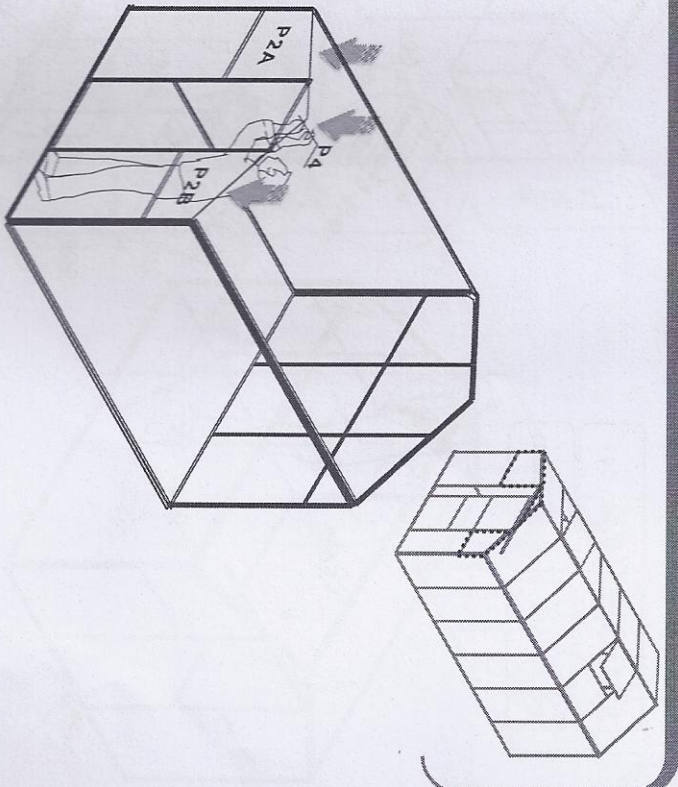
11



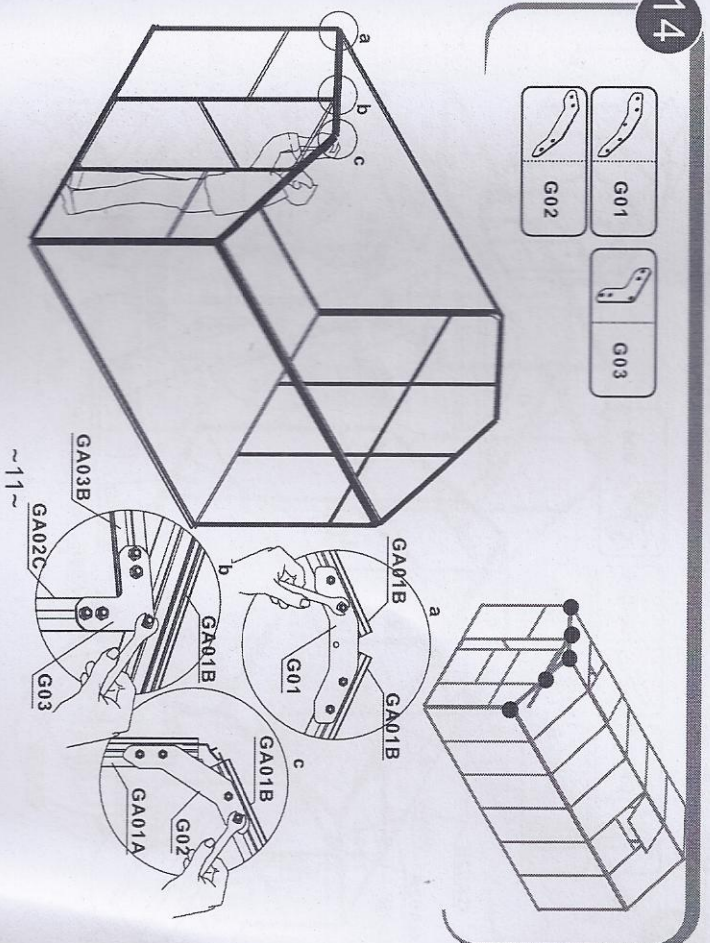
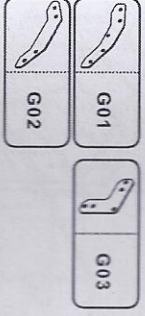
12



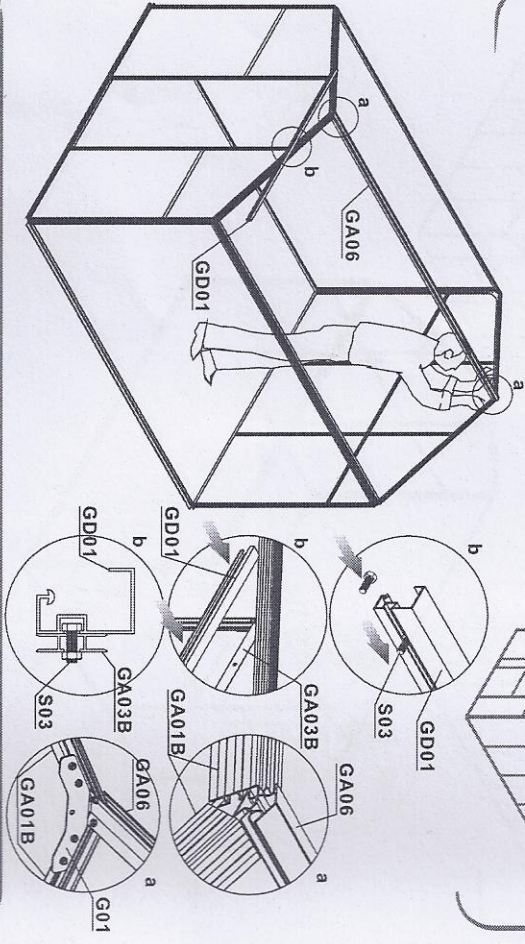
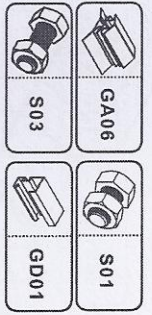
13



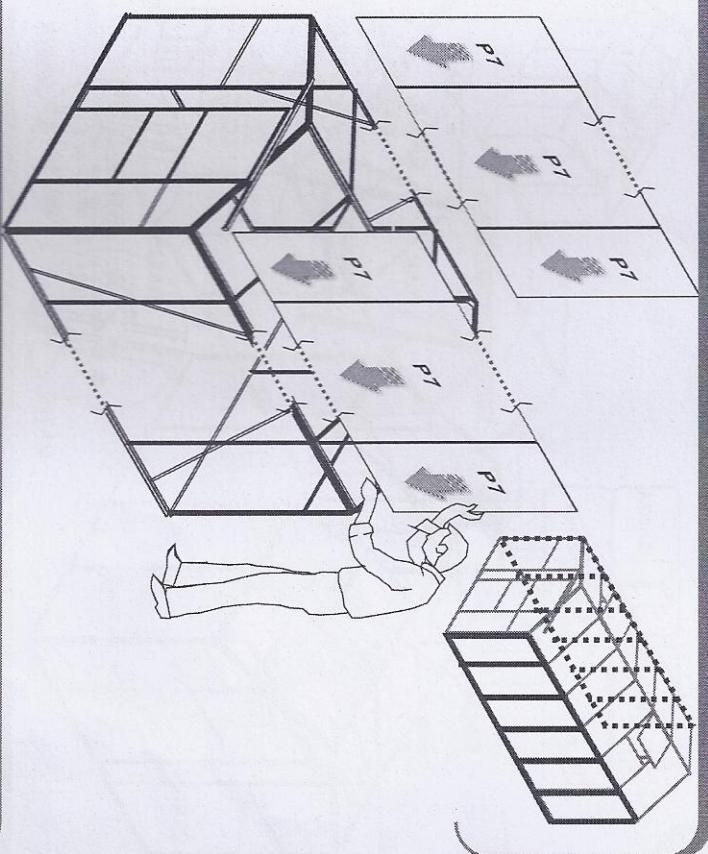
14



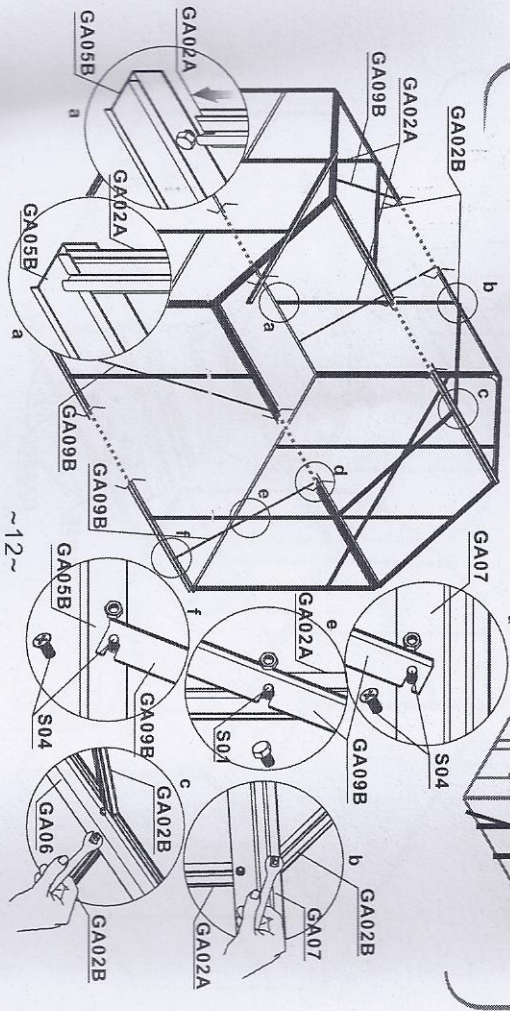
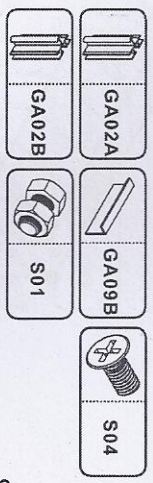
15



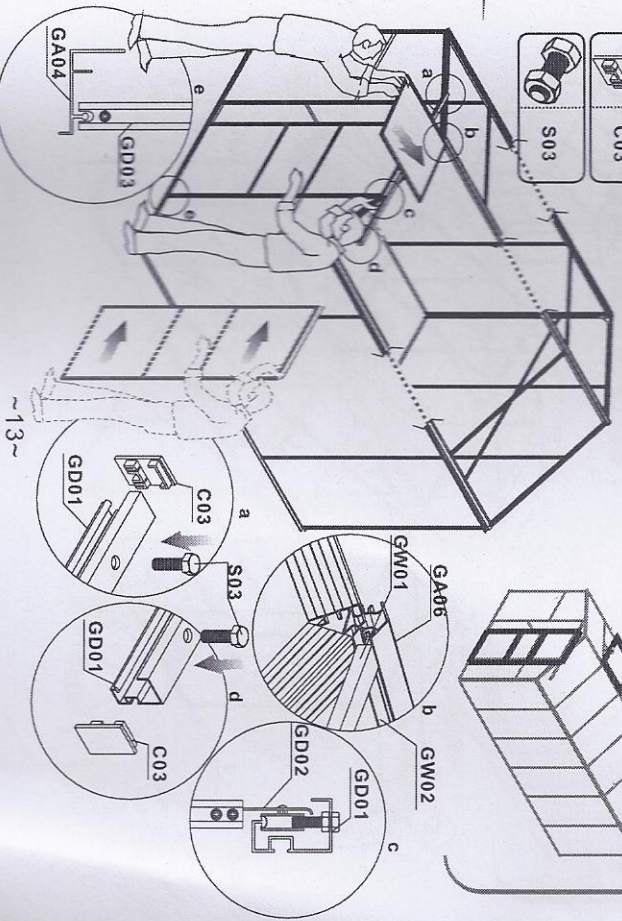
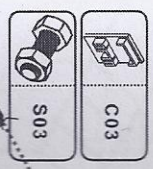
17



16



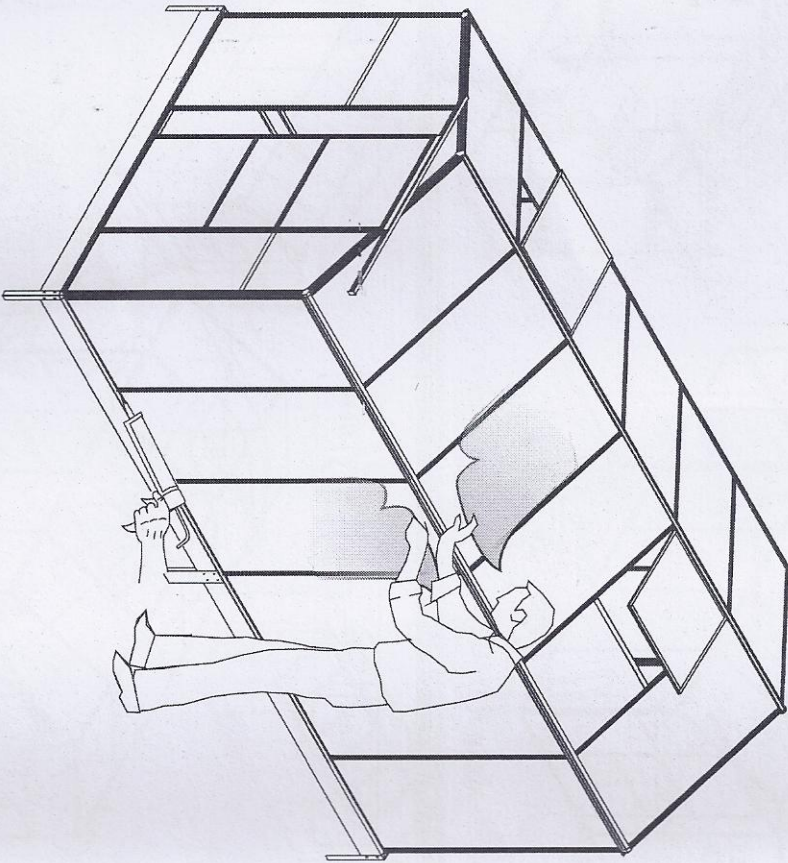
18





Note

- Silicon glue is our recommendation for sealing the polycarbonate panel bottom and the aluminum profile bottom together, and it is no necessary to use the silicon glue if it has been very tight between the polycarbonate panel bottom and the aluminum profile bottom.
- Removing all film for the polycarbonate sheet immediately after the construction is completed.



PARTS LIST

	GA01A	4		GA09A	1		G06	4
	GA01B	4		GA09B	4		G07	2
	GA02A	10		GW01	4		G08	2
	GA02B	10		GW02	2		C01	2
	GA02C	2		GW03	2		C02R	2
	GA02D	2		GD01	1		C02L	2
	GA03A	7		GD02	2		C03	2
	GA03B	1		GD03	4		S01	169
	GA04	1		GD04	6		N01	181
	GA05A	1		G01	2		S02	19
	GA05B	2		G02	4		S03	4
	GA06	1		G03	2		S04	9
	GA07	2		G04	10			
	GA08	2		G05	18			



Note

Remark:
For easy finding the correct part, different color label shows different part:
Red label for front & back cover, yellow label for the middle, green label for shared parts, purple label for the door, blue label for the window and brown label for accessories.