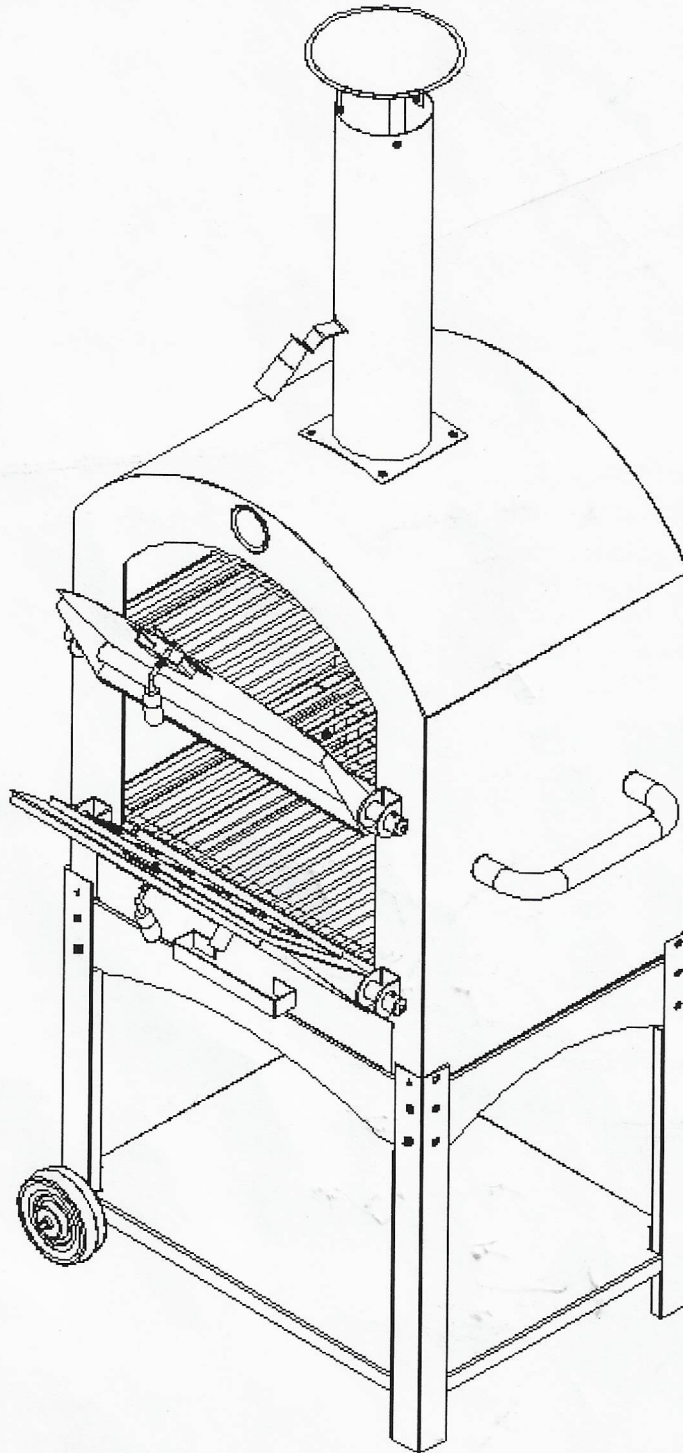


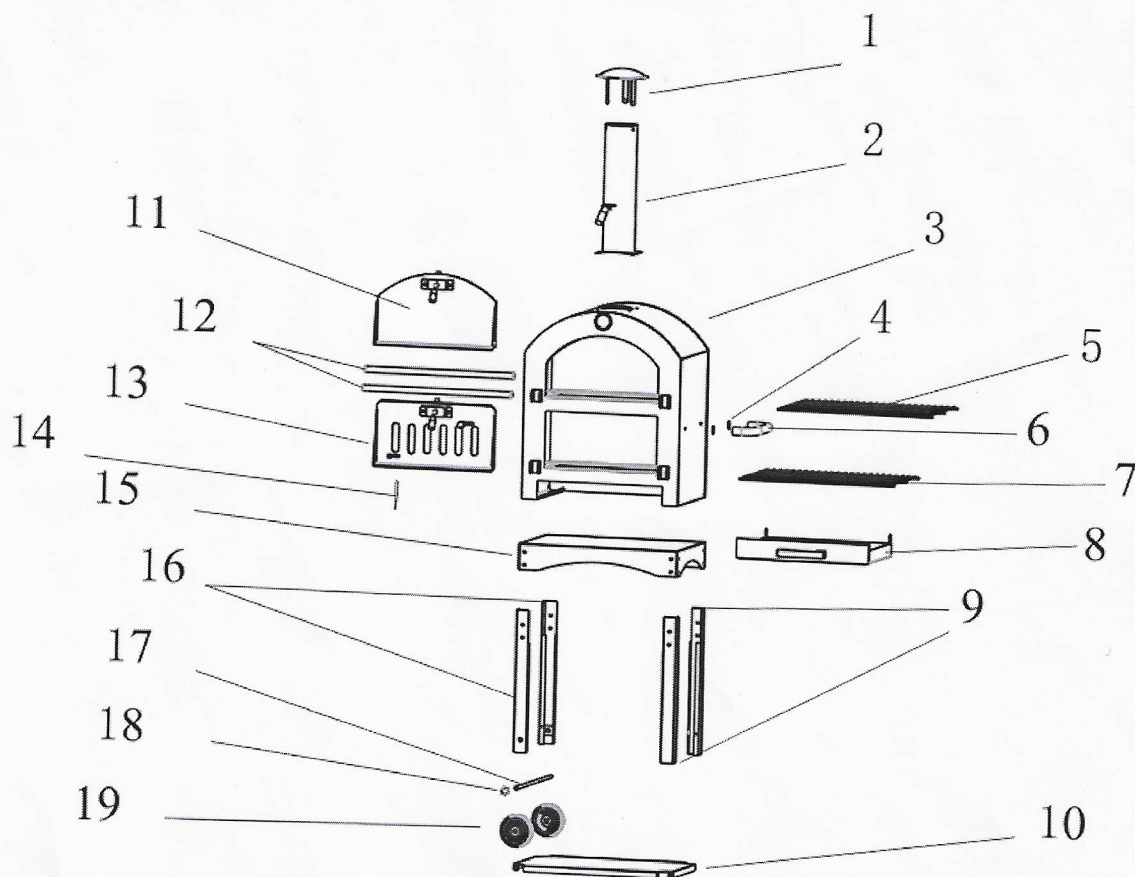
# KU-002B Series Installation Manual



" **WARNING!** Do not use spirit or petrol for lighting or re-lighting! Use only firelighters complying to EN 1860-3!"

The correct lighting procedures including the statement "do not cook before the fuel has a coating of ash. "

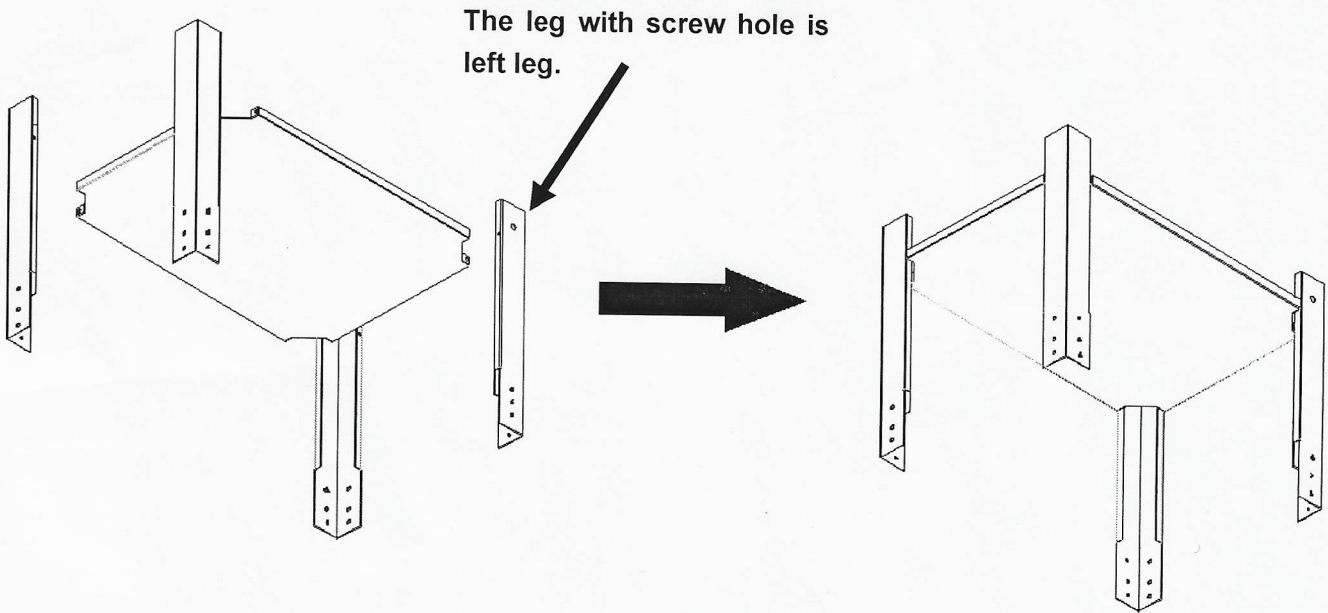
# PART LIST



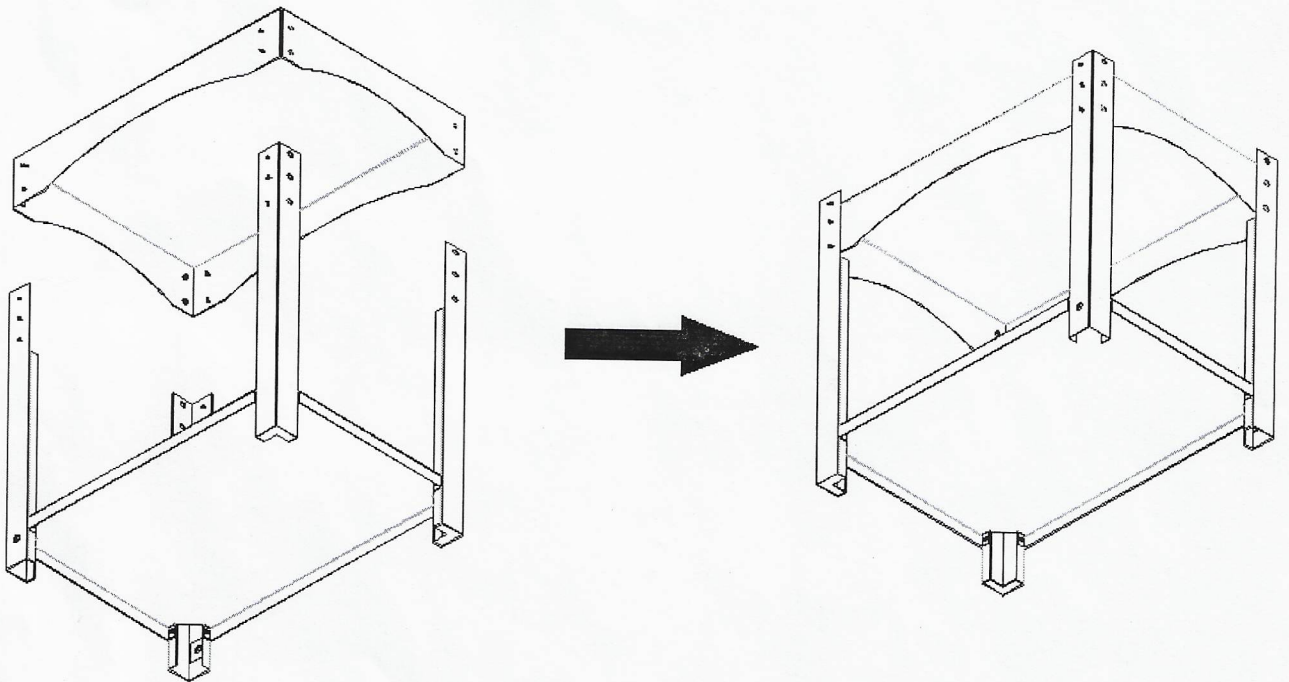
	Name	Quantity	Number
1	Chimney's cover	1	002B01
2	Chimney	1	002B02
3	Oven body	1	002B03
4	silicon rubber spacer	2	002B04
5	Cooking Grill	2	002B05
6	Handle	1	002B06
7	Charcoal Grill	2	002B07
8	Ash Tray	1	002B08
9	Right leg	2	002B09
10	Trolley's bottom plate	1	002B10
11	Up door	1	002B11
12	Door spindle	2	002B12
13	Under Door	1	002B13
14	R plug	4	002B14
15	Trolley's top plate	1	002B15
16	Left leg	2	002B16
17	Wheel spindle	1	002B17
18	M6 Screw nut	2	002B18
19	Wheel	2	002B19
	M5*10 Screw	37	
	φ6 spacer	4	

## Installation for base

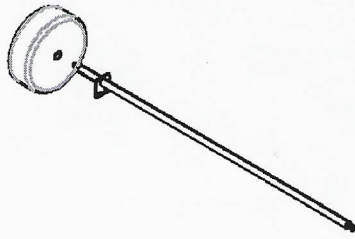
Step 1: Connect four leg to Trolley's bottom plate by 8 pieces M5\*10 screws



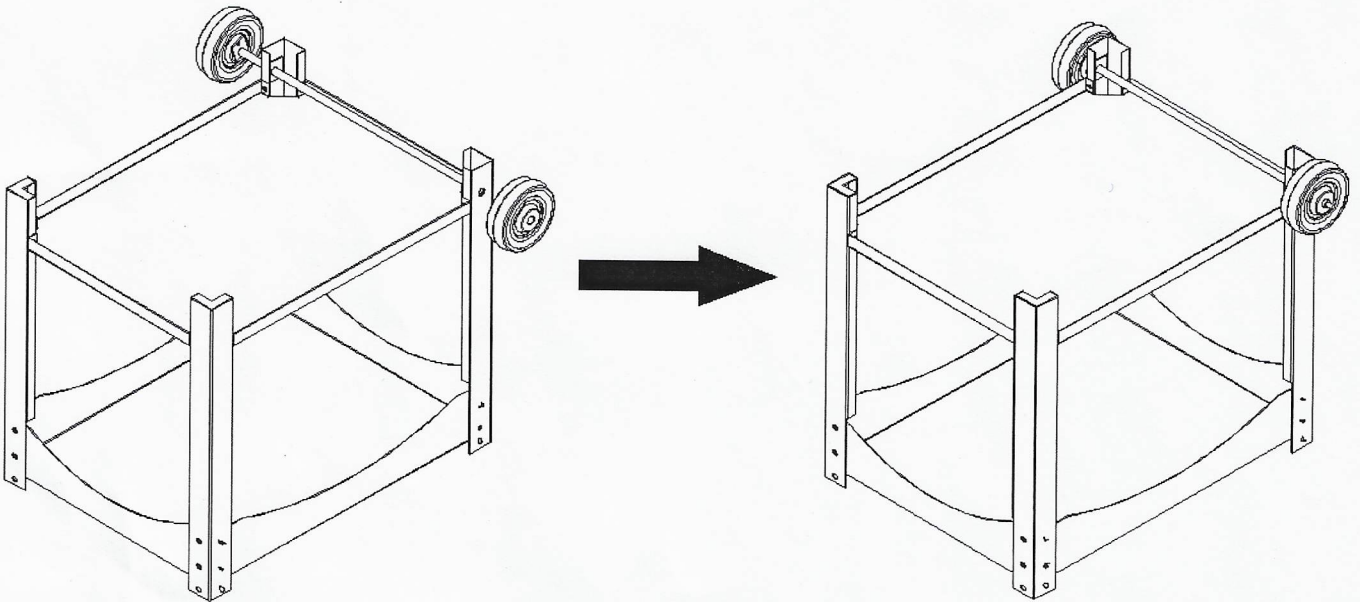
Step 2: Connect the Step1 part to Trolley's top plate by 16 pieces M5\*10 screws



Step 3: Connect one wheel to wheel spindle by one spacer and 1 piece M6 screw nut

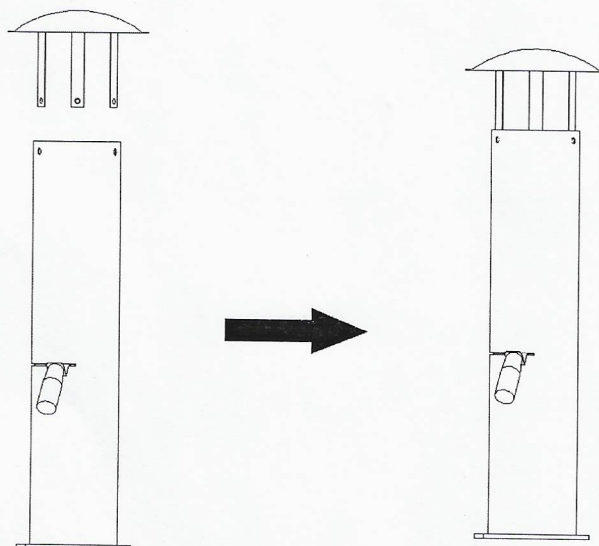


Step4: Connect step2, step3 part to another wheel by one  $\Phi 6$  spacer and 1piece M6 screw nut

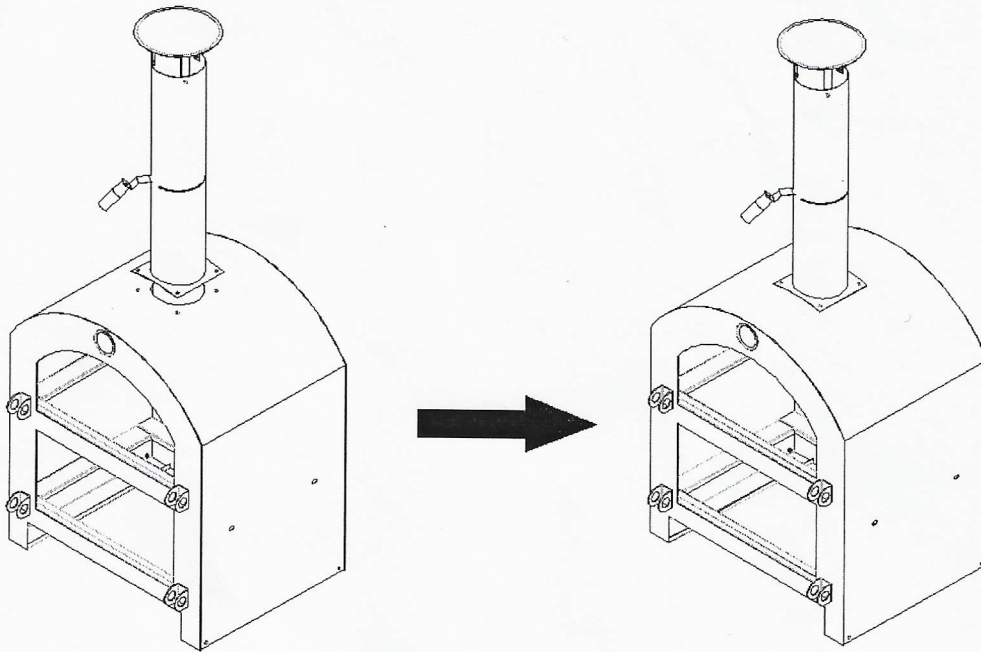


## Installation for body

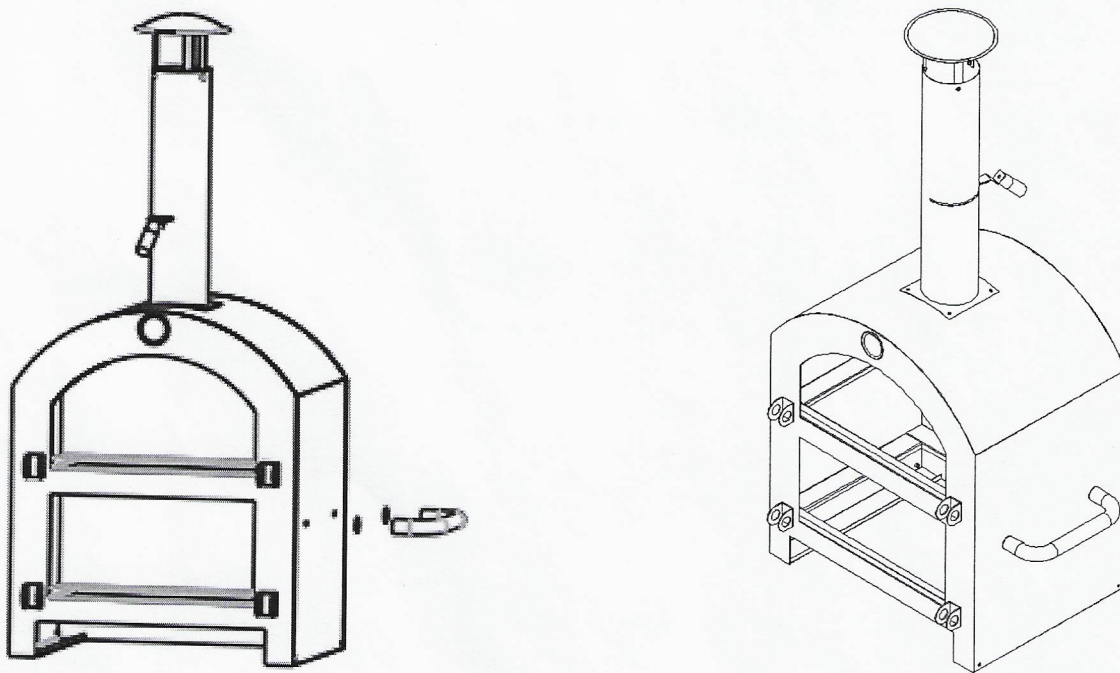
Step5: Connect chimney cover to chimney by 3 pieces M5\*10 screws



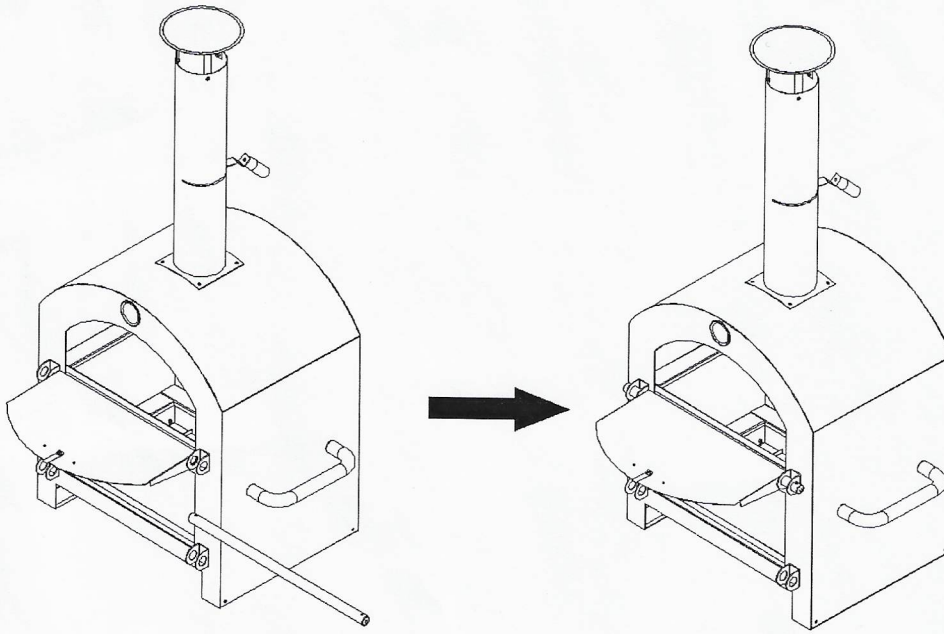
Step6: Connect Step 5 part to oven body by 4 pieces M5\*10 Screws.



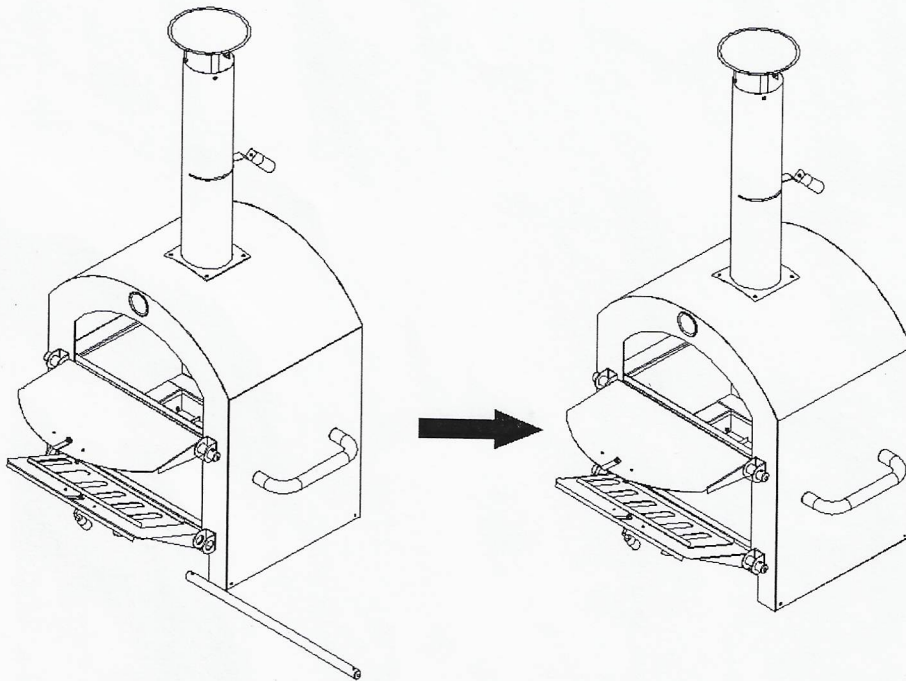
Step7: Connect handle to oven body by 2 pieces M5\*10 screws and 2 pieces  $\phi 6$  spacers 、 2 pieces silicon rubber spacers. The silicon rubber spacers should be between the handle and body.



Step8: Connect up door to Step 7 part by 2 pieces R plug and 1 piece door spindle

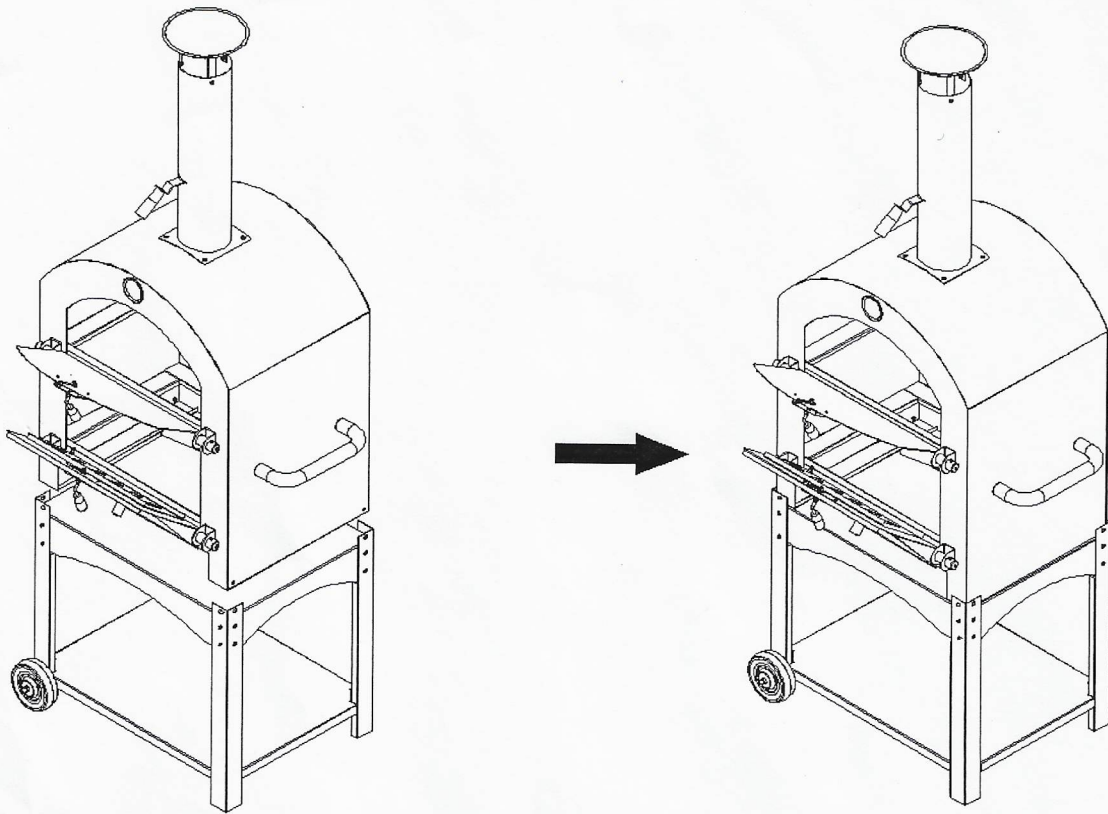


Step9: Connect under door to Step 8 part by 2 pieces R plug and 1 piece door spindle

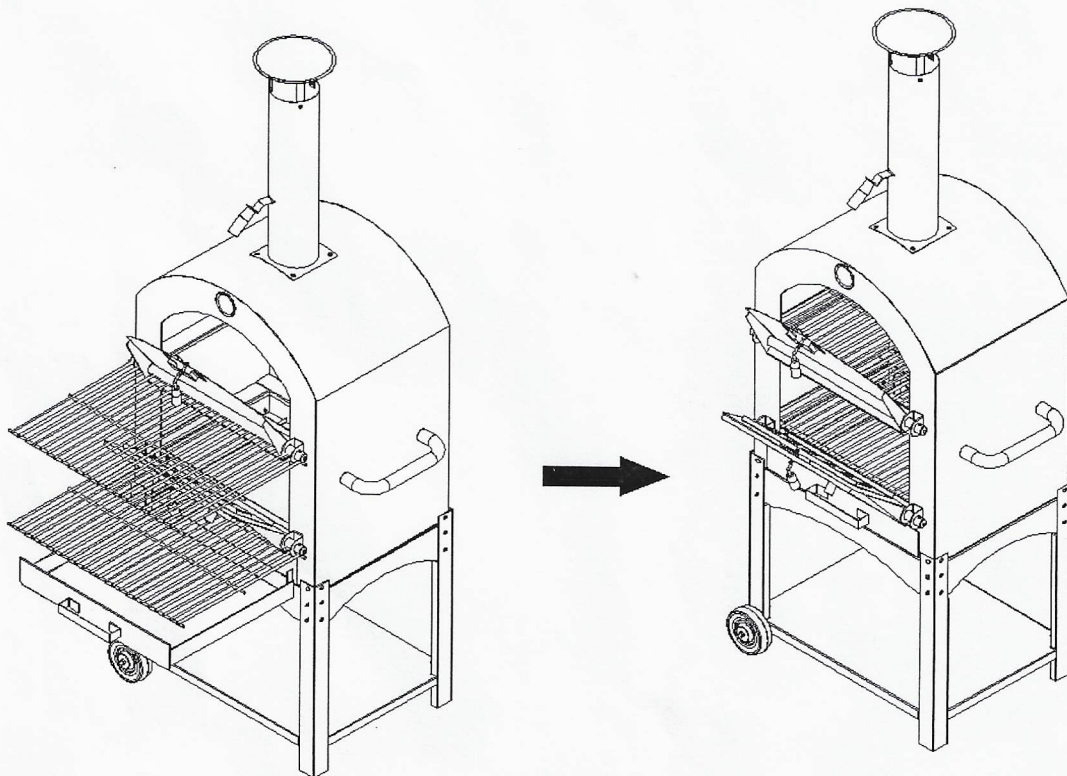


Step6: Connect oven body to base(Step 4

Part) by 4 pieces M5\*10 screws



Step7: Put the cooking grill, charcoal grill and ash tray into the oven body



Now, your oven is ready for use. Enjoy your time!