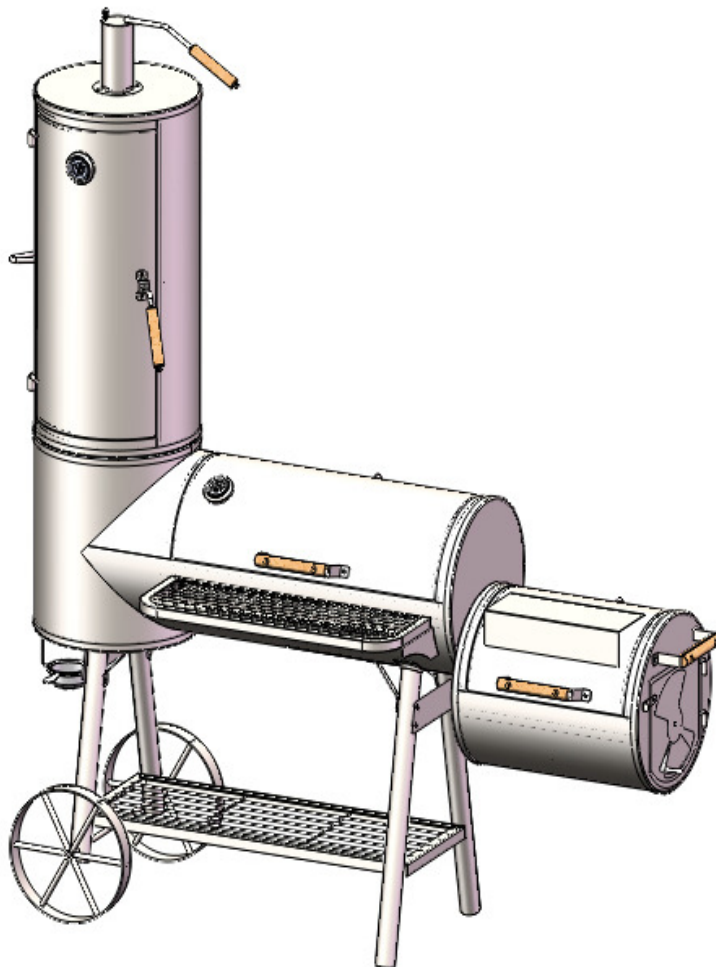





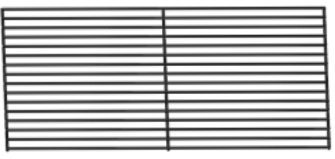
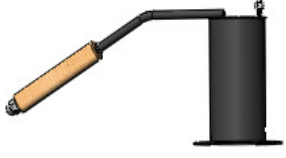
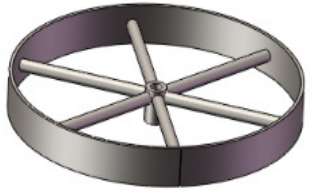





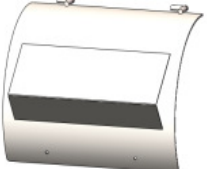



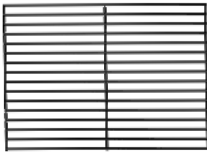

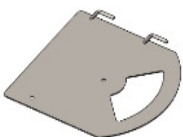


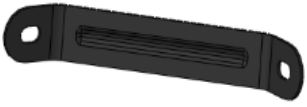
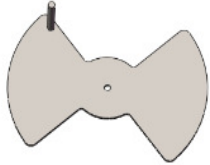








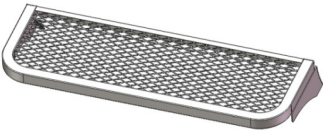
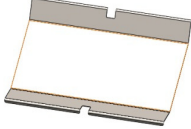


KBW Trading GmbH

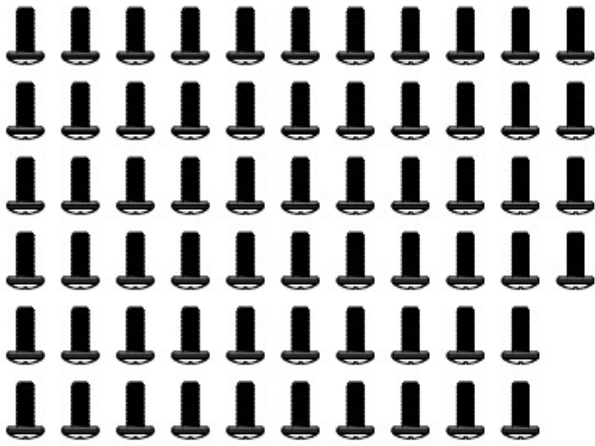
ATR NUMBER: 2225



1. Part List

No.	Part	Qty	Picture	No.	Part	Qty	Picture
1	Main body	1		17	Main Body Charcoal Pan	1	
2	Smoker Body	1		18	Main Body Charcoal Grid	1	
3	Chimney	1		19	Wheel	2	
4	Handle	1		20	Axle	1	
5	Smoker lid	1		21	Main Body Lid	1	
6	Side Box	1		22	Side Box Lid	1	
7	Side Box Grid	2		23	Main Body Grid	3	
8	Smoker Grid	4		24	Side Box Charcoal Grid	1	
9	Foot Bracket	2		25	Charcoal Door	1	

10	Body Bracket	4		26	Damper	1	
11	Bottom Rack	1		27	Flap Buckle	1	
12	Left-Back Foot	1		28	Right-Back Foot	1	
13	Left-Front Foot	1		29	Right-Front Foot	1	
14	Side Box Handle	3		30	Thermometer	2	
15	Front Plate	1		31	Side box charcoal pan	1	
16	Oil cup	1		32	Oil Cup Hooks	1	



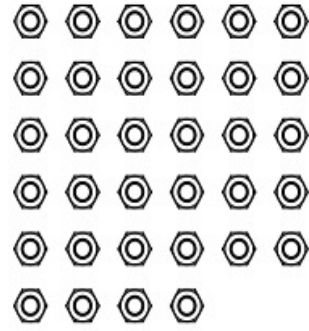
M6X15 64 PCS



Locknut M10 2 PCS



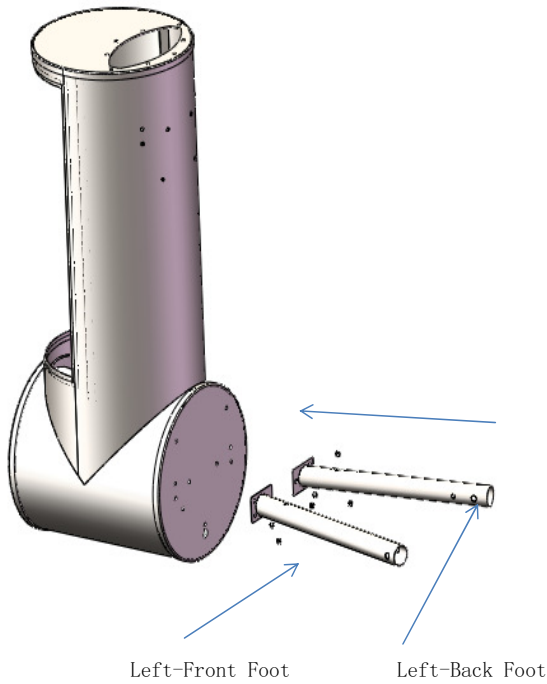
M6X10 1 PC



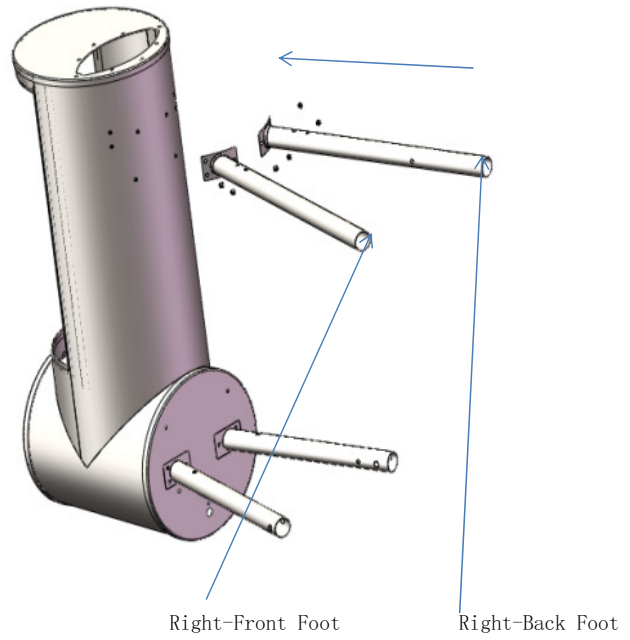
M6 34 PCS

2. Assemble instruction

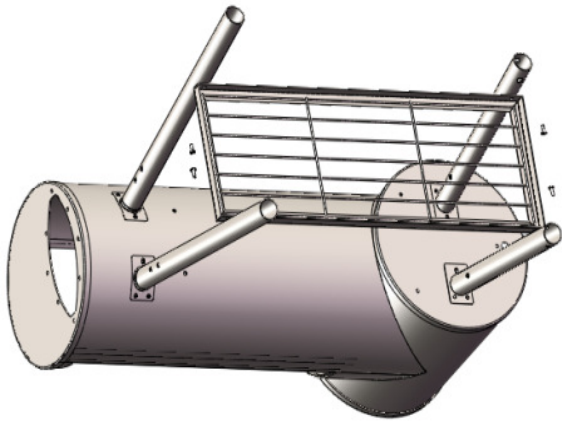
2.1 Assemble the feet with M6*15 screw and M6 nut



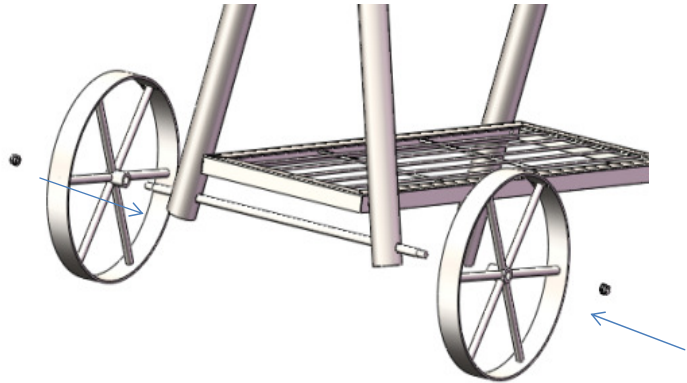
2.2 Assemble the feet with M6*15 screw and M6 nut



2.3 Assemble Bottom Rack with M6*15 screw



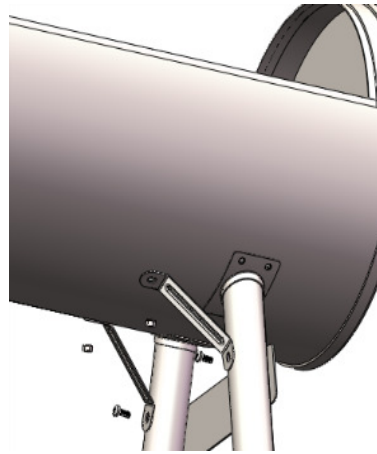
2.4 Assemble the Axle and the Wheel with M10 Lock Nut



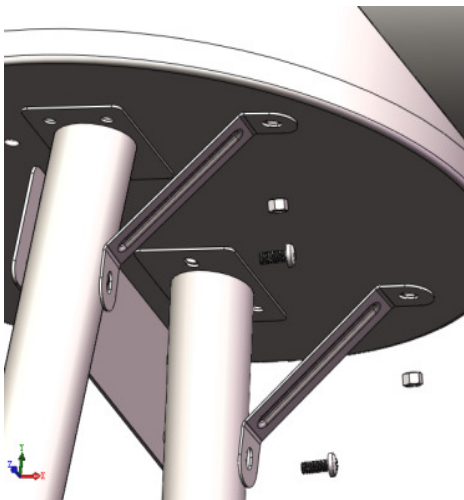
2.5 Assemble the Foot Bracket with M6*15 screw



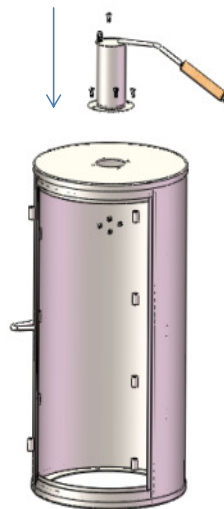
2.6 Assemble the Body Bracket with M6*15 screw and M6 nut



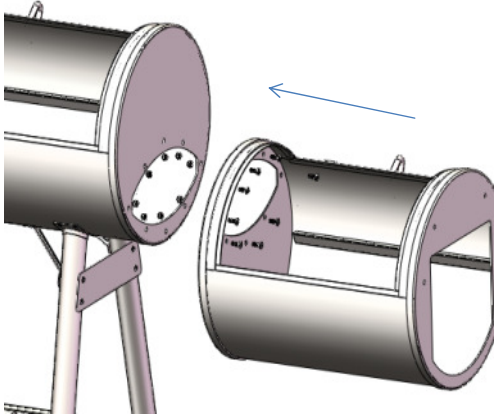
2.7 Assemble the Body Bracket with M6*15 screw and M6 nut



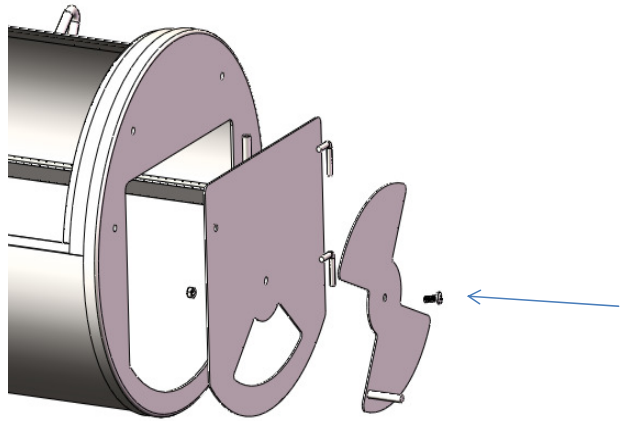
2.8 Assemble the Chimney with M6*15 screw and M6 nut



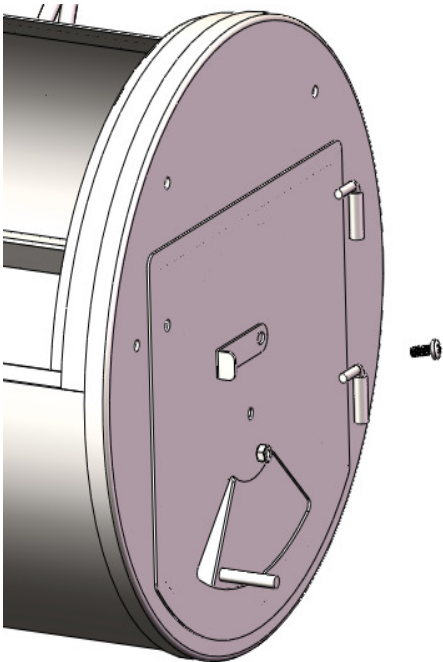
2.11 Assemble the side box with M6*15



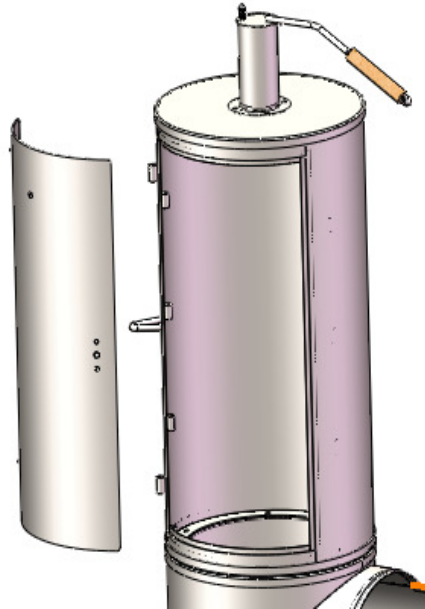
2.12 Assemble the Charcoal Door and the Damper with M6*15 screw and M6 nut



2.9 Assemble Damper Lock with M5 step screw



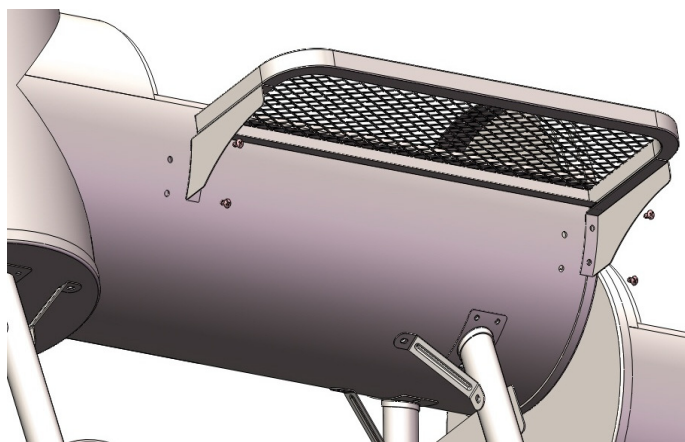
2.10 Assemble the Smoker Lid



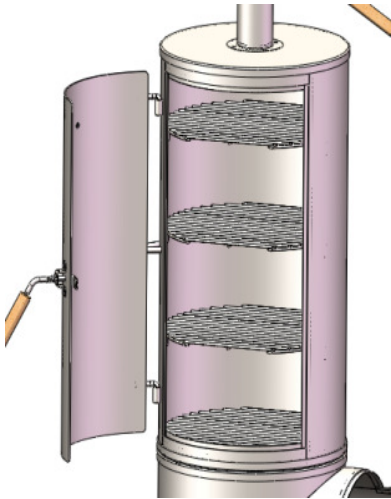
2.13 Assemble the handle on the smoker lid with M10 lock nut



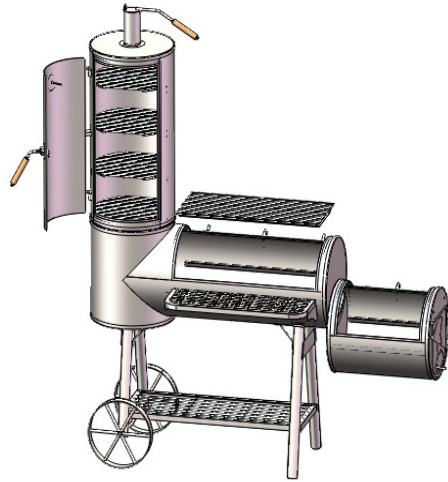
2.14 Assemble the Front Plate on the Body with M6*15 screw and M6 nut



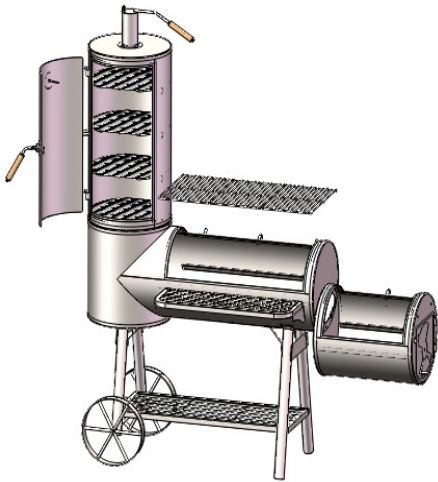
2.15 Assemble the Smoker Grid in the smoker body



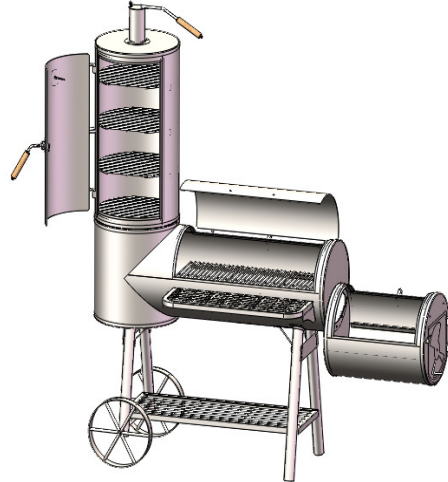
2.16 Assemble the charcoal pan and the charcoal grid



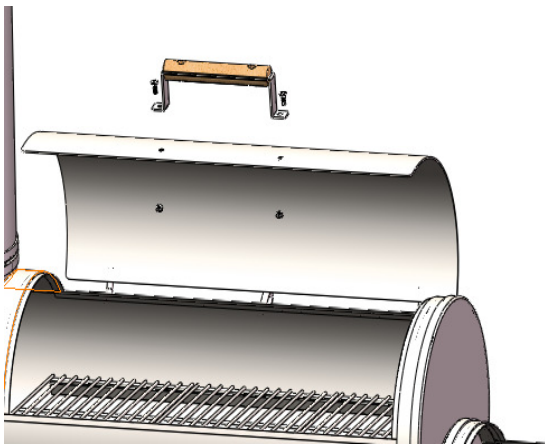
2.17 Assemble the grid in the main body



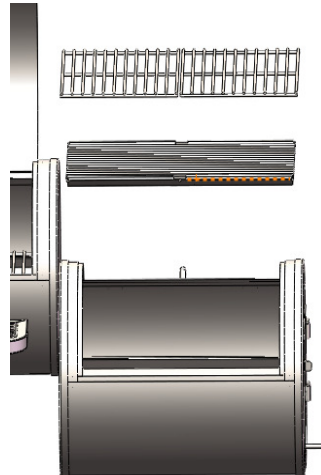
2.18 Assemble the main body door



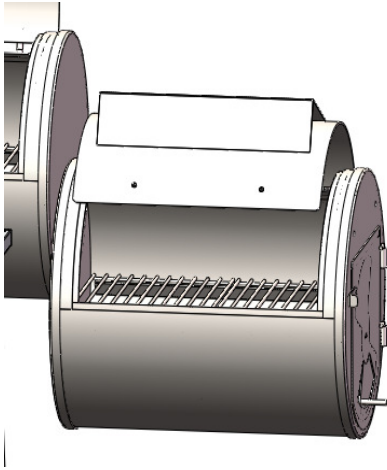
2.19 Assemble the handle on the main body lid with M6*15 screw and M6 nut



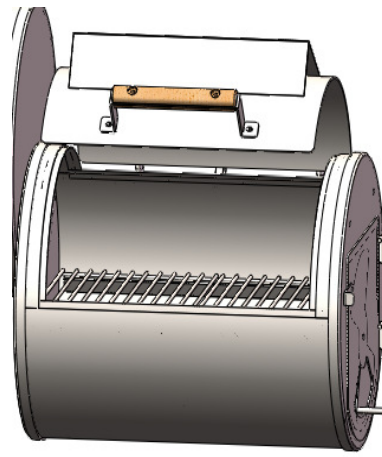
2.20 Assemble the charcoal grid, the charcoal pan and the cook grid in the side box



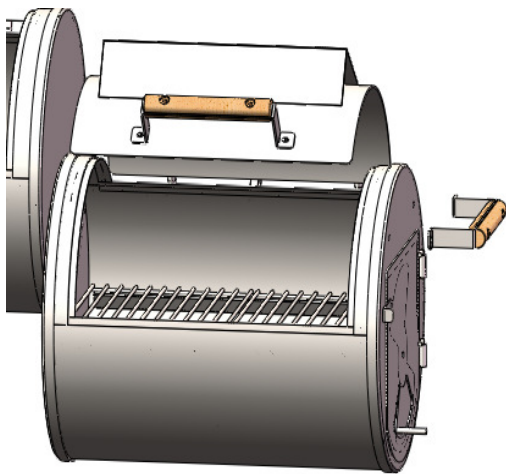
2.21 Assemble the side box lid



2.22 Assemble the handle on the side box lid with M6*15 screw and M6 nut



2.23 Assemble the handel on the side of the side box with M6*15 screw and M6 nut



2.24 Assemble the Oil cup and Oil cup hook



2.25 Assemble the thermometer and finish the assembling

