



GARDEN GAZEBO „KAIRO LIGHT“

Article-No.: 2950 (beige) + 2951 (anthracite)

288 x 288 x 222 cm


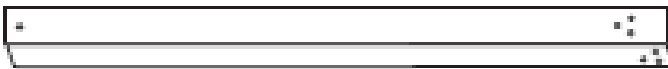




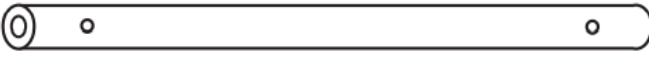
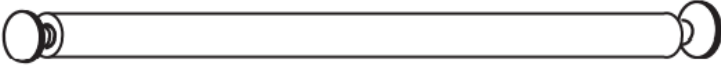


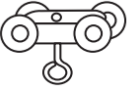


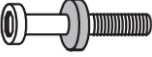
- ASSEMBLY- AND USER MANUAL -












***Installation-videos and further instructions
for our products can be found on
the respective page of our website***

***Further products for office, home and garden
can be found on
www.jet-line.de***

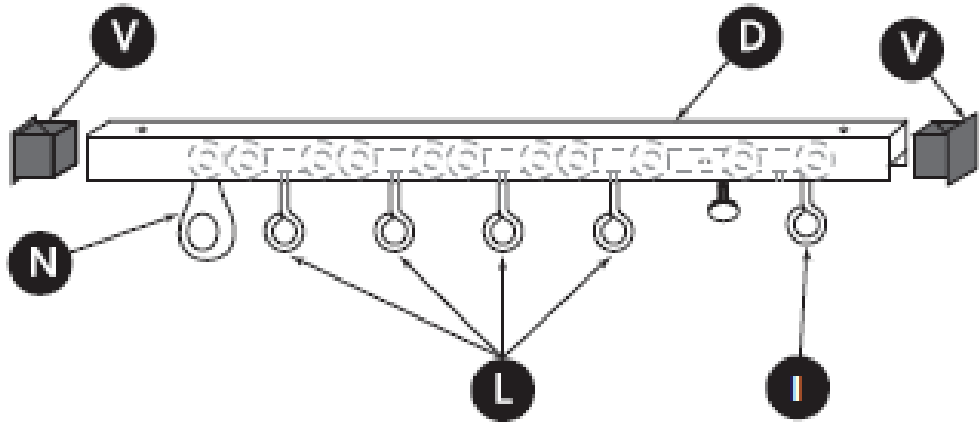
Part-List

No.	Drawing	Description	Qty.
A		Foot A	2
B		Foot B	2
C		Beam C Upper frame	1
D		Middle Rail	1
E		Beam E Upper Frame	1
F		Beam F Upper Frame	2
G		Outer Stabilisation Bar Fabric-Roof	1
H		Stabilisation Bar Fabric Roof	5
I + J		Roll I (+ Screw J)	1
L		Roll L	5
M		Roll M	10
N		Roll N	1
O		Screw M6x75	2
P		Special Screw M6x35	24

R		Screw M6x12	8
S		Allen Key	1
T		Screwdriver	1
U		Roof-Fabric	1
V		End Cap	10
W		Upper Cap	4
X		Screw M6x30	2
Y		Base Plate	4
Z		Ground Anchor	8

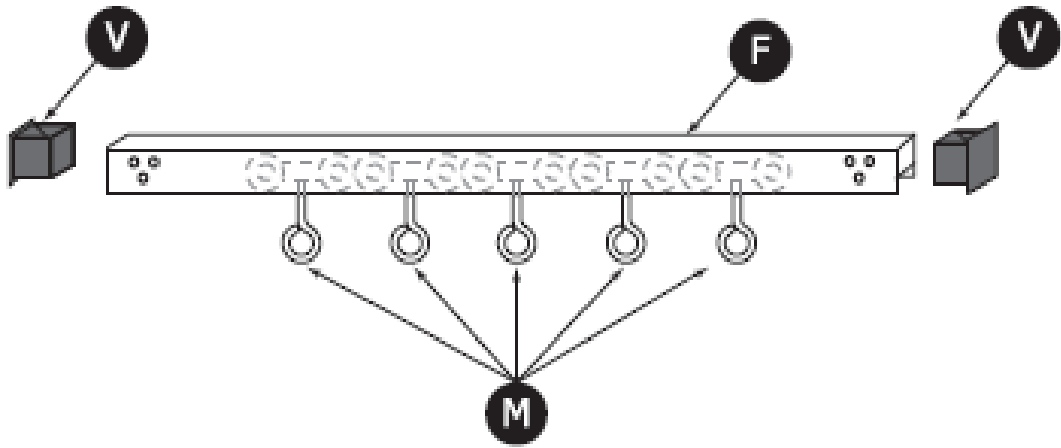
Assembly Instruction

STEP 1



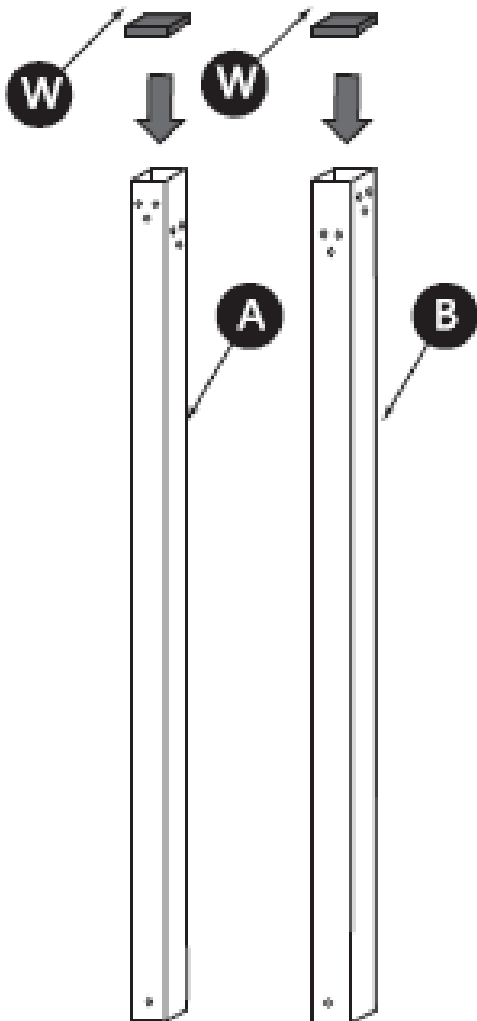
STEP 2

x 2

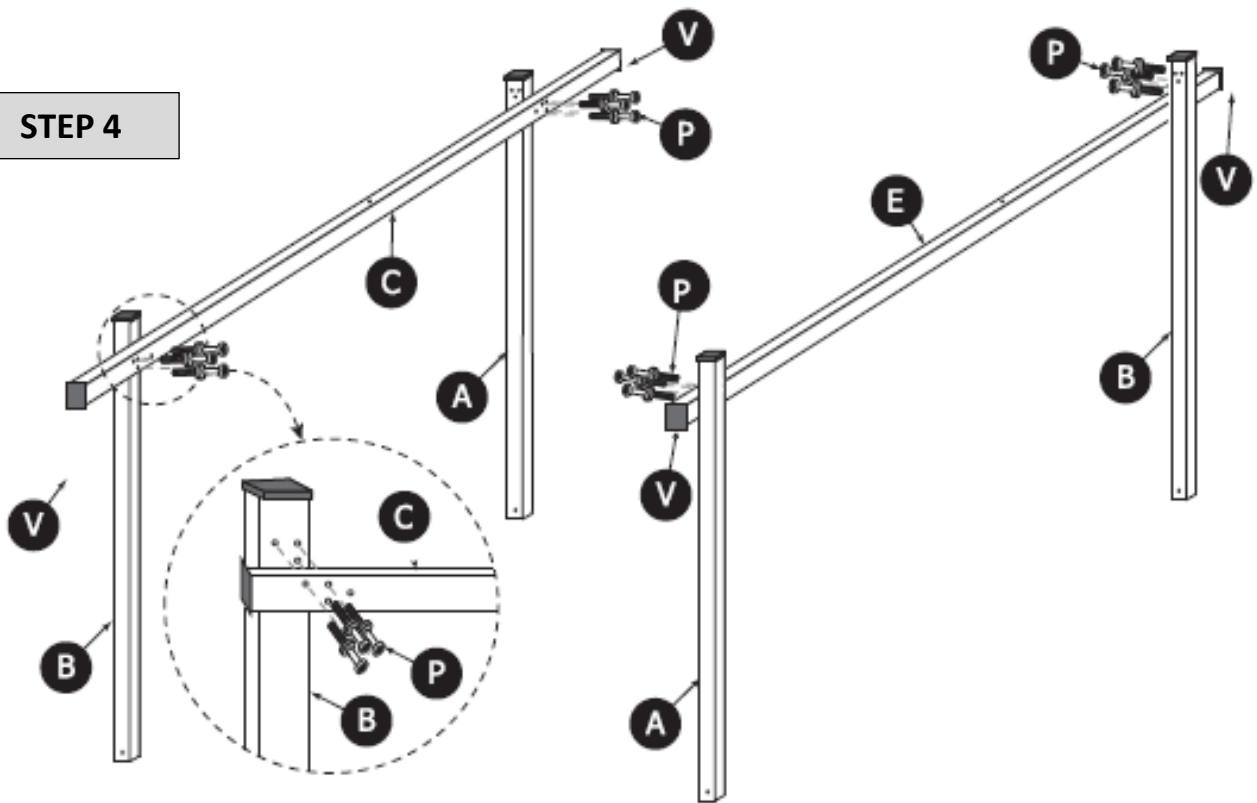


STEP 3

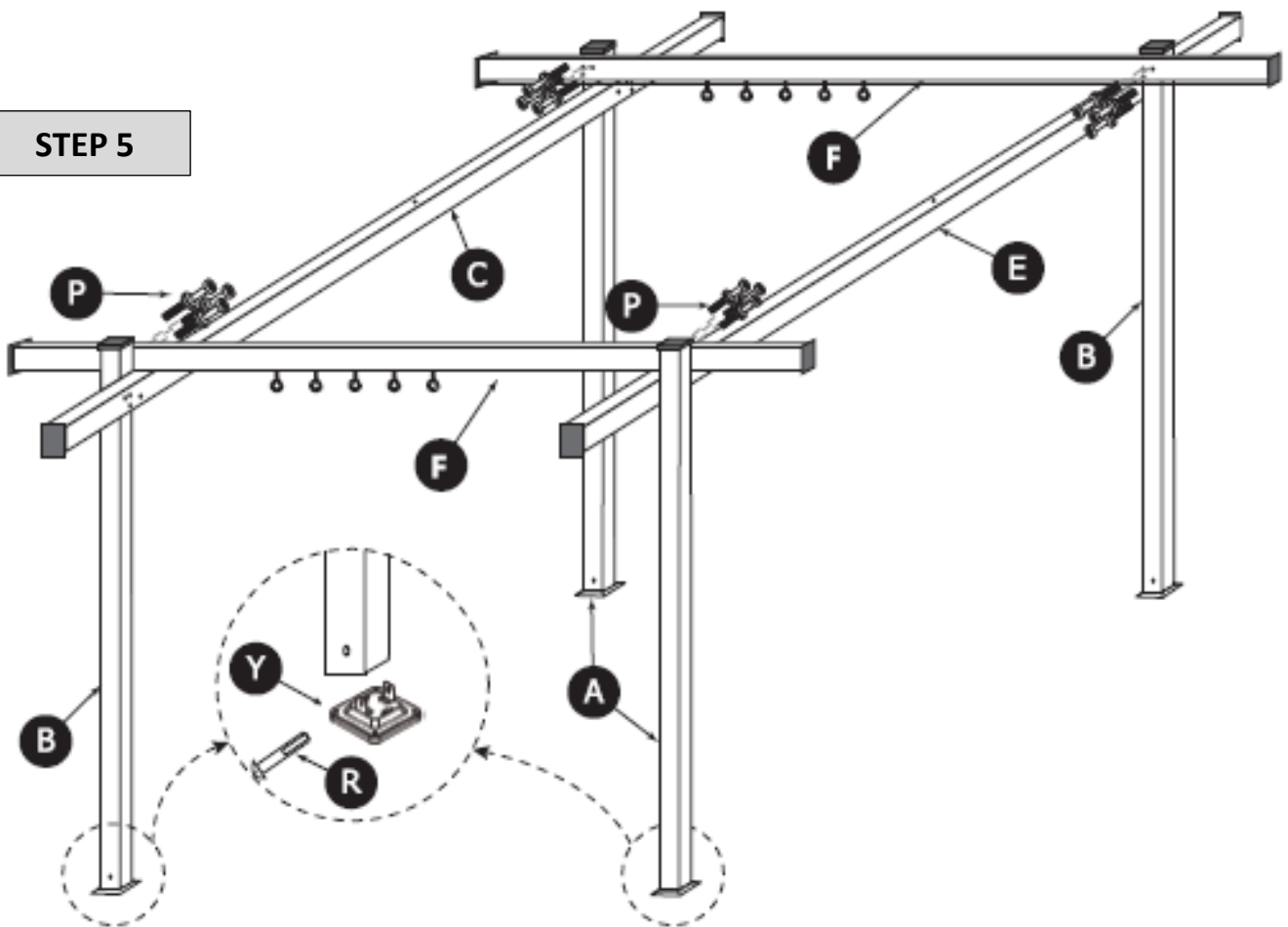
x 2



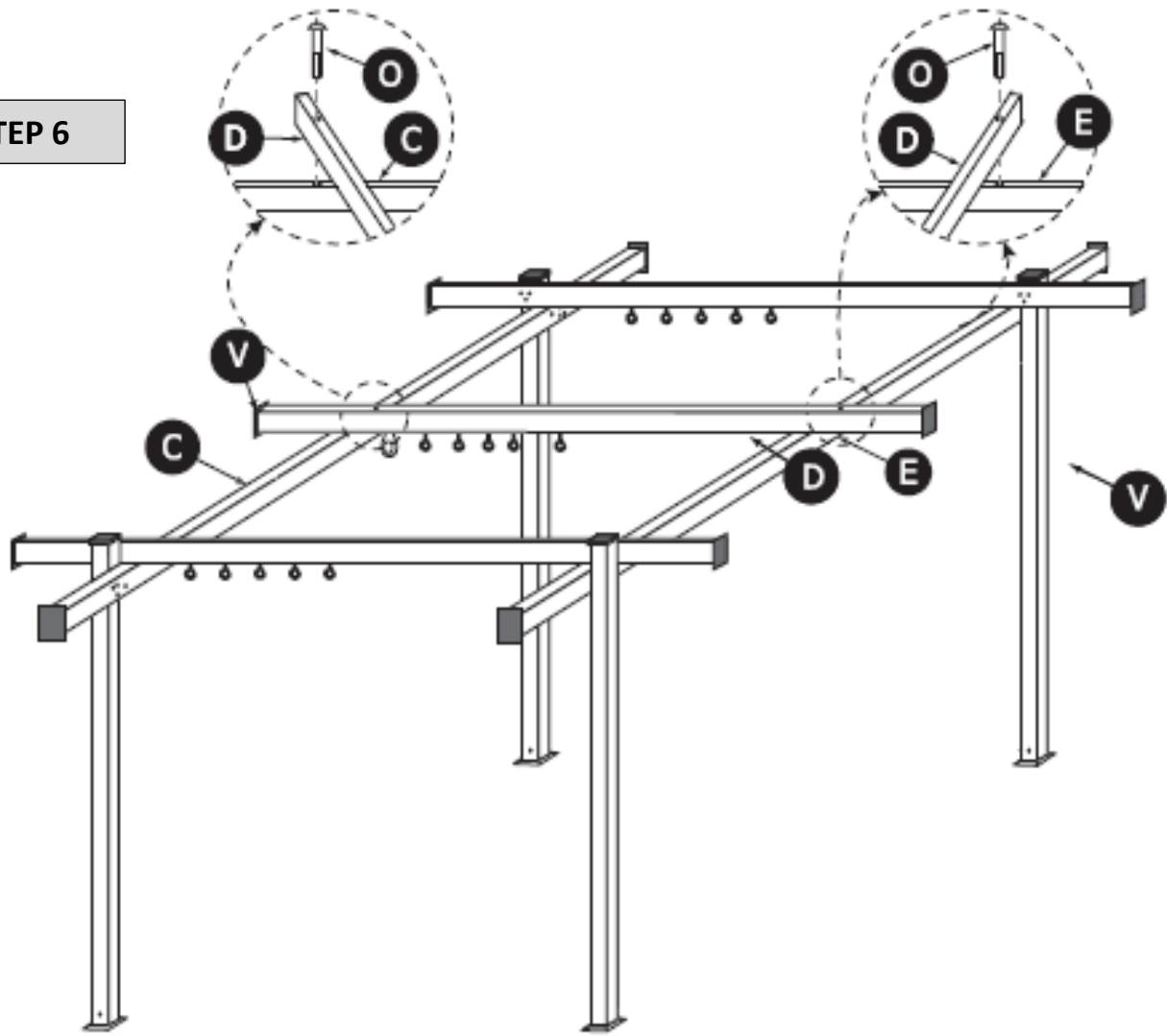
STEP 4



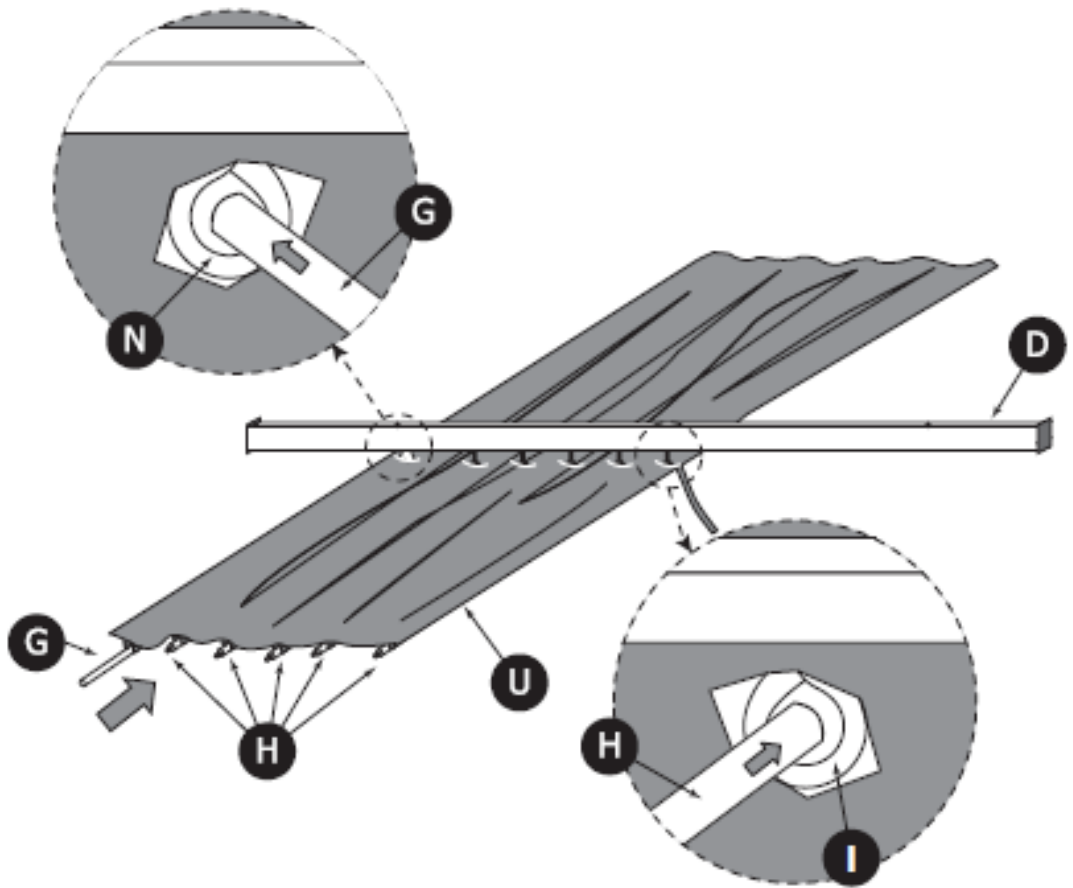
STEP 5



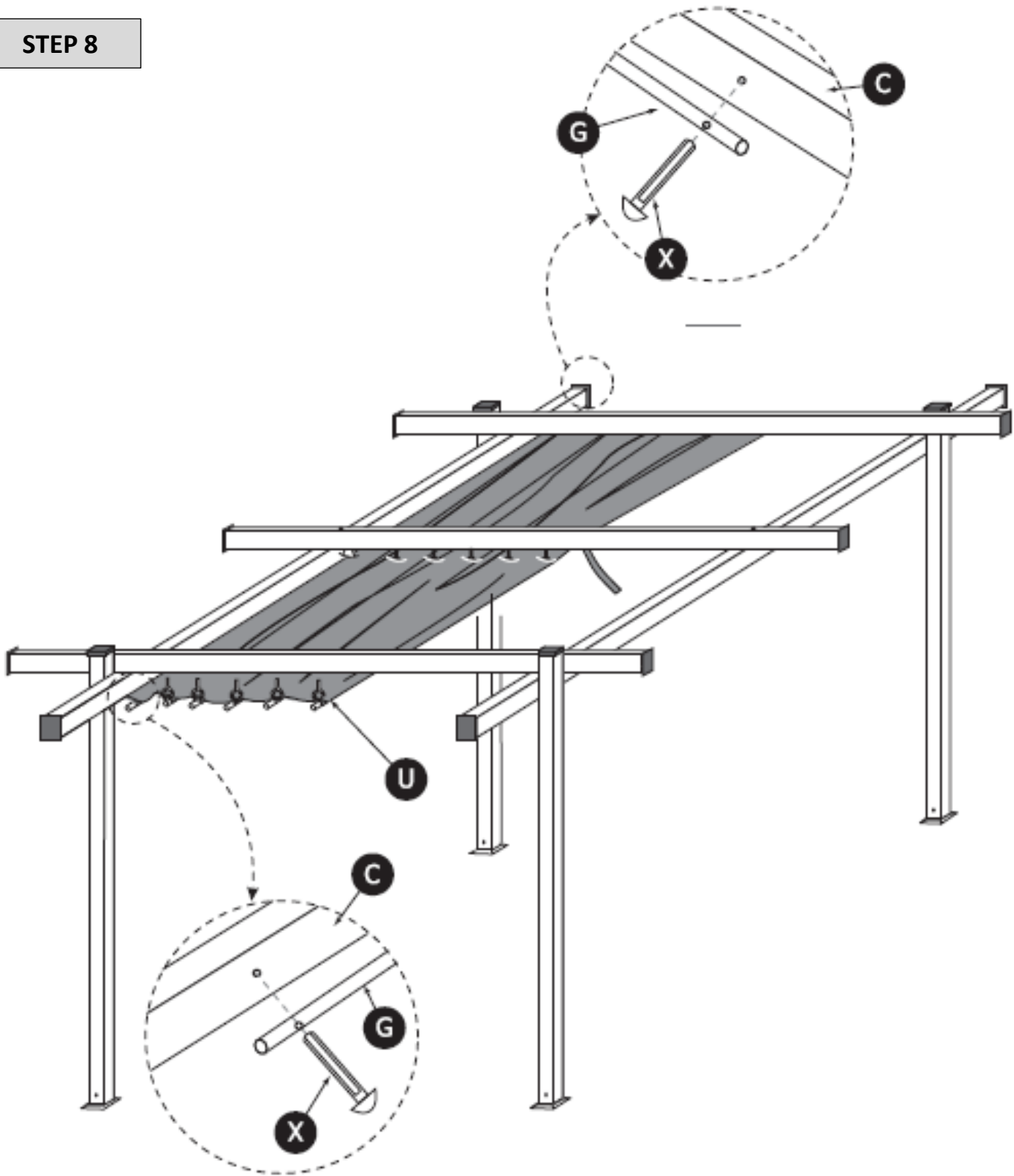
STEP 6



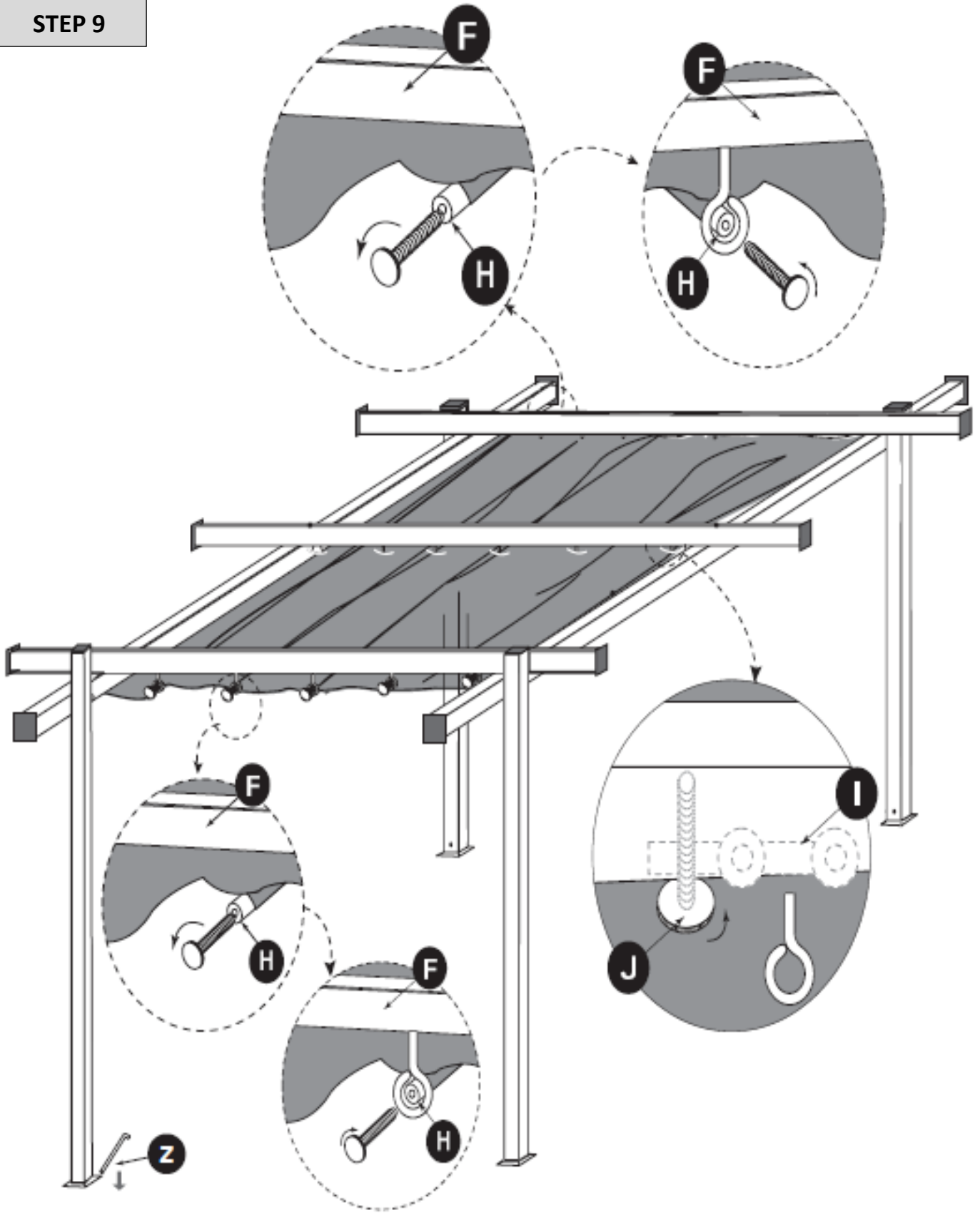
STEP 7



STEP 8

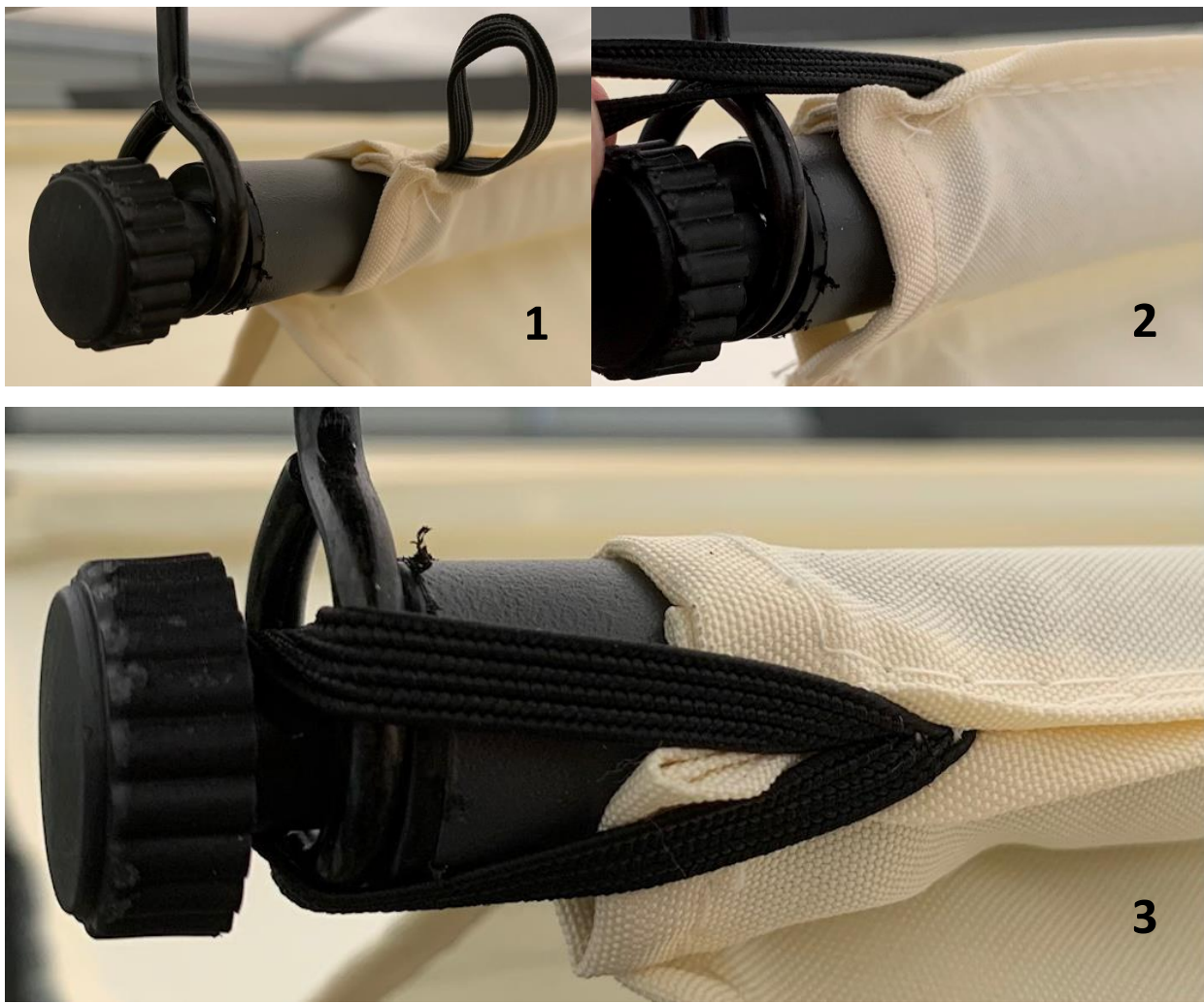


STEP 9



Important Note:

Before you finish installation, please fix the fabric-straps on the outer castor as shown in the pictures below:



While your gazebo is not in use, we recommend to fold the roof together. Please make sure that the roof-fabric is being removed in weather-conditions with strong wind/storm or heavy rain.



KBW Trading GmbH
Gewerbering 2
88518 Herbertingen
Germany
Phone: 07586-921160
Fax: 07586-9211616
E-Mail: info@jet-line.de
www.jet-line.de

