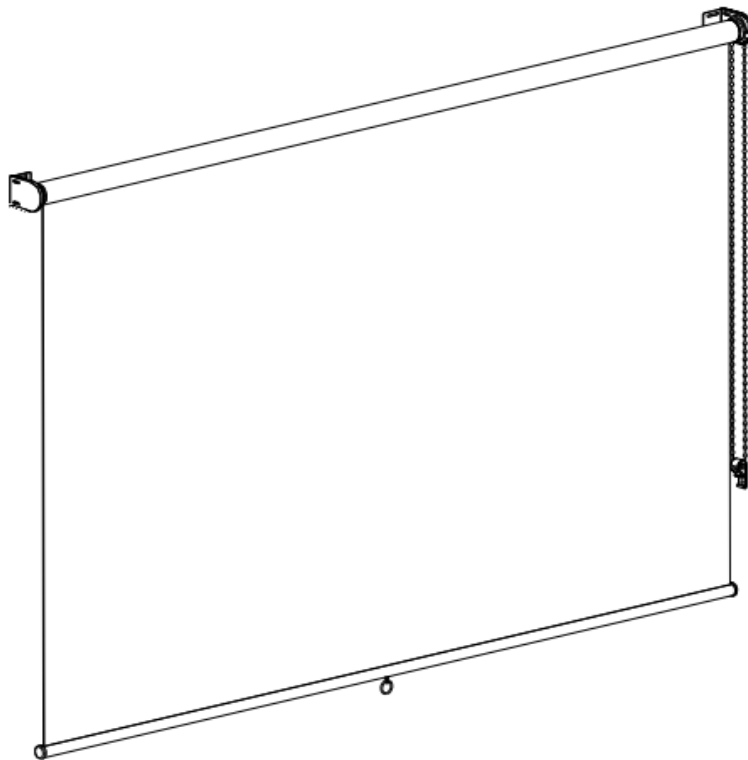




OUTDOOR SIGHT PROTECTION BLIND

Article-No.: 2601-2614

- INSTRUCTION -



Installationsvideos und Aufbauanleitungen
zu unseren Produkten finden Sie unter

www.jet-line-e-trade.de

Nutzername: jet-line • Passwort: user2011

Weitere Produkte für Ihren Garten
finden Sie unter


www.gartenmoebelkauf.de

CONTENT

- ➔ Product Features
- ➔ Safe Handling
- ➔ Installation-Instruction
- ➔ User Manual
- ➔ Care and Maintenance

Product-Features / Safe Handling


Product-Features:

Product Name	Material and Surface-Treatment	Suitable base materials	Weather
BW85000	Aluminium/Plastic Polyester Surface-Treatment Tube: powder coated/oxidation Fabrics: water-repellent	Concrete Stone Solid wood	This product is intended for sun-protection only. Do not use in windy conditions of force 5 or beyond or in heavy rain.
	<p>WARNING</p> <p>Small children could strangle with cords or ties used to operate the blind. Keep strings out of childrens reach. Do not place cribs, beds or other furniture close to the blinds. Do not tie the strings together. Make sure, the strings do not twist and form loops.</p>		

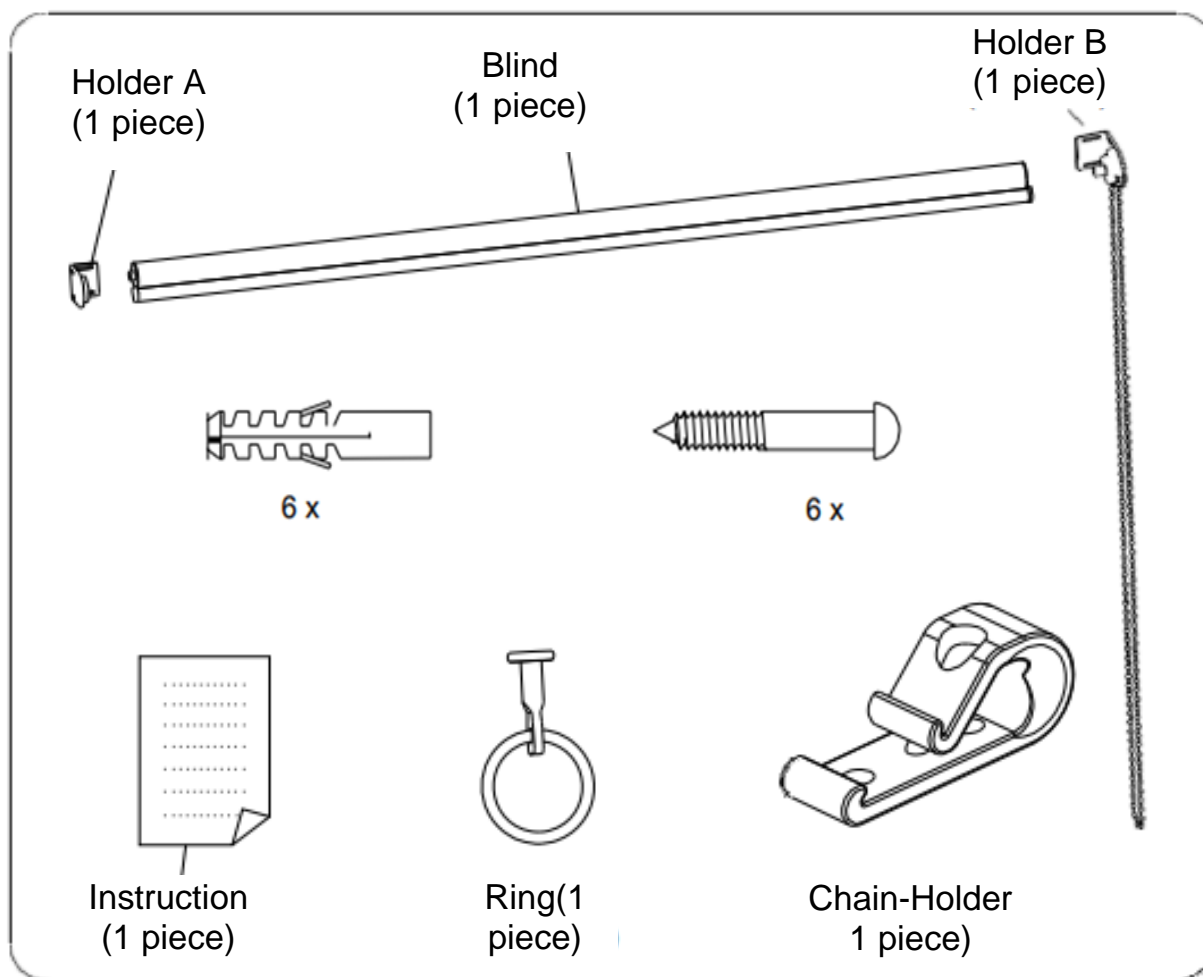
Important: Please make sure to carefully read this installation- and user manual prior to installation.

Symbols:  Forbidden  Important

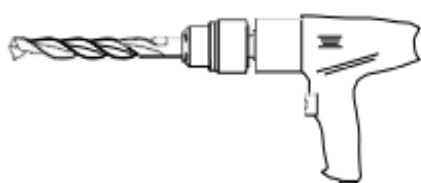
Instruction for safe handling

	Do not install in very high or windy places, as the blind might fall down and people might get injured
	Do not use in places with high shock or vibration load
	Do not use in places with high temperature like on walls close to an oven
	Do not place any weights on the tube, as this might cause the blind to fall down
	Do not use in wind or heavy rain
	Wind may take influence on the product. Please be extremely careful in strong winds
	Make sure not to get your hands or fingers caught in the strings. Be careful during installation, as your fingers might get clamped in
	Make sure to install all screws, nuts and stoppers exactly as described in this instruction. Lacking stoppers may cause a risk of injury
	Close the blind (do not use) in wind or rain
	Children might strangle if the stopper is not installed. Please make sure to always use the stopper to keep strings out of childrens reach
	Children might strangle if the stopper is not installed and properly used. Read the instructions carefully and oblige all installation-instructions
	Do not install the support below 1,5 m height
	Do not allow children to play with the regulation cords of the blinds
	Do not use when the blinds when there's maintenance requirement

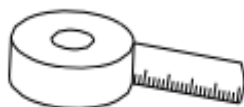
Part-List



The following tools are required for installation:



Drilling machine
with 6 mm drill



Measuring tape

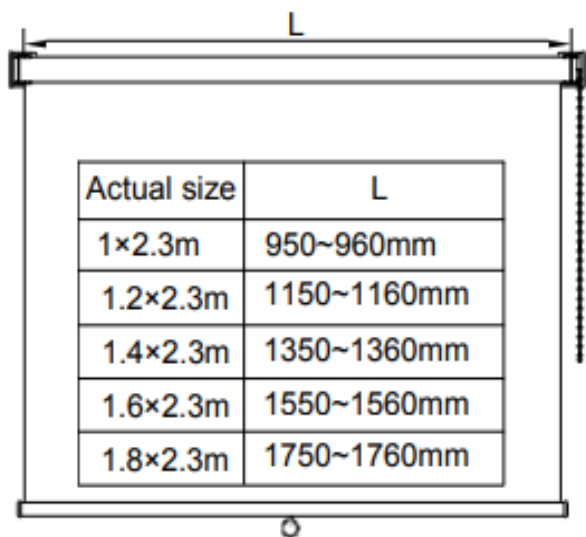


Screw-Driver



Pencil

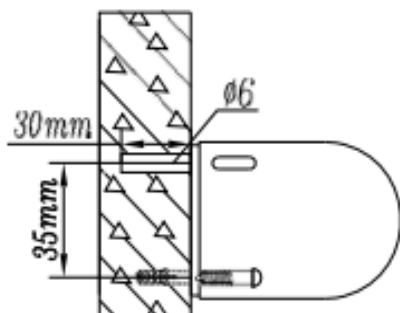
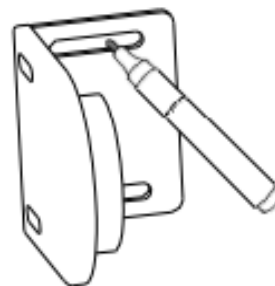
Installation



1. Determine the exact position of the wall-holder according to the table on the left (the table states the space required between the holders)

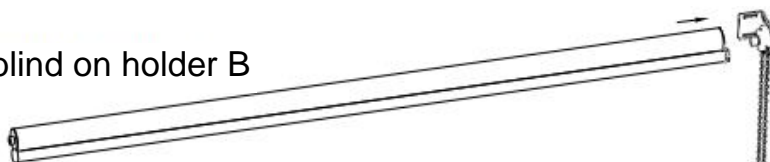
The installation height depends on the height of your window.

Mark the exact point for the drilling-holes on your wall (considering the table on the left) to make sure that the holes will be in the correct vertical and horizontal position

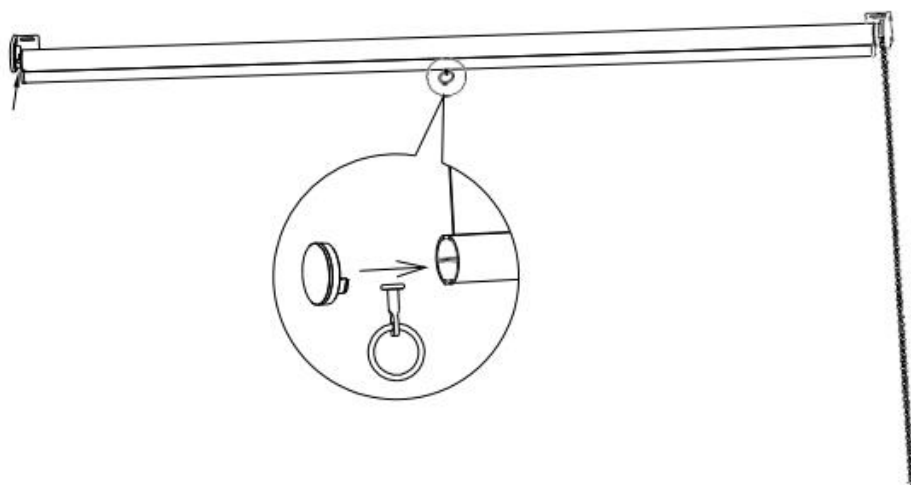


2. Install the wall-holder. After marking the exact position for your drilling holes, please drill the holes then according to the drawing on the left

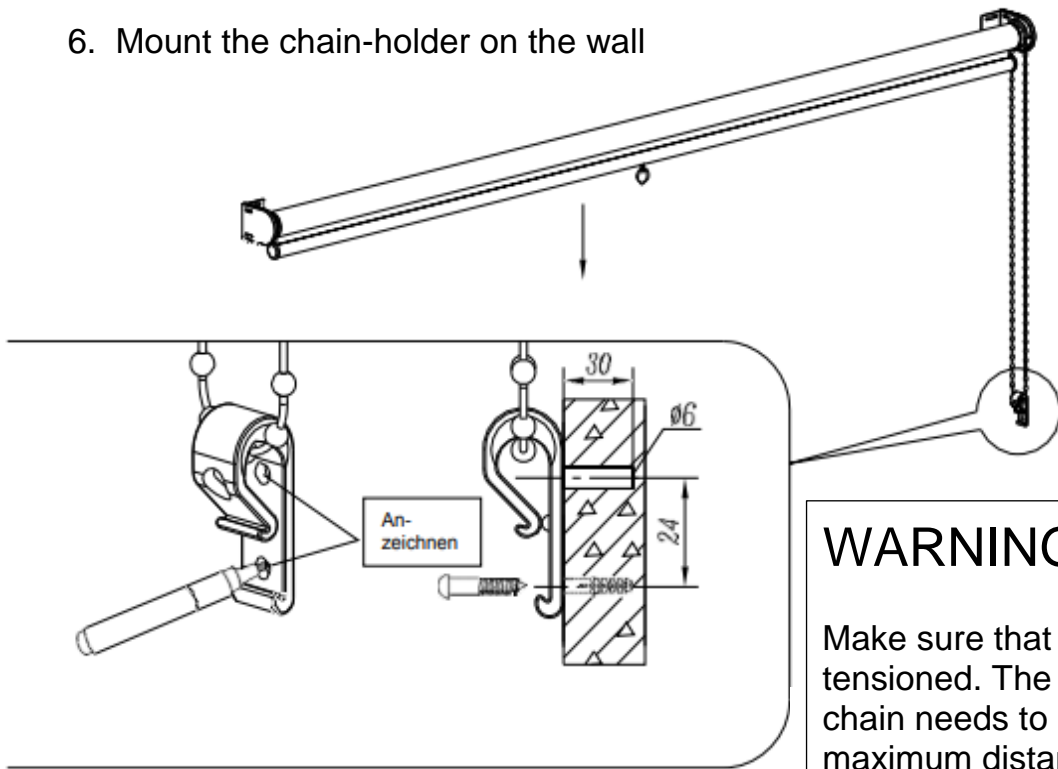
3. Install the blind on holder B



4. Place the blind onto holder A



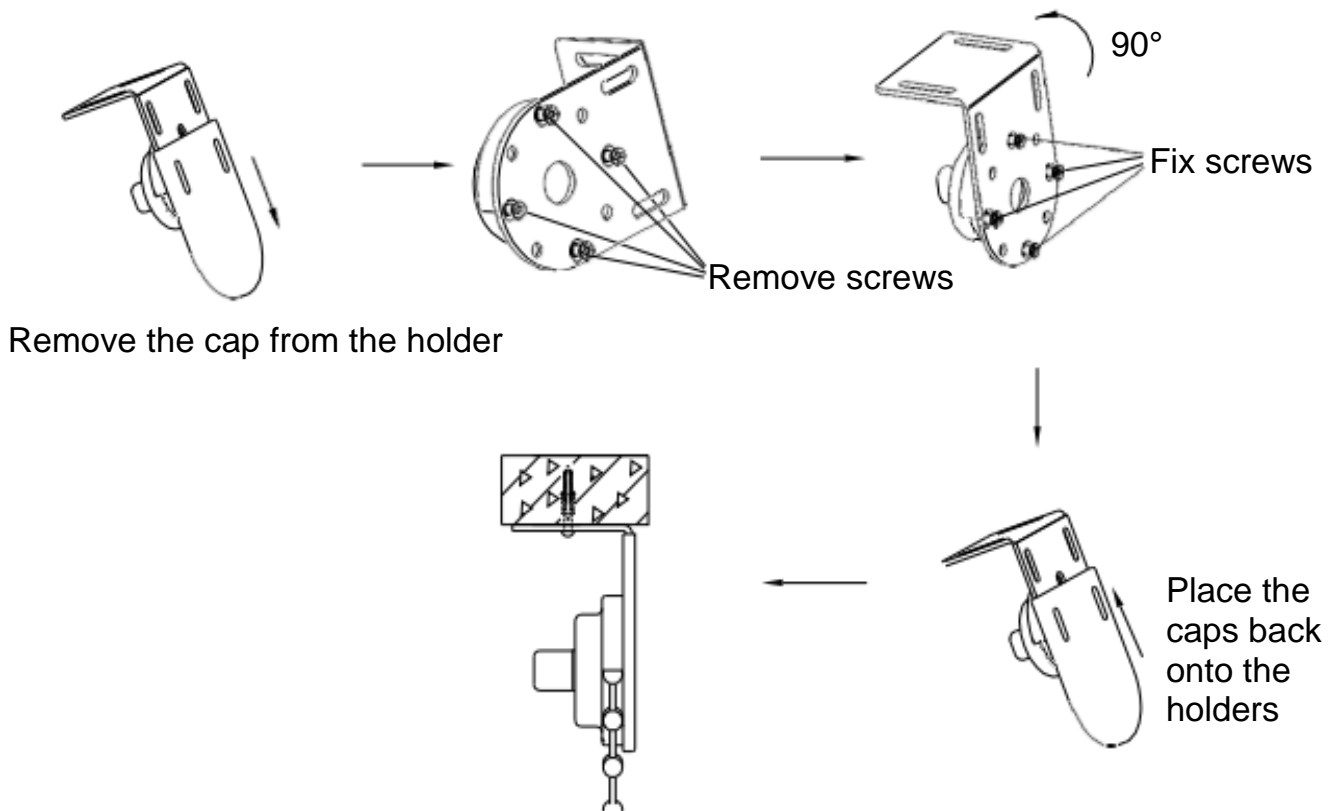
6. Mount the chain-holder on the wall



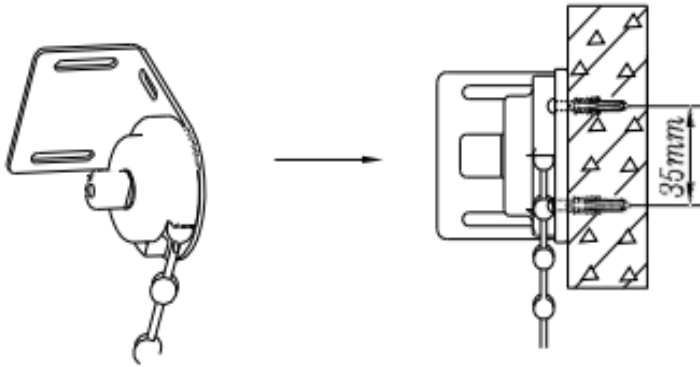
WARNING

Make sure that the chain is tensioned. The holder for the chain needs to be placed with maximum distance to the control-mechanism, to keep the chain from loosening

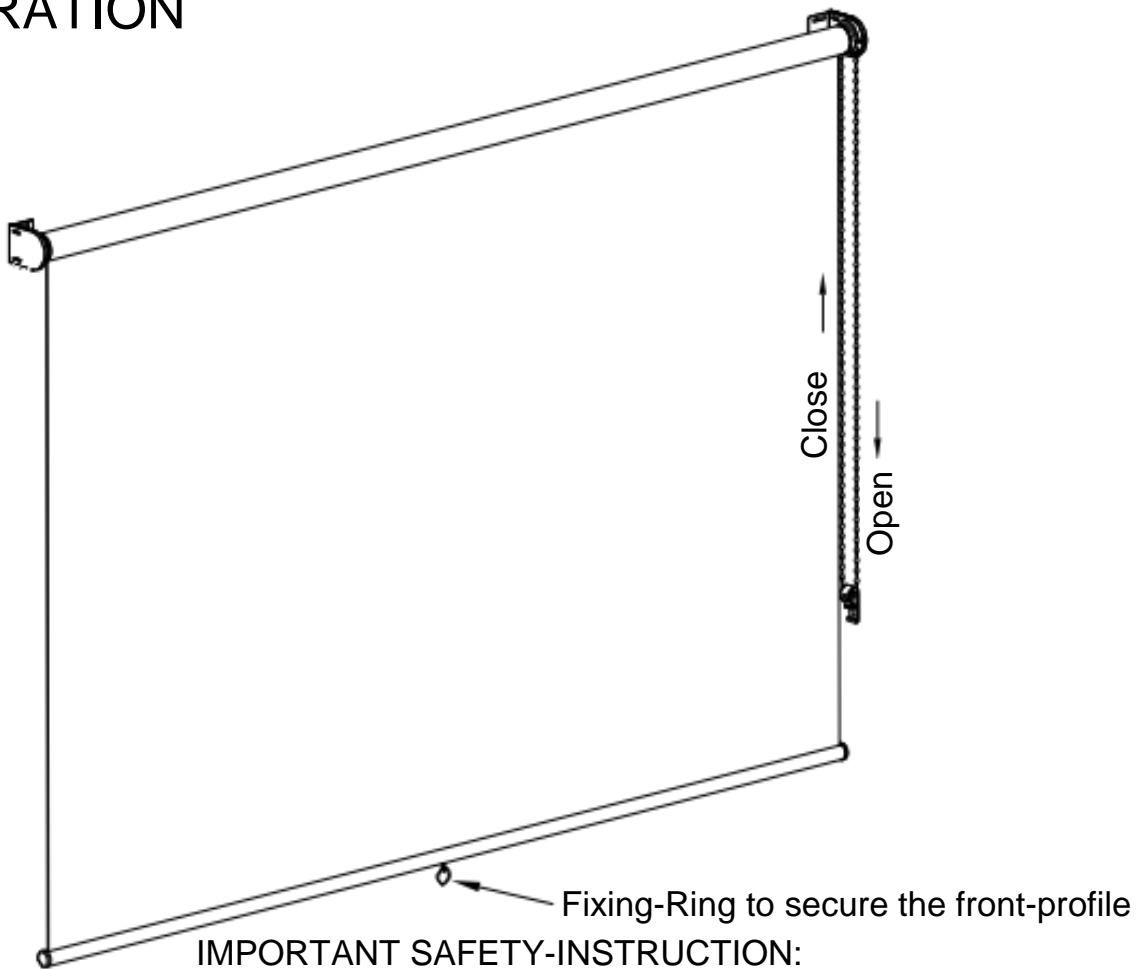
5. Optional installation of the holder (1) on the ceiling



Fix the Holder (2) onto a vertical wall



OPERATION



MAINTENANCE

IMPORTANT SAFETY-INSTRUCTION:
WARNING – PLEASE MAKE SURE TO READ AND OBLIGE THIS INSTRUCTION CAREFULLY TO ELIMINATE THE RISK OF PERSONAL INJURY. PLEASE KEEP THIS INSTRUCTION IN A SAFE PLACE

1. Please close the blinds in wind and rain or if it is not needed
2. Do not remove and wash the fabric. If the fabric needs to be removed, please contact a proven specialist
3. Please do regularly check the installation and all mountings, especially at the beginning of a new season, to make sure all fixings are safe and in good condition

Installationsvideos und Aufbauanleitungen

zu unseren Produkten finden Sie unter

www.jet-line-e-trade.de

Nutzername: jet-line • Passwort: user2011

Weitere Produkte für Ihren Garten

finden Sie unter

www.gartenmoebelkauf.de



KBW Trading GmbH

Gewerbering 2

88518 Herbertingen

Deutschland

Tel: 07586-921160

Fax: 07586-9211616

E-Mail: info@jet-line.de

www.gartenmoebelkauf.de