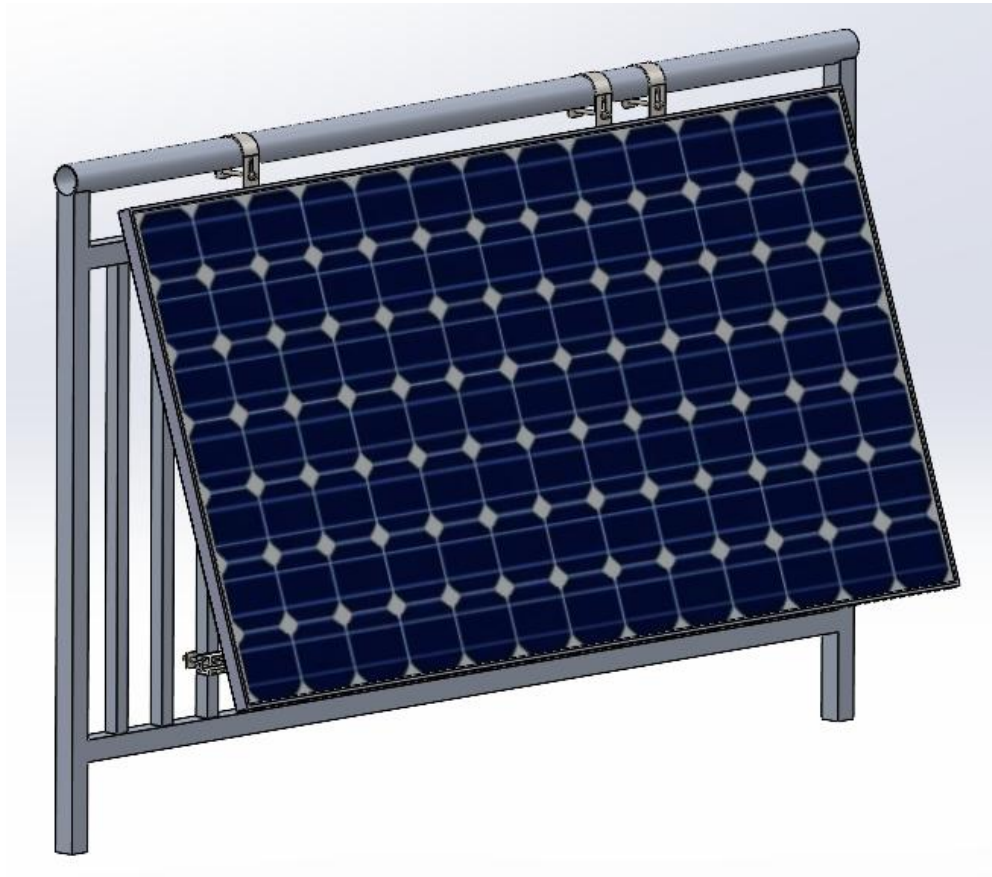




Solar Balcony Brackets Install Manual



Contents

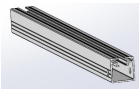
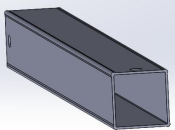
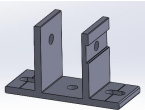
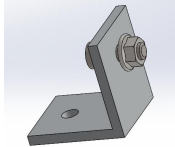
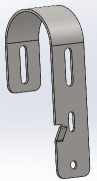
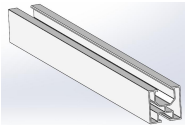
一.	Introduction of Product	2
二.	Installation Tools and Devices	3
三.	Installation Manual	4
1.	Installstion of Rails	4
2.	Installation of Adjustable Legs	5
3.	Installation of Panel and Hook	5
4.	Install to the Balcony	7
5.	Installation of Inverter	9
6.	Finish the Installation	10
四.	Installation Precautions	10

一. Introduction of Product

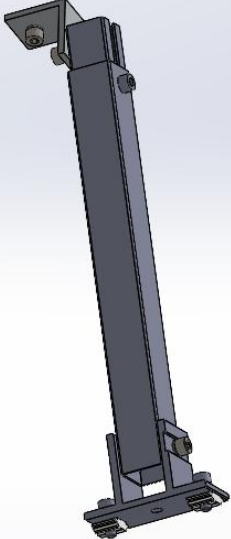
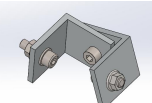
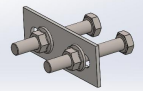
1. The balcony guardrail photovoltaic system has a unique installation method. The adjustable rod can meet various angle adjustments. The specific assembly bracket not only ensures the overall stability of the system, but also improves the convenience of installation. High-quality design components and a small number of accessories make it an efficient solution for small projects.

Before installation, please read the entire manual carefully!

2.The parts are as follows:

					
Inner Tube	Outer Tube	Foundation	Fixer	Hook	Rail

3.Pre-assembled Products:

		
Adjustable Leg Set	L Bracket Set	Fixer Set

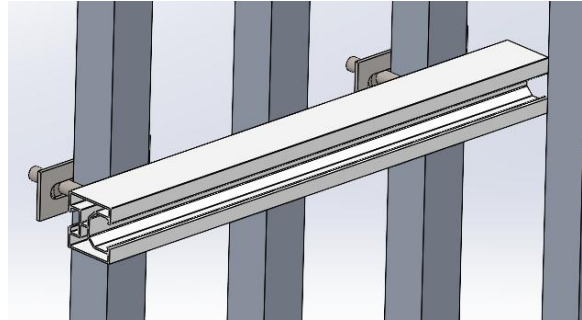
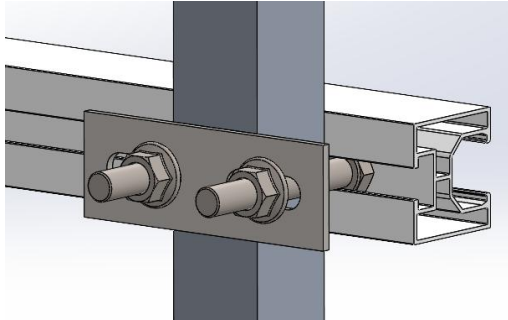
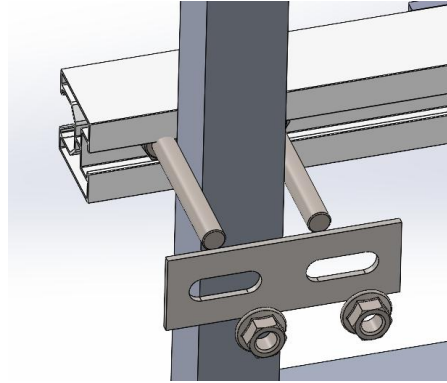
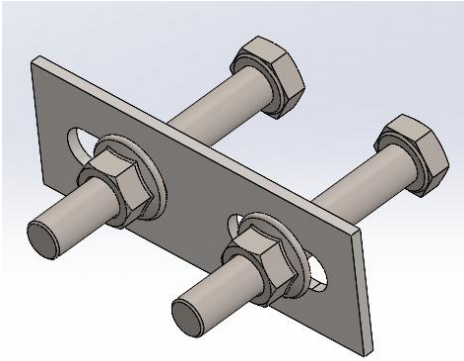
二. Install Tools and Devices

			
6mm Allen wrench	Electrical tools	Tape measure	Marker pen
			
Torque wrench	String	Adjustable wrench	Socket wrench (M10/M8)

三. Installation introductions

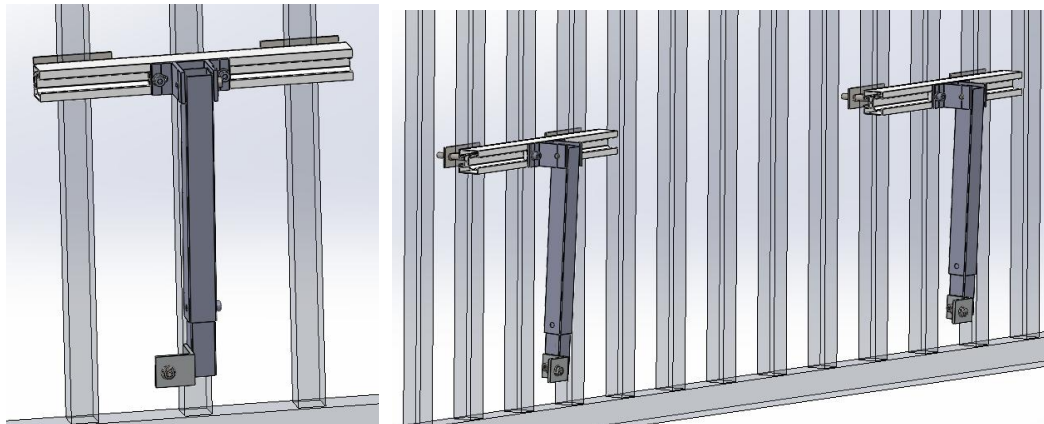
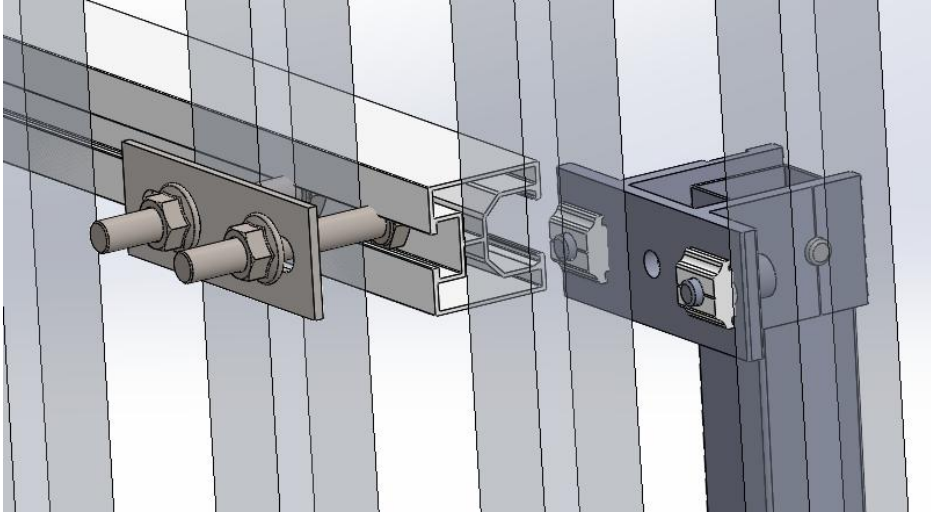
1、Installation of Rails

1) Slide the bolt head into the groove of the cross bar first, and then tighten the flange nut



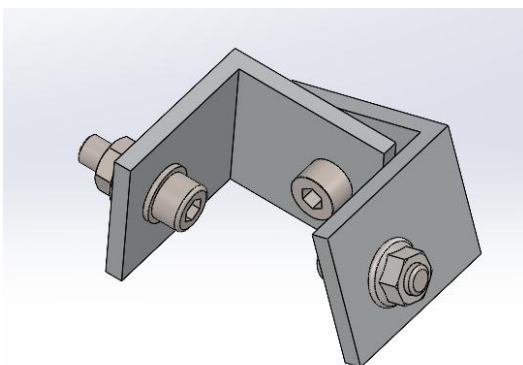
2、Installation of Adjustable Legs

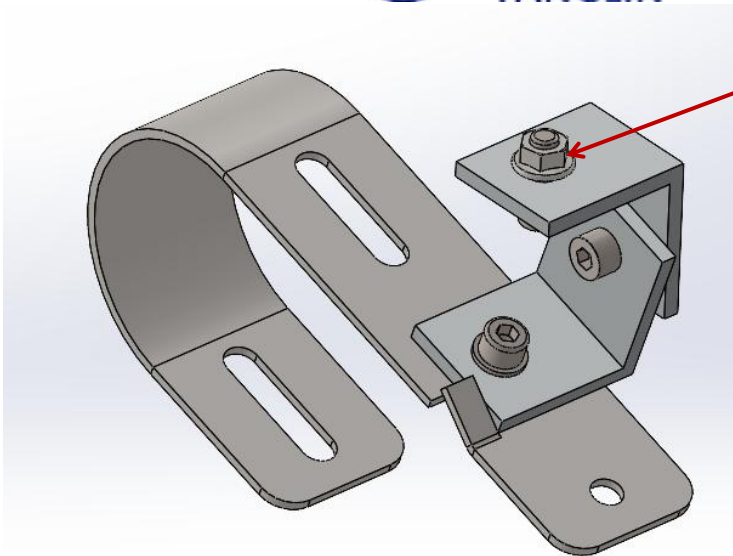
- 1) Align the T-shaped block on the base with the opening slot of the beam and slide it into lock



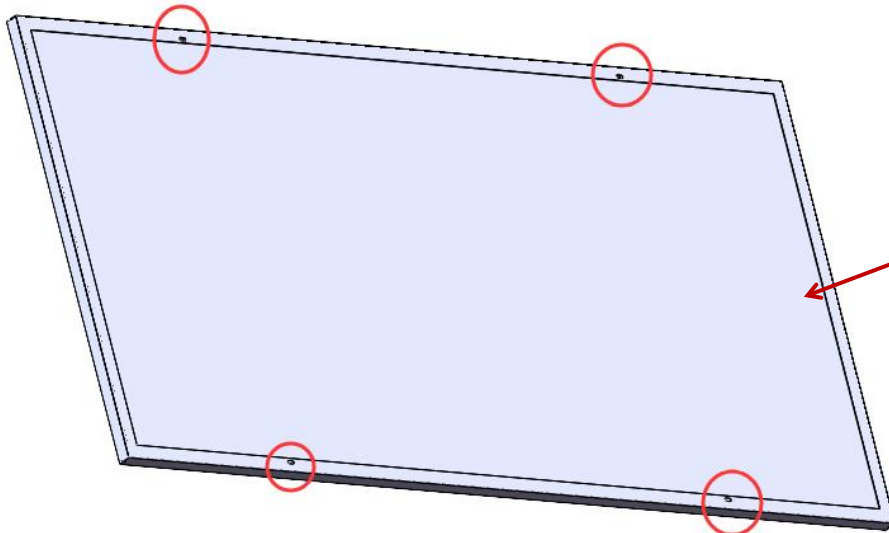
3、Installation of Panel and Hook

- 1) First install the L angle combination on the hook
(The L angle combination is pre-assembled before shipment)



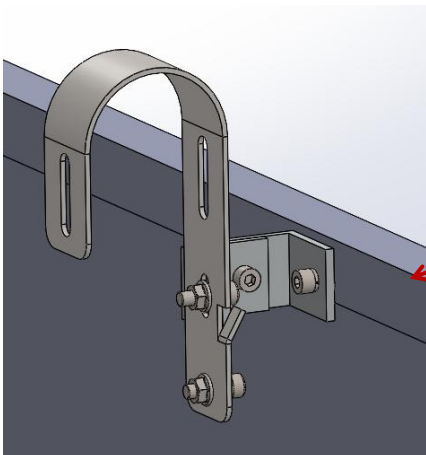


Use this bolt to secure the panel
(back keyhole)

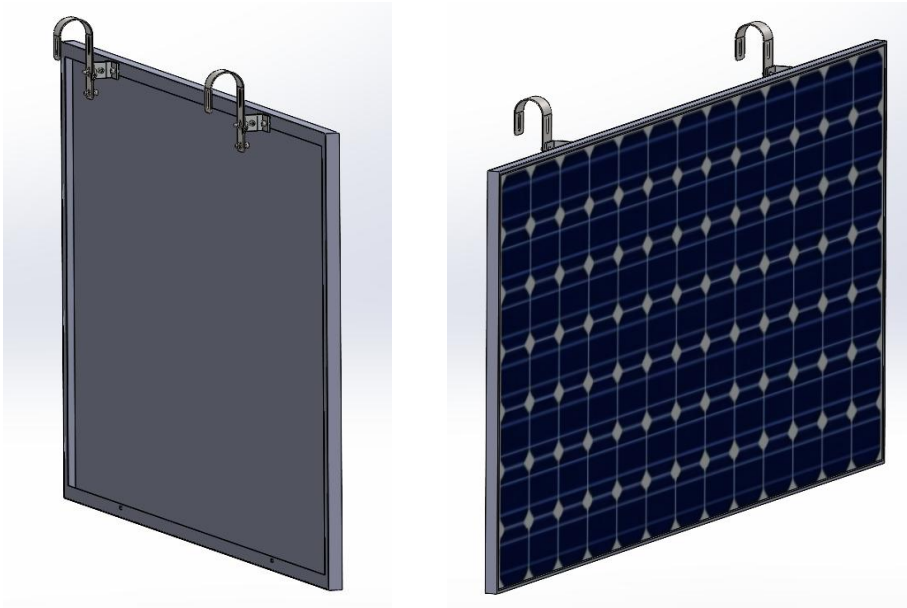


Panel

2) The upper end of the panel is installed as follows, fixed by the back lock plate

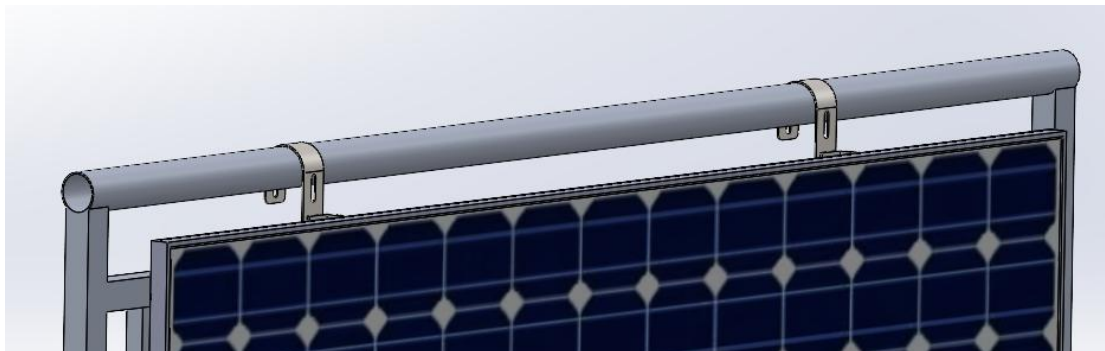


Panel

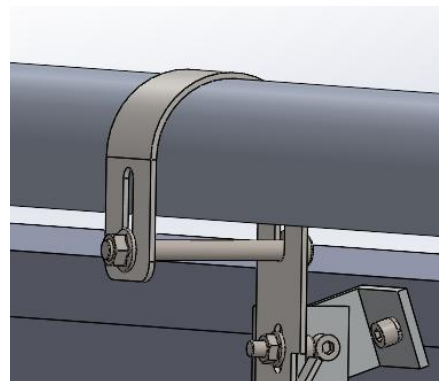
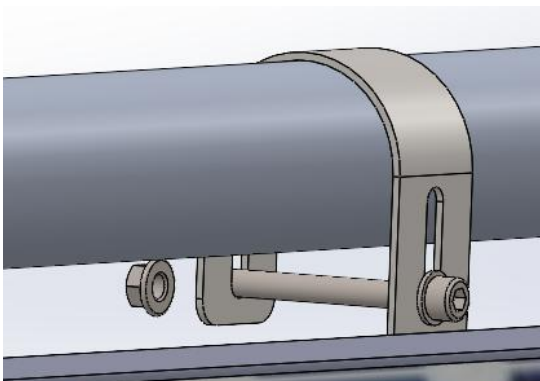


4、Install to the Balcony

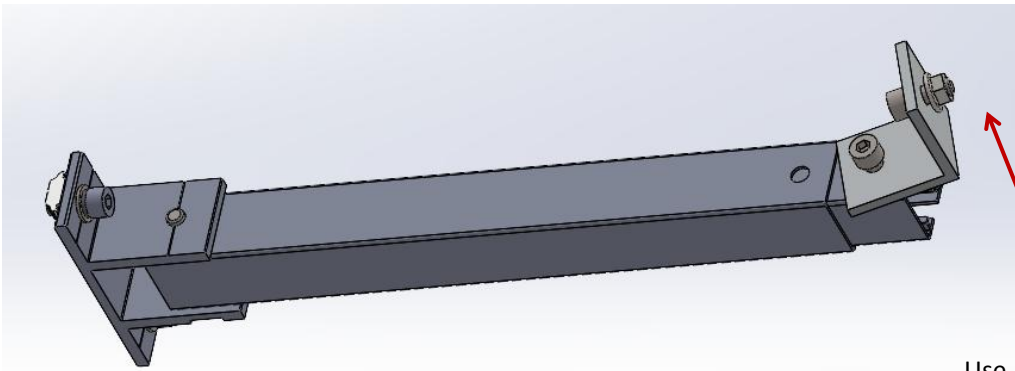
Hang the assembled bracket on the balcony



1) The upper end is fixed with M12x100 bolt combination

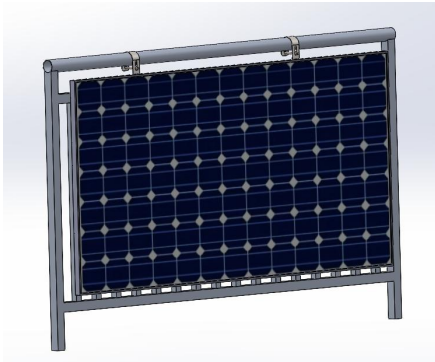
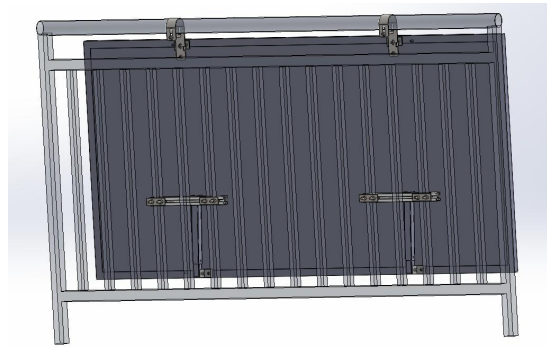
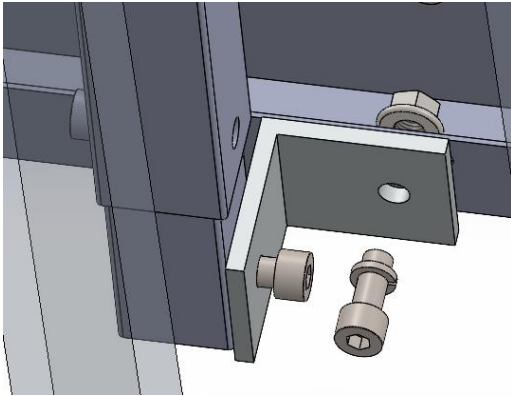


2) The lower end is fixed with adjustable feet

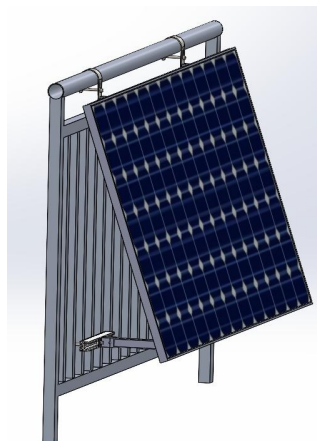
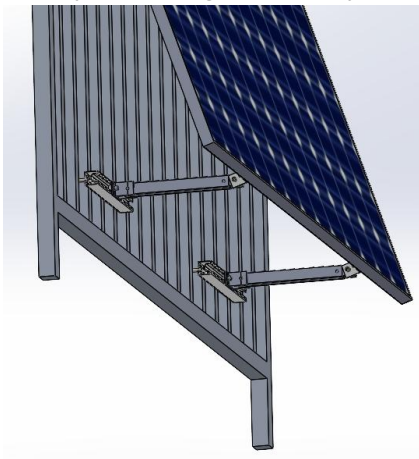


Use this bolt to secure the panel back hole

3)



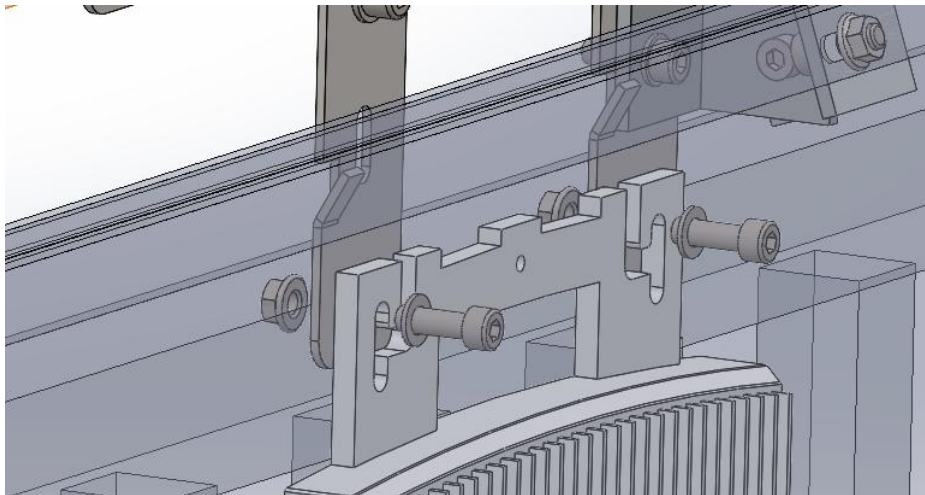
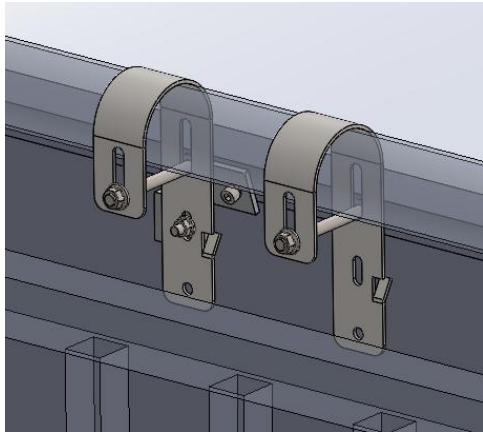
2) Adjust the length of the adjustable legs according to the angle you want to set.



5、 Installation of Inverter

1) When there is an inverter, another hook needs to be installed (this step can be ignored if there is no inverter)

Use 2 sets of M8X25 bolts to fix the inverter



6、 Finish Installation





四. Installation Precautions

4.1. Notes on engineering installation dimensions

The specific dimensions involved in the engineering installation shall be subject to the engineering construction drawings. These installation instructions are for the purpose of illustrating how to install the product only.

4.2. Precautions when installing stainless steel fasteners

Due to the good ductility of stainless steel, it is essentially different from carbon steel; improper use will cause the bolt and nut to be unable to unscrew after they are mated. That is, "locked up" is commonly known as "bited to death". Prevention of deadlock mainly includes the following aspects:

4.2.1. Reduced coefficient of friction:

- (1) Ensure that the thread surface is clean (such as no lime sand, sundries);
- (2) It is recommended to apply water wax or add lubricant (such as butter, 40# engine oil) to the surface during installation;

4.2.2. Correct method of operation:

- (1) It must be screwed perpendicular to the axis of the thread, and must not be inclined;
- (2) During the tightening process, the applied force must be uniform, and the tightening torque must not exceed the specified safe torque value;
- (3) Use torque wrench or socket wrench as much as possible, avoid using adjustable wrench or electric wrench; use electric wrench and try to lower the speed as much as possible.
- (4) Avoid using at high temperature, do not rotate quickly when using, to avoid locking caused by rapid temperature rise; (such as using an electric wrench, etc.)