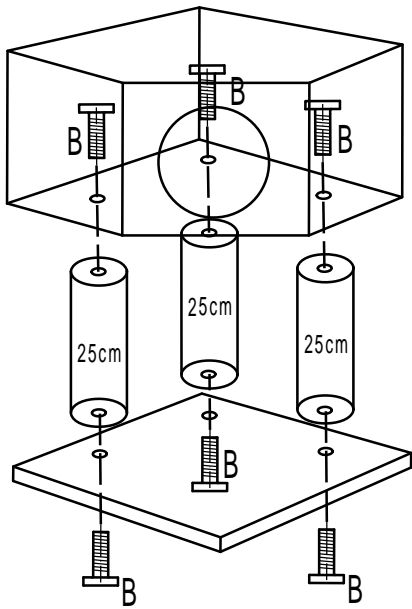
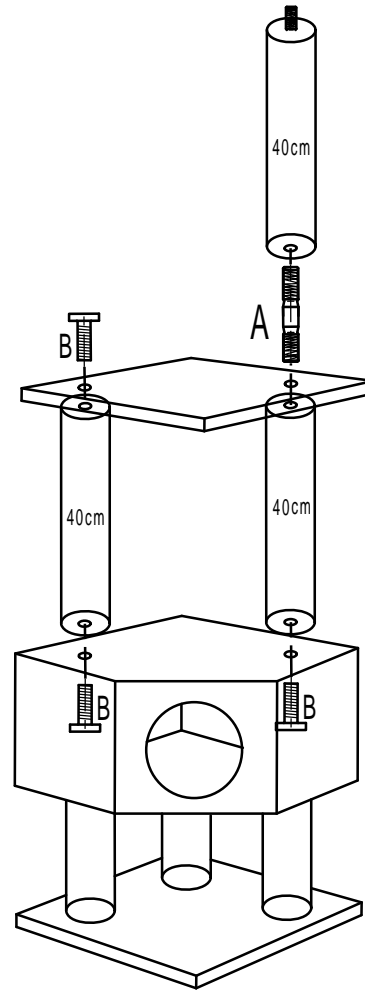


cat tree assembly drawing

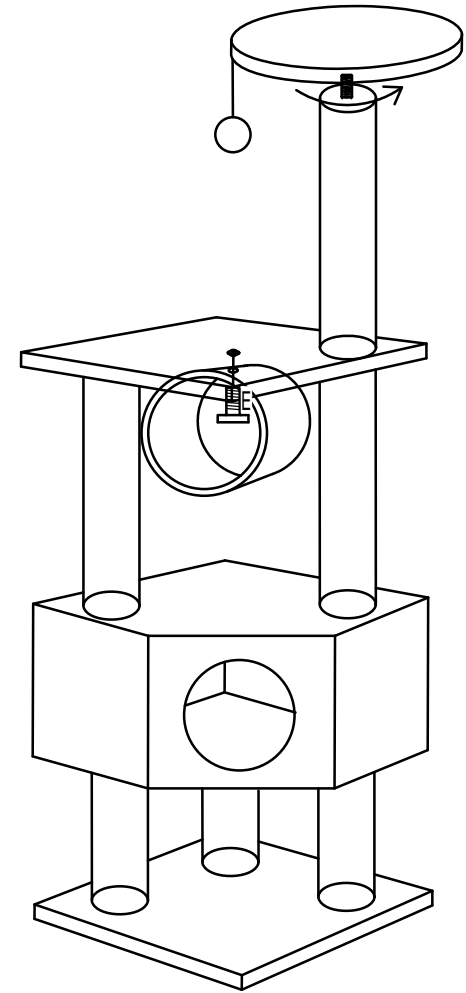
1

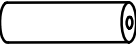


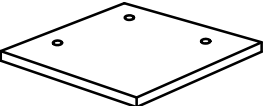
2

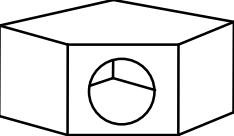


3




3 ×  $\text{Ø } 7 \times 25\text{cm}$


1 ×  40 × 40cm


1 ×  40 × 40 × 25cm

1 ×  8 × 60mm

2 ×  $\text{Ø } 7 \times 40\text{cm}$

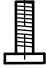
1 ×  40 × 40cm


1 ×  $\text{Ø } 8 \times 70\text{mm (A)}$

1 ×  $\text{Ø } 7 \times 40\text{cm}$

1 ×  $\text{Ø } 30\text{cm}$

1 ×  $\text{Ø } 20 \times 16.7\text{cm}$

(10+1) ×  $\text{Ø } 8 \times 40\text{mm (B)}$

1 ×  $\text{Ø } 8 \times 20\text{mm (E)}$