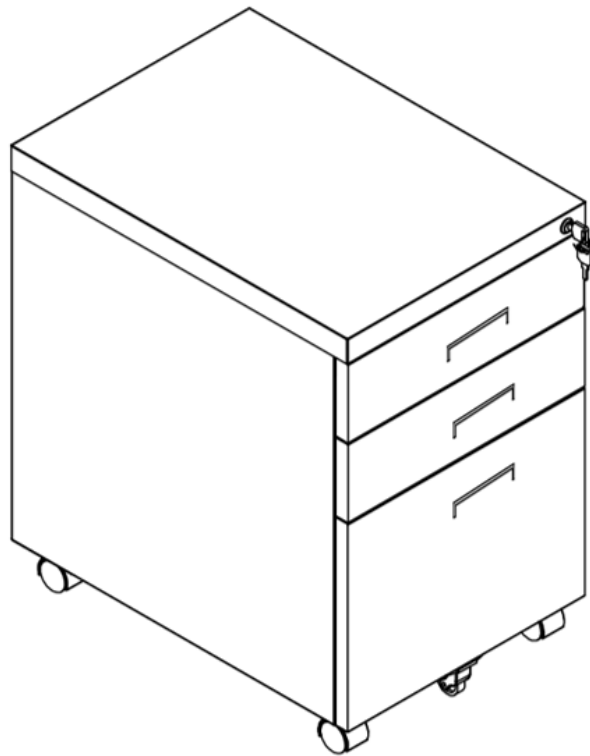




## ROLLER CONTAINER PAUL

Article-No.: 12224, 12225, 12226,  
12227, 12228, 12229

- INSTALLATION MANUAL -



### ***Installation-videos and further instructions***

*For our products can be found on*

[www.jet-line-e-trade.de](http://www.jet-line-e-trade.de)

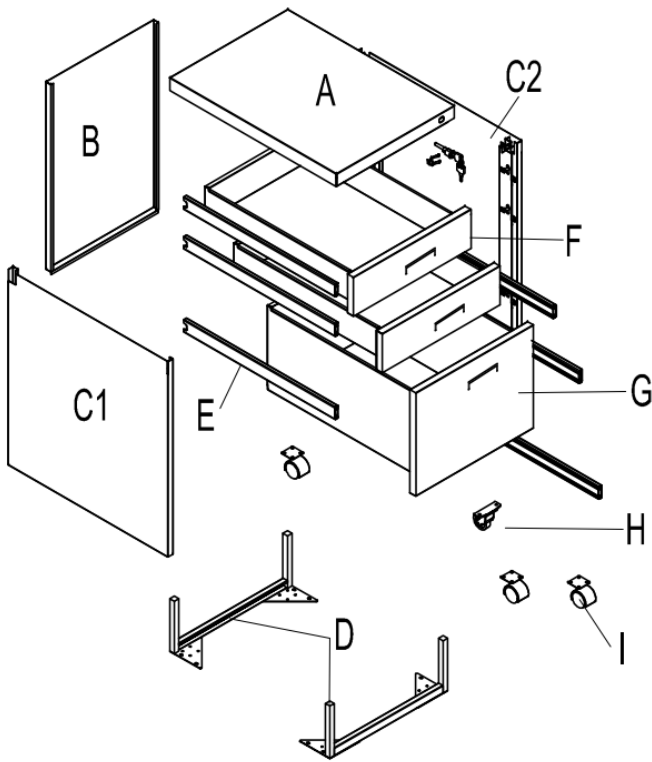
*Username: jet-line • Password: user2011*


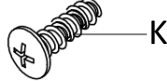

### ***Further products for your office***

*can be found on*

<https://office-shopping.eu>

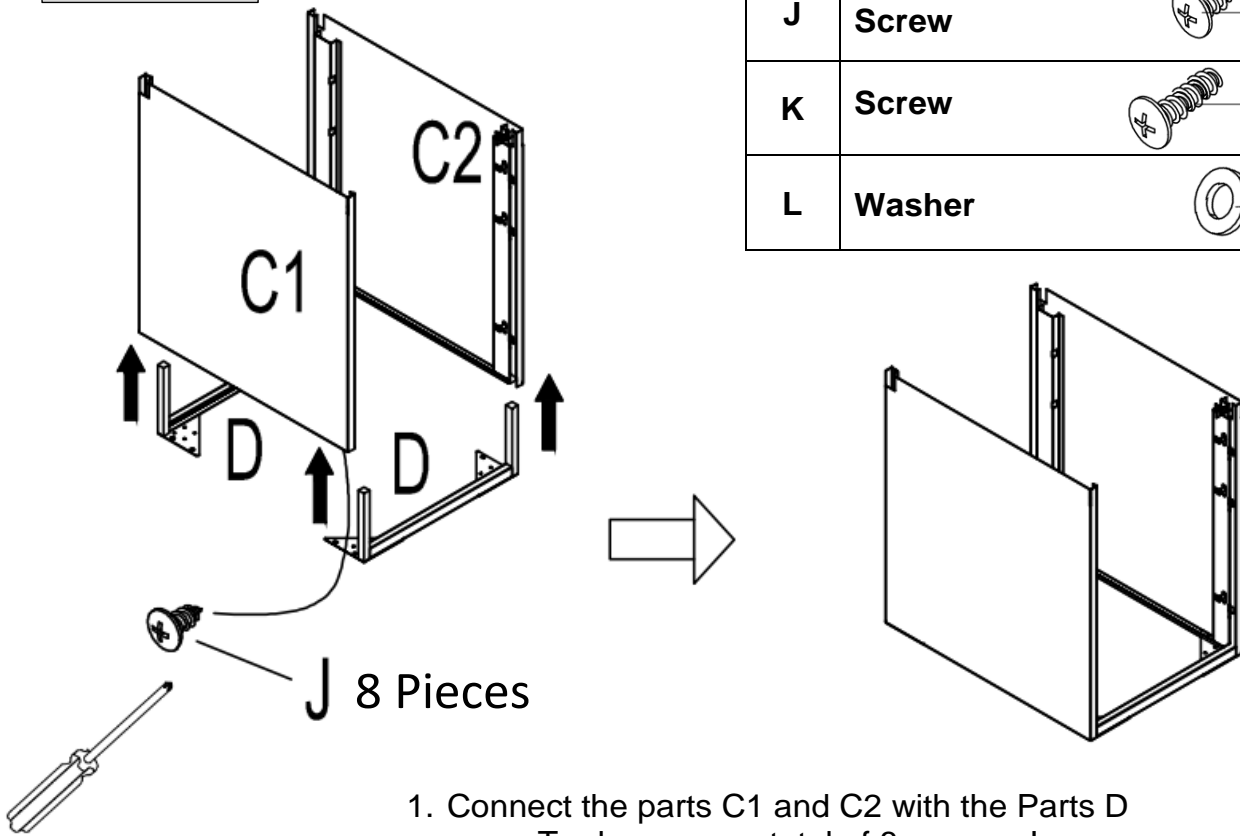
**Part-List:**



A	Upper Cover	1x
B	Rear Panel	1x
C1	Left Side Panel	1x
C2	Right Side Panel	1x
D	Lower Frame	2x
E	Drawer Rail	3x
F	Small Drawer	2x
G	Large Drawer	1x
H	Stabilizing Middle Caster	1x
I	Caster	4x
J	Screw	 30x
K	Screw	 8x
L	Washer	 8x

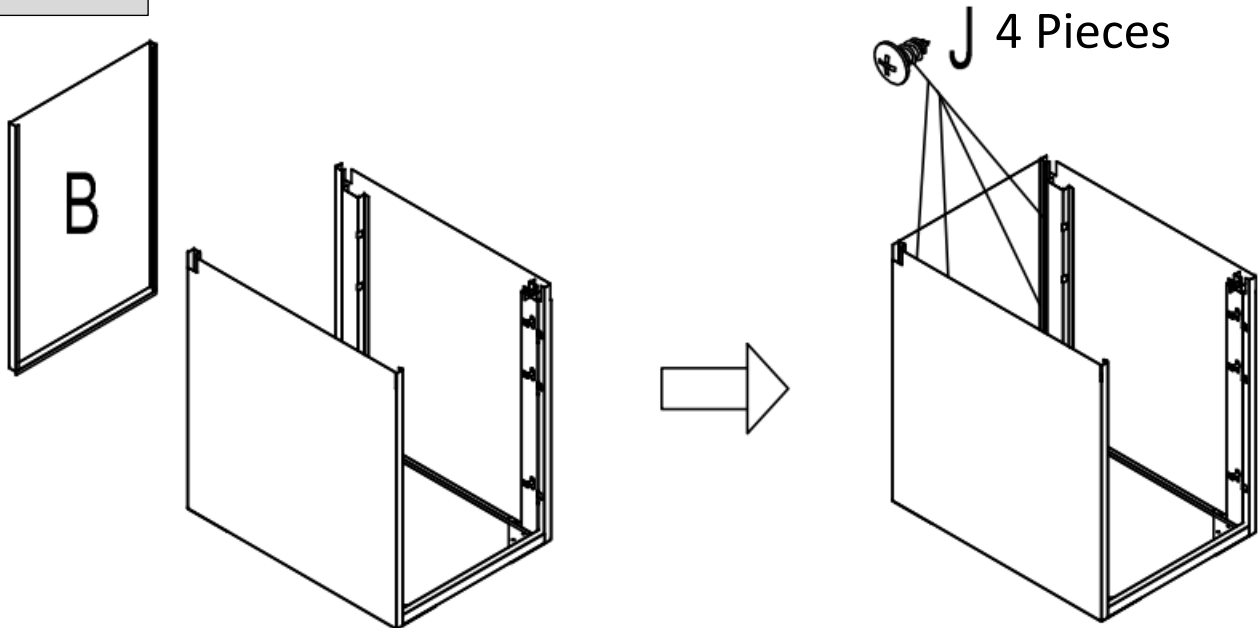
**Instruction**

**STEP 1**



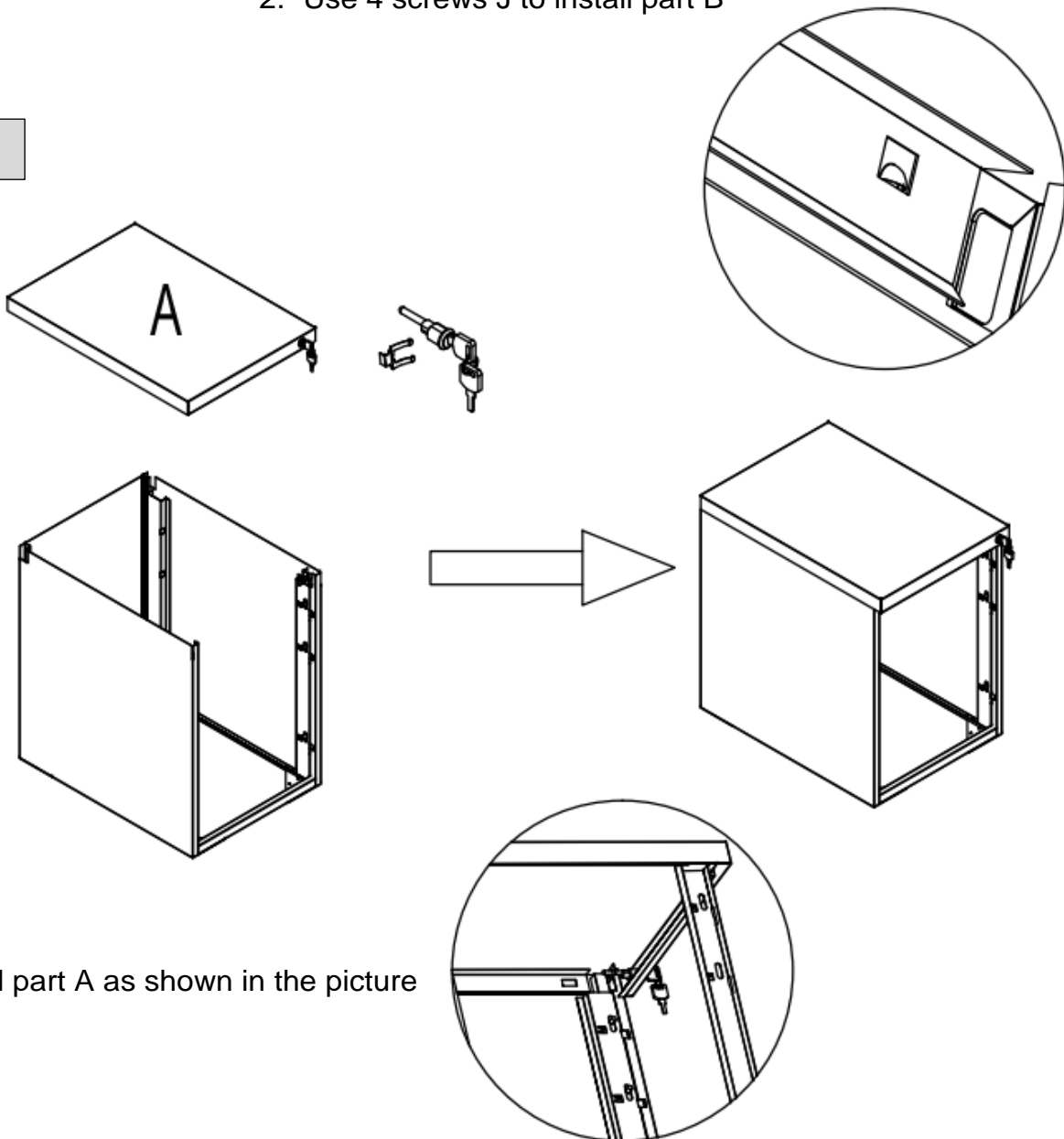
1. Connect the parts C1 and C2 with the Parts D  
To do so use a total of 8 screws J

STEP 2



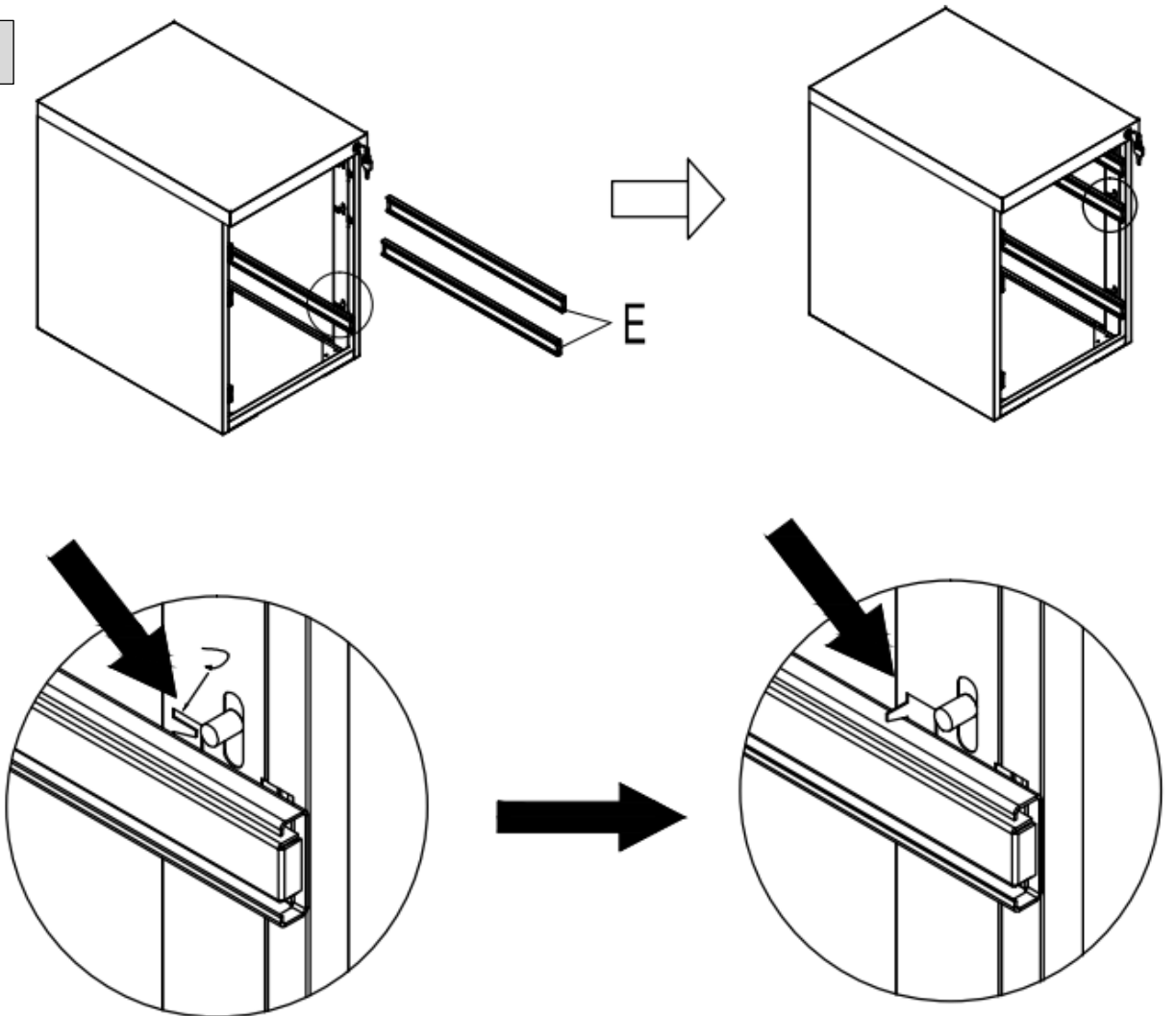
2. Use 4 screws J to install part B

STEP 3



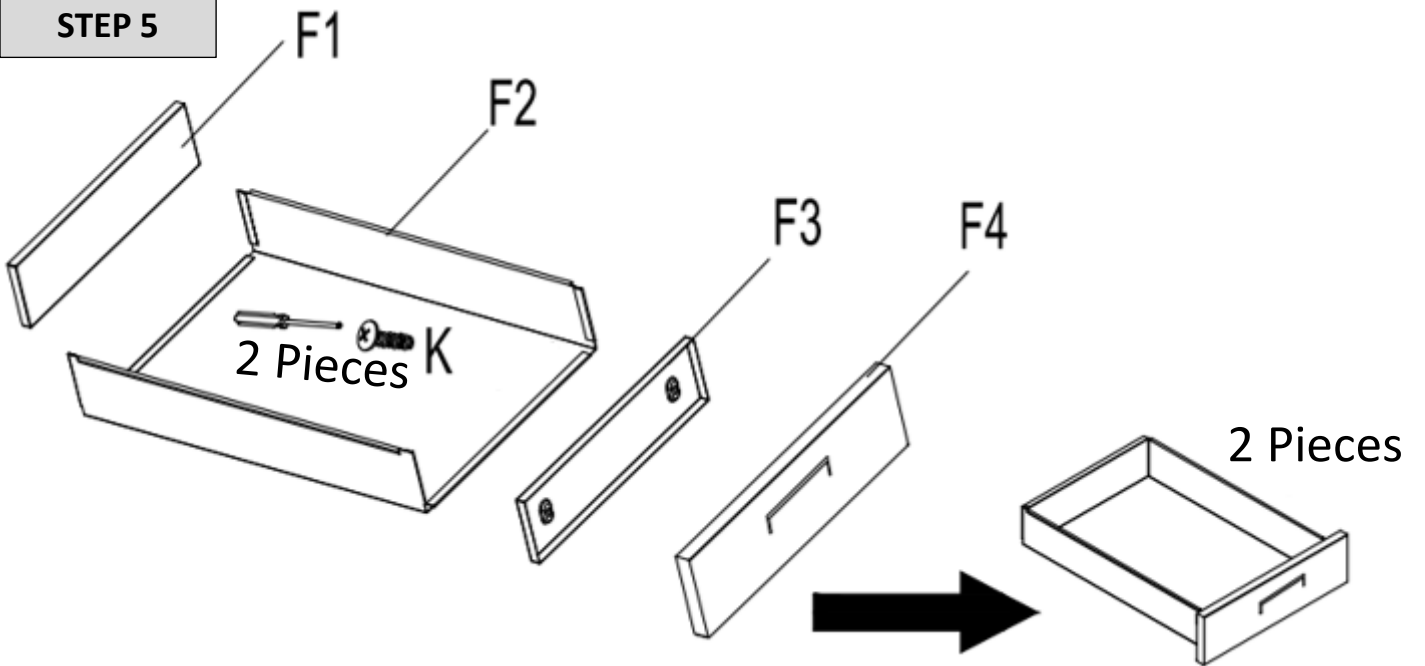
3. Install part A as shown in the picture

STEP 4



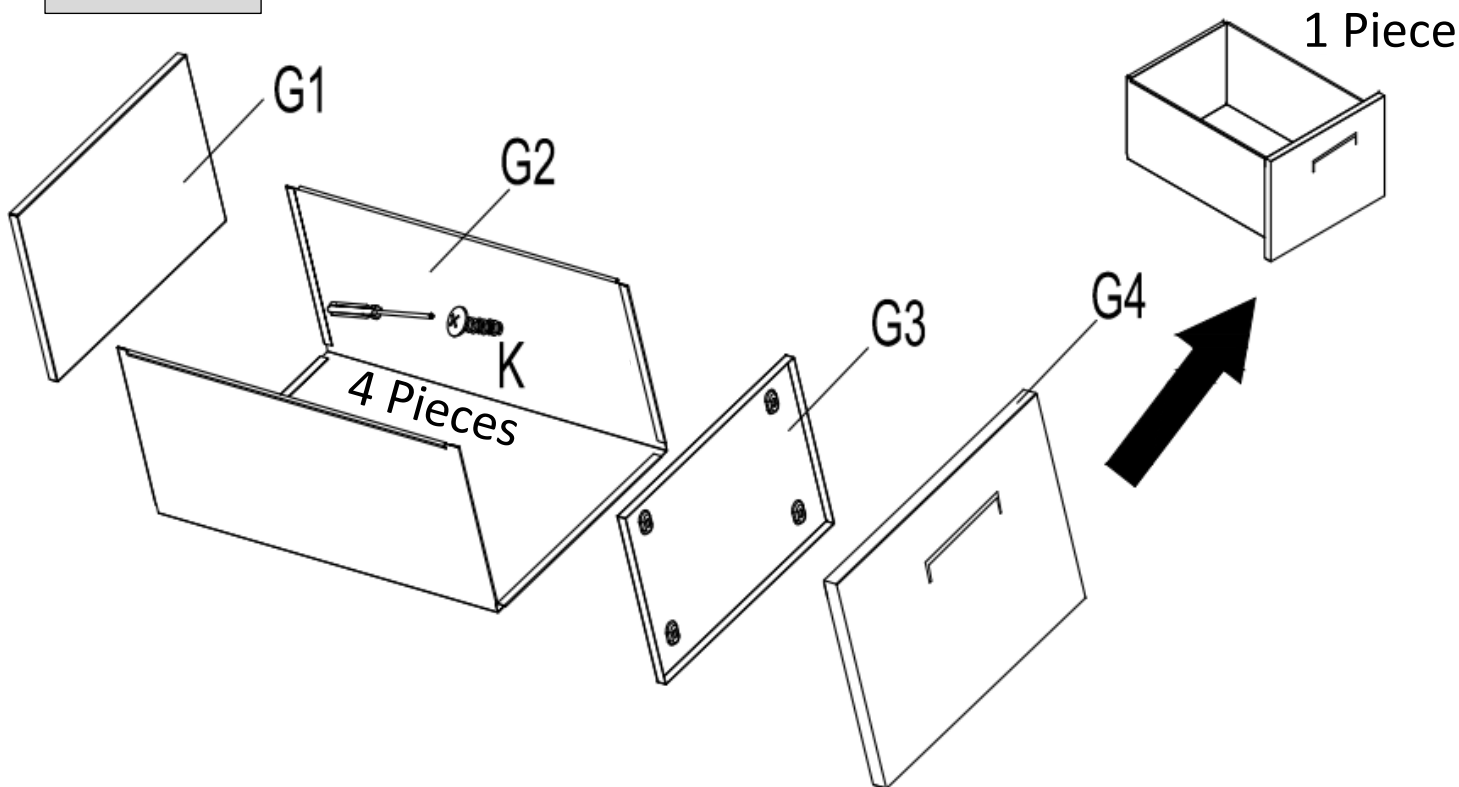
4. Install the Drawer Rail E onto the inner sidewalls of C1 and C2 as shown in the pictures

STEP 5



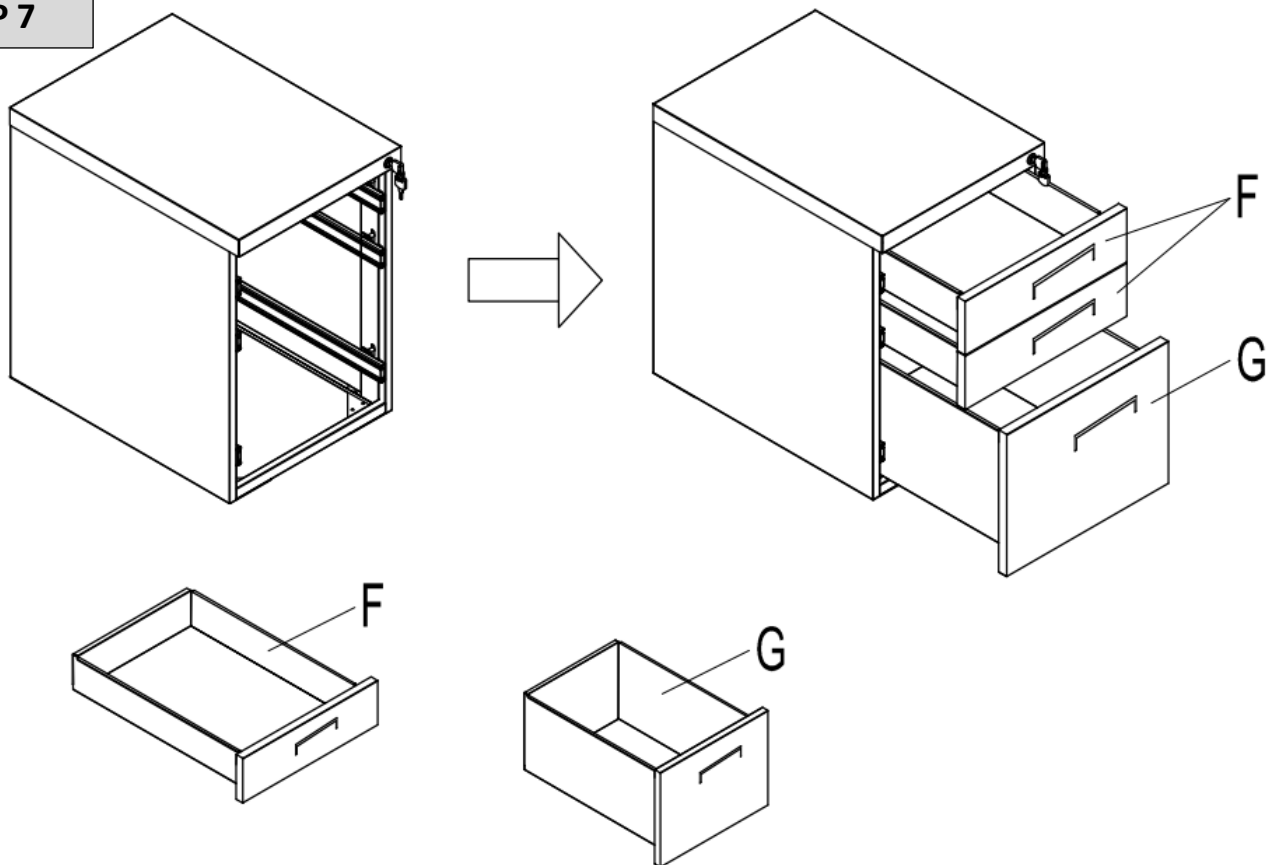
5. Assemble the Parts F (1-4) as pictured and install the Drawer Rails E on the sides of the drawers

STEP 6



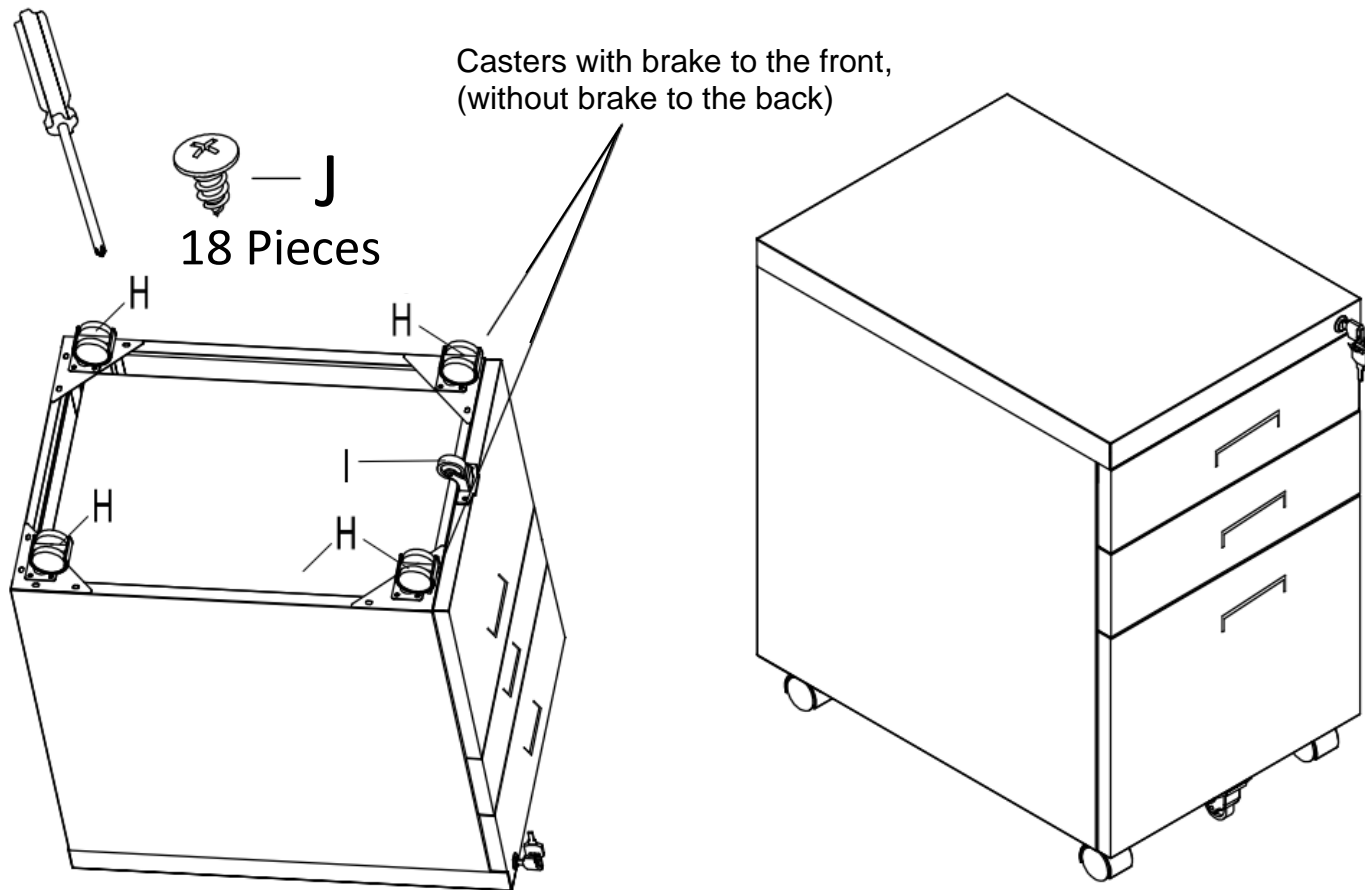
6. Assemble the Parts G (1-4) as pictured  
And install the Drawer Rails E on the sides of the drawer

STEP 7

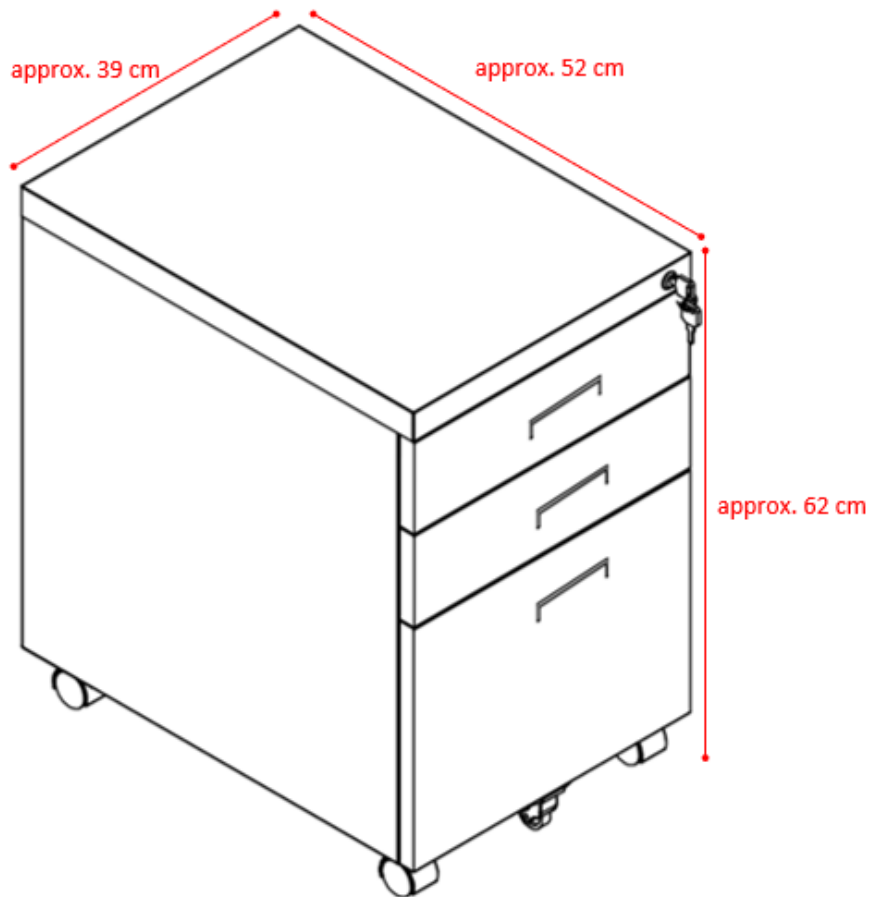


7. Put the drawers F and G into the corpus  
by connecting the two opposing parts of the rails F

**STEP 8**



8. Install the four casters H and the additional single-caster I on the container-bottom as pictured



**Installation-videos and further instructions**

for our products can be found on

[www.jet-line-e-trade.de](http://www.jet-line-e-trade.de)

Username: jet-line • Password: user2011

**Further products for your office**

can be found on

<https://office-shopping.eu>



**KBW Trading GmbH**  
Gewerbering 2  
88518 Herbertingen  
Deutschland  
Tel: 07586-921160  
Fax: 07586-9211616  
E-Mail: [info@jet-line.de](mailto:info@jet-line.de)  
[www.office-shopping.eu](http://www.office-shopping.eu)

