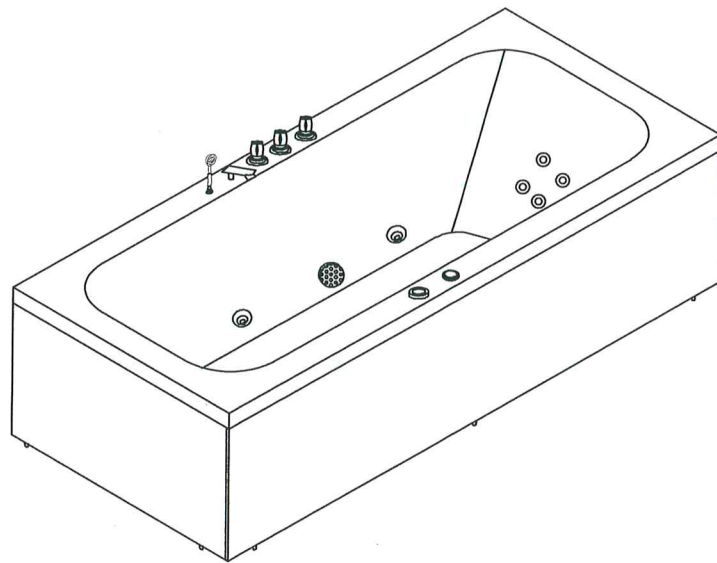


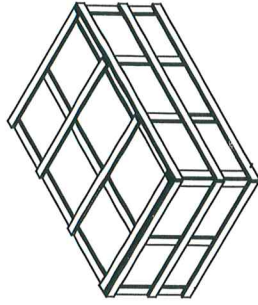
# Massage Bathtub

Instructions of Installation



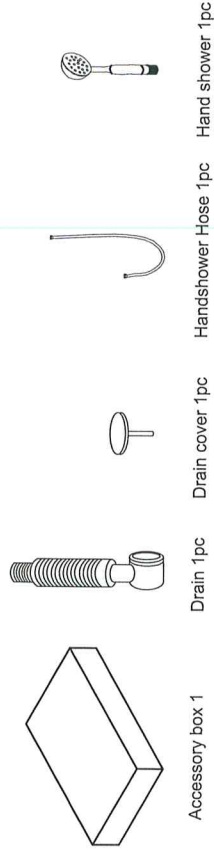
MODEL:MT-RT1701  
SIZE:1700\*750\*610mm  
MODEL:MT-RT1801  
SIZE:1800\*800\*610mm  
MODEL:MT-RT1901  
SIZE:1950\*800\*610mm

Dear Customer,  
Thank you for choosing our product. For your safe concern, please take a few minutes to read this manual before installation and use.



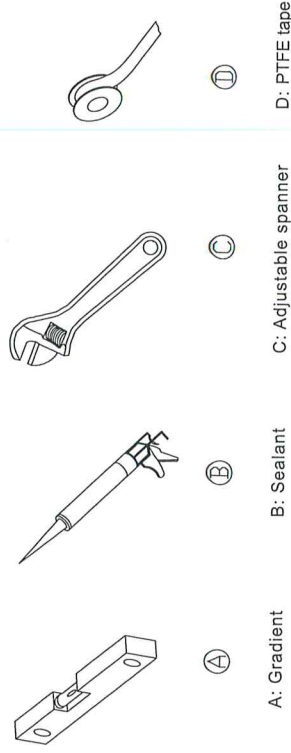
Please use tools to open the packing;  
Make sure all accessories are in the packing

Accessory Box :

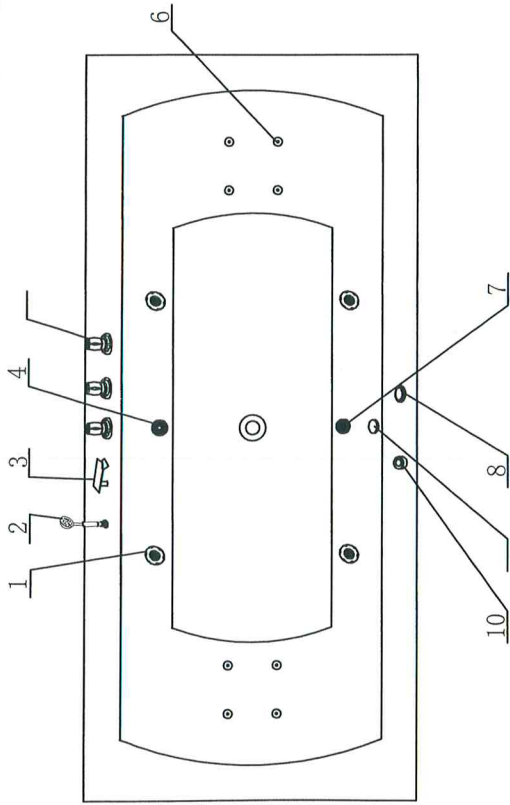


- WARNING**
1. Children and adolescent are only allowed to use the bathtub in accompany with an adult.
  2. People with hypertension, diabetes or cardiovascular diseases are not allowed to use the bathtub.
  3. Don't hit or rub the bathtub with a hard object to avoid damage and scratches.
  4. To avoid stumbling, please pay attention to the drop height when go in or out of the appliance.
  5. Watch out the appliance with suds to avoid slip.
  6. Don't use acidic and strong alkaline detergent, acetone, ammonia and so on. Clean with alkaline detergent and soft cloth.
  7. If the sealant falls off from the glass, please glue it immediately to avoid the leakage.

Installation Tools:(no included)



Bathtub Configuration



Item	Description	Item	Description
1	Big jet	2	Shower
3	T-Shape outlet	4	Suction
5	Faucet	6	Small jet
7	Underwater light	8	Regulator
9	Drainer switch	10	Airmotor Button

Installation of Electric Appliance

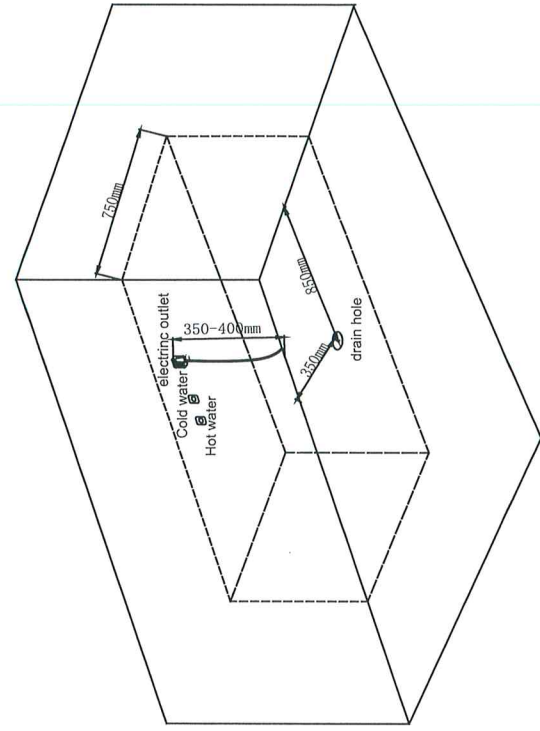
1. Electric Parameter

Rated Voltage	Rated Frequency	Max Rated Power	Rated Current
220V	50Hz	2600W	11.8A

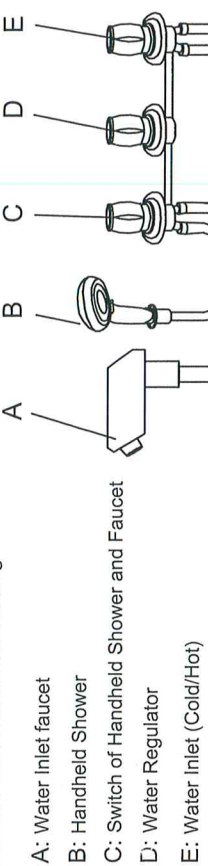
2. There should be electric-leakage protector on the power supply. Power lines must be fixed ones, which are with good ground line. The section of the electrical wire should not be less than 2.5 m<sup>2</sup>. The power supply appliance should be in accordance with the National Safety Standard. And connect the protective ground line on the ground line- mark of bathtub frame.

Installation of Electric Supply

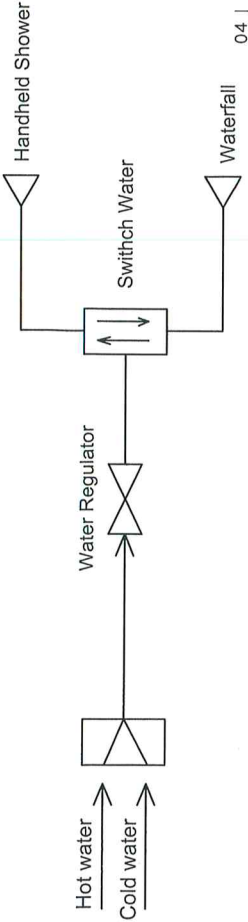
1. Electric connecting Way  
As picture shows below, connect the electric plug, which should be in the shelter of the bathtub's back.



2. Water Inlet Faucet Connecting

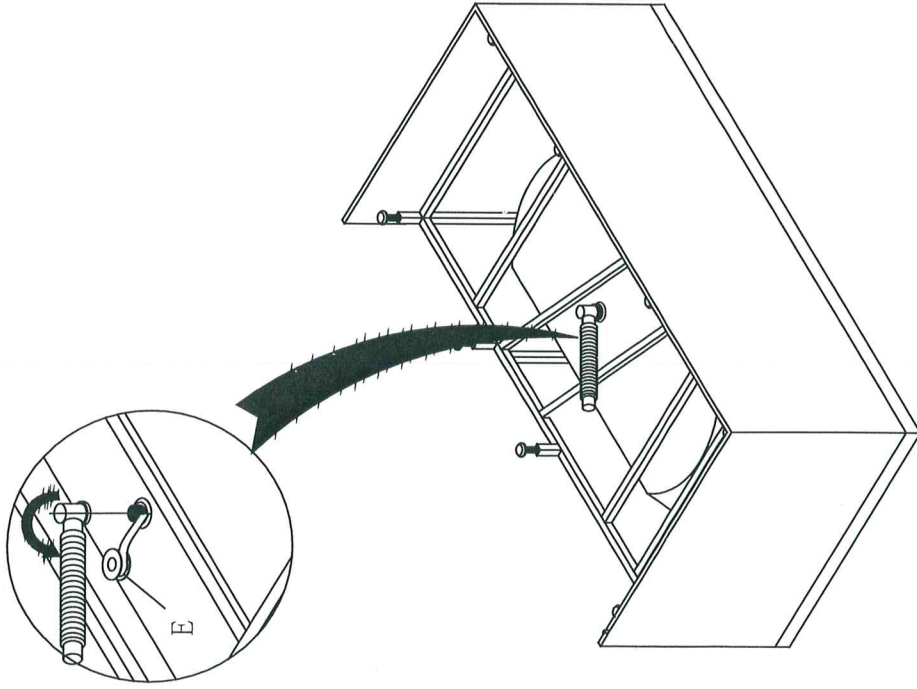


3. Water Supply Chart

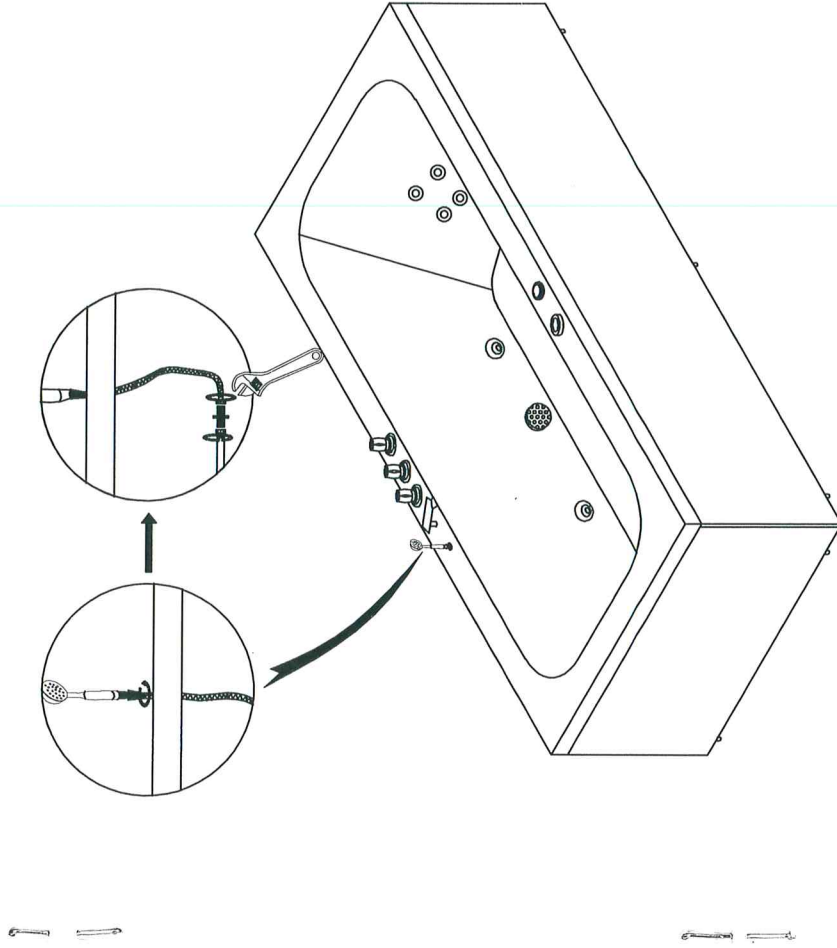


Installation of Bathtub

1. As the picture shows below, turn over the bathtub, wrap the drainer hole with thread PTFE tape, and then screw the drainer.

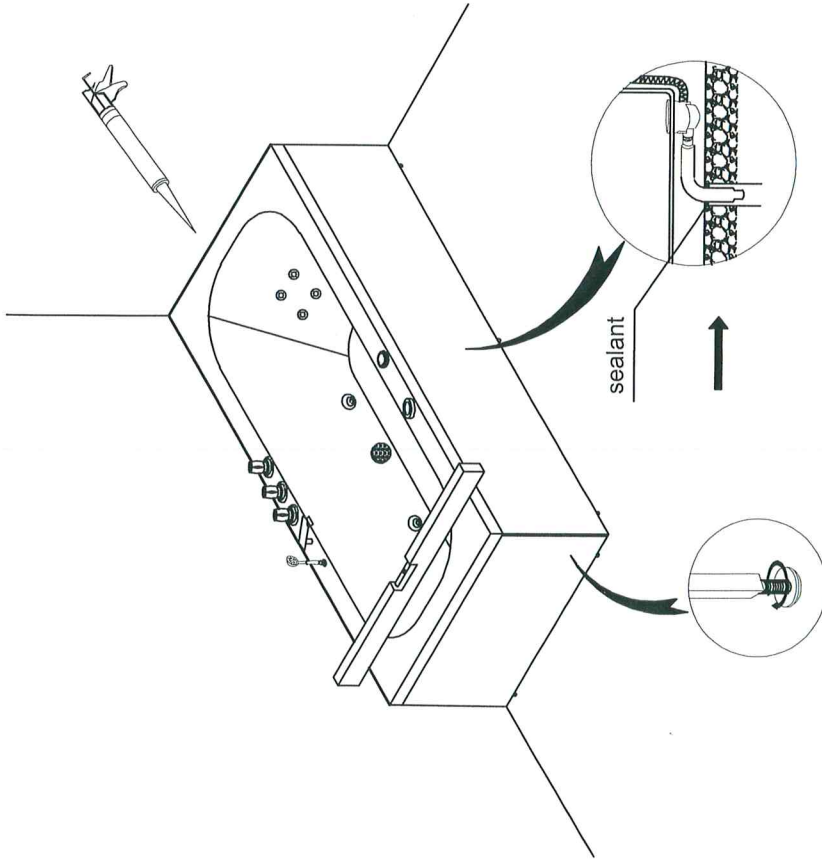


2. As the below picture: Install the water-inlet waterfall, then connect the water hose well.





- Adjust the tub feet to make the horizontal. Move the bathtub to the wall corner; put the drainer into sewer and seal the drainer with sealant. Seal the gap between the bathtub and the wall with sealant to avoid water leakage.



Usage

- Switch on the power supply
- Turn on the cold/hot water switch, and adjust to the suitable temperature. Use the switch to choose the faucet or handheld shower to let water in.
- Don't press the water pump switch unless the water level in the bathtub reach to or higher than the jets position.
- Use air regulator to adjust the massage power.
- Rotate the handheld shower to adjust the massage effecton.
- Use light switch to turn on/off the underwater light.
- Press pneumatic switch, turn off the pumps, and drain the water after use.
- Turn off power supply.

Troubleshooting

Trouble	Possible Reason	Try this to solve
Water pump Don't work.	Power supply is not well connected, the leakage protector disconnect . Water pump impeller was stuck by sundries. The water pump switch is off. Power supply plug don't insert or no enough power supply. Water pump trouble. No enough power supply.	Turn on the power supply, and connect the leakage protector . Clean the water pump impeller. Press the water pump switch. Plug the power supply in. Repair or replace the water pump. Check the circuitry and plug the power supply in.
Air pump don't work.	Switch is off. Power supply plug don't insert. Voltage problem.	Press the air pump switch. Plug the power supply in. Check voltage.
Massage power can't be adjusted.	Adjust switch is off or has problem. Water Circulation is blocked.	Check, replace the switch. Clean the water circulation.
Bathtub don't stand horizontally.	Adjustable foot is not well-adjusted.	Adjust the Adjustable foot.
Water leakage.	Obturator ring is not good. Nut is loose. Connect part is not well connected.	Replace the obturator ring. Screw down the nut. Pay attention to the connect part conglutination

## Cleaning & Maintenance

1. Use general liquid detergent and soft cloth for daily cleaning. Don't use detergent that with acetone or ammonia. Disinfectant with formic acid and formaldehyde is forbidden during disinfection.
2. If there is scratch on the bathtub surface, use 2000# waterproof abrasive paper to polish it and lay toothpaste on. Then use soft cloth to furbish it.
3. Scale deposit can be wiped off with warm citric acid or vinegar by a soft cloth.
4. Screw off the Water Circulation and jets for cleaning when plug up by litter, such as hair
5. Frequent cleaning is not necessary for the parts gilded and silver-gilt
6. Don't clean the tub with hard or coarse material to avoid any scratches; and don't clean the tub by detergent with chemical menstuum to avoid any damages.
7. Be sure to drain off the water and disconnect the power supply after use
8. Don't hit and score the bathtub by hard or keen-edged material. And don't touch the bathtub by cigarette end or heat source that over 70°C
9. Water massage system cleaning: fill the bathtub with 40°C hot water, and add detergent(2g/L). Then run the water massage system for 5 minutes. After that, stop the pump and drain the water. Fill the bathtub with cold water, and run the water massage system for 3 minutes. Clean the bathtub after stopping the pump and draining off the water.

## Precautions

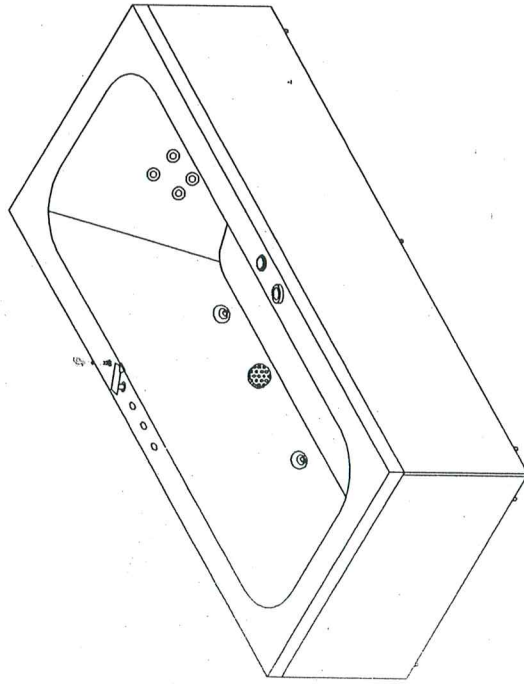
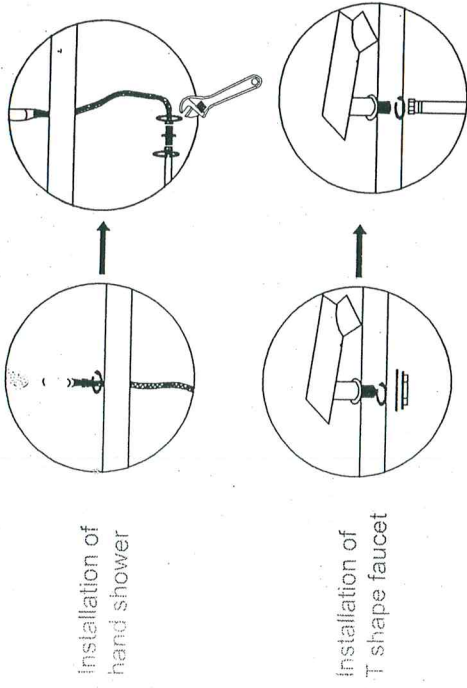
1. The installation should be carried out by a qualified technician, and should be according to the manual.
2. The appliance electric parameter should be tally with the National Safety Standard. And there should be creepage protector on the power supply. Make sure the ground wire is safe. Don't touch the switch, electrical outlet and plug with water.
3. Don't use overheated water. Put cold water first, then hot water. Don't run the appliance until the water level is higher than the jets.
4. The rated voltage of this appliance is 220V. Don't run it when the voltage is over 235V or under 190V.
5. Disconnect the power supply after use
6. Don't take a bath for a long time. Recommended time: less than 30 minutes
7. Please restart the appliance for occasional system halt
8. If the supply cord is damaged, it must be replaced by the manufacturer, its service gent or similarly qualified persons in order to avoid a hazard.
9. This manual is attached with the product. Before installation, please read it carefully. All the installation and use should conform to this manual, to avoid damage or other accident.

## Caution:

1. When the bathtub can't work, please check according to the troubleshooting list. If you can't judge the reason or unable to repair it, please contact us.
2. To insure the customers' safety, the installation should be carried out by a qualified technician. Please use eligible creepage protector. The ground wire should be well connected to the ground.

## Installation Process

1. As the picture shown below, install the T shape faucet and hand shower and then connect them on the water hose.



## Installation Process

2. Install drum faucet and then connect to water hose.

