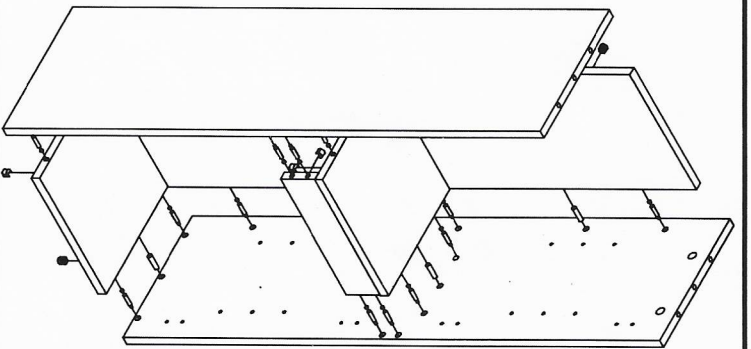
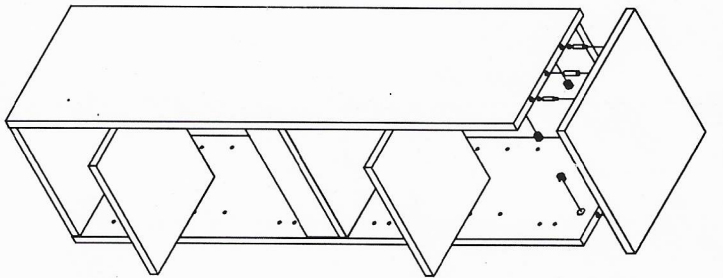


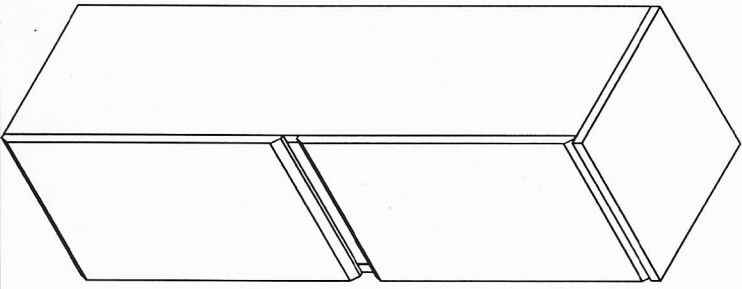
1



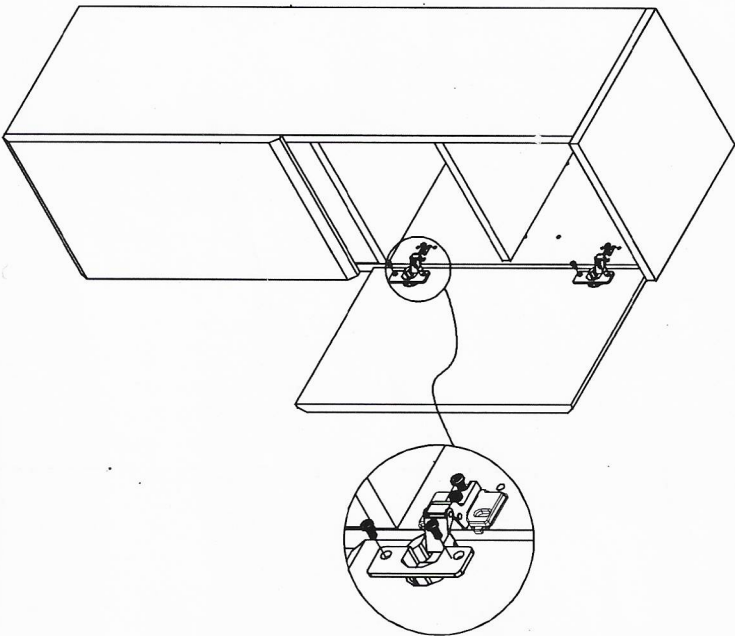
2



3



4



5

A		(ϕ 8x32)	x23
B		(ϕ 15)	x23
C		(ϕ 8x40)	x10
D			x4
E			x2
F		(4x16)	x6
G		(3.5x14)	x24
H			x8
I			x16
J			
K			
L			
M			
N			
O			
P			
Q			

Aiger
BLG1100-S
Side Cabinet