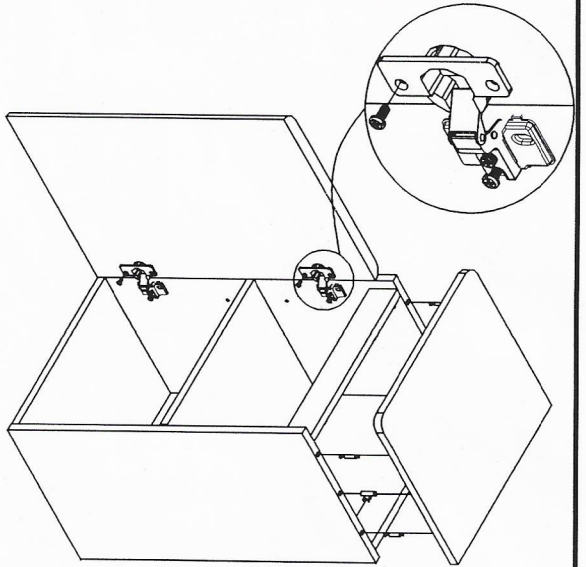
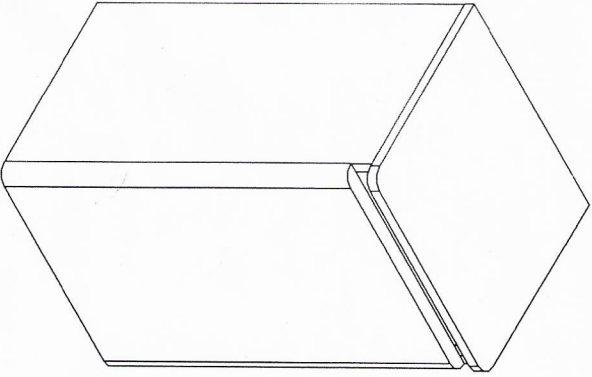


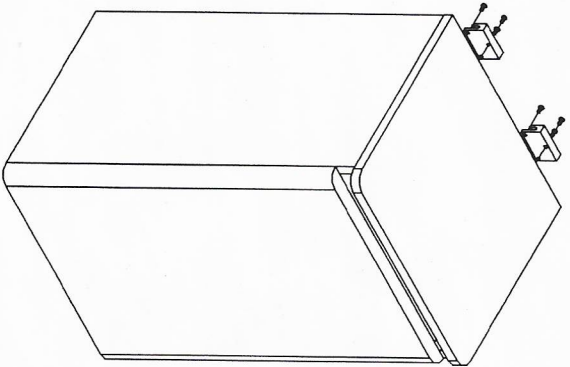
1



2



4



3

A  $\phi 8 \times 32$ x16

B  ($\phi 15$) x16

C  ($\phi 8 \times 40$) x6

D  x2

E  x2

F  (3.5x14) x12

G  (4x16) x4

H  x4

I  x8

J

K

L

M

N

O

P

Q

BLG-A900-1
Side Cabinet 2
Uetwiel